



- 10/100/1000 Gigabit Base-T for Ethernet Applications
- Industrial Operating Temp: -40°C to +85°C
- Transmit open circuit inductance (OCL): 350µH (MIN) @ 100KHz, 0.1Vrms with 8mA DC Bias
- Meets IEEE 802.3 specification
- RJ45 jack cavity conforms to FCC rules and regulations Part 68, SUB Part F

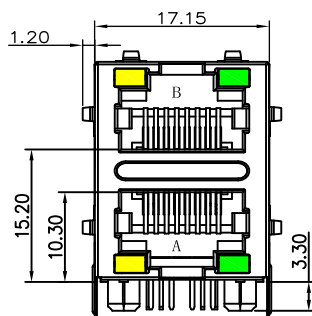


Electrical Specifications @ 25°C					
OCL(µH Min) @ 100kHz, 0.1V With 8mA DC Bias	Turns Ratio	DC Resistance	Cross Talk (dB Min)		
			1-10MHz	15-60MHz	60-100MHz
350	1:1 ±3%	-1.2Ω Max	-35	-26	-24

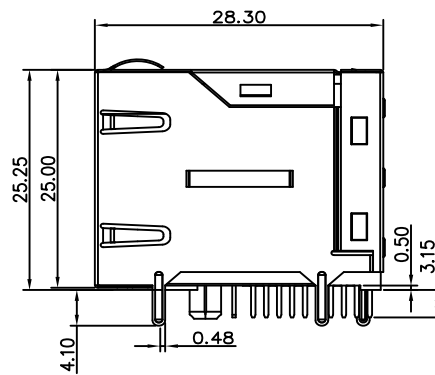
Electrical Specifications @ 25°C						
Insertion Loss (dB Max)	Return Loss (dB Min) @ Load 100Ω			Common Mode Rejection (dB Min)		Hipot Vrms Min
	1-100 MHz	1-30MHz	30-60MHz	60-80MHz	1-60MHz	
-1.0	-18	-14	-12	-40	-30	1500

\*All specifications subject to change without notice.

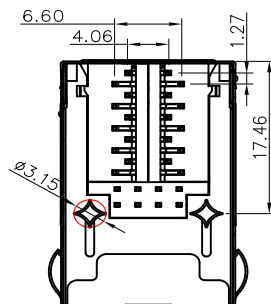
MECHANICAL



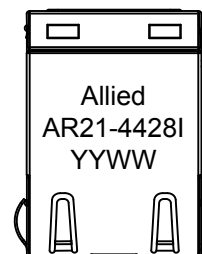
Front View



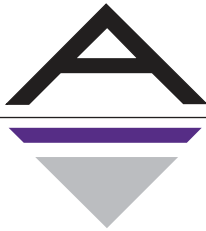
SideView



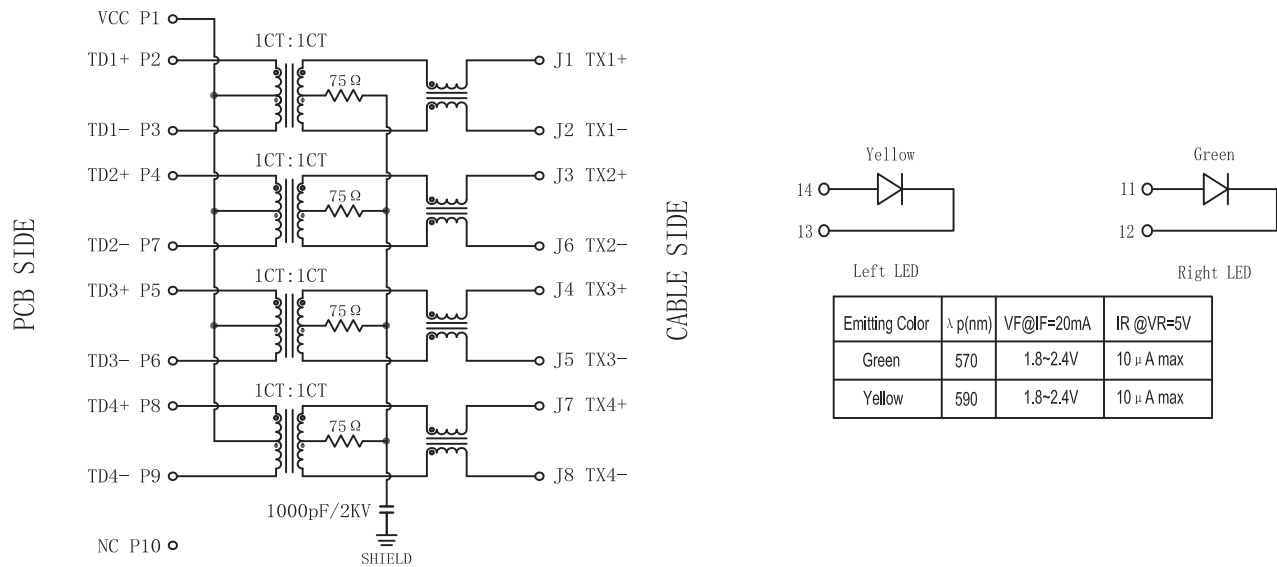
BottomView



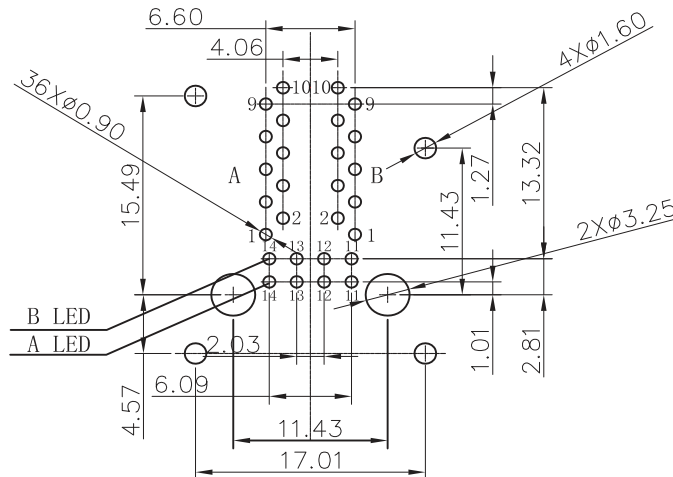
Top View



**SCHEMATICS**



**PCB LAYOUT**



**NOTES**

- Connector Materials:  
 Housing Material: Thermoplastic PBT+30%G. F UL94V-0  
 Contact Material: Phosphor Bronze C5210R-EH Thickness 0.35mm  
 Pins: Brass C2680R-H Thickness 0.35mm  
 Shield: Copper Alloy Brass H65Y Thickness 0.20mm  
 Shield Plating: Nickel  
 Contact Plating: Gold 6 $\mu$ ” min in contact area
- Wave Solder Tip Temperature: 265°C Max, 5 Sec Max