

ONLY MAJOR COMPONENTS ARE MODELED

UNLESS OTHERWISE SPECIFIED:
DIMENSIONS ARE IN MM
.XX = ±0-
.XXX = ±.00- ANGULAR ∠ = ± °
.XXXX = ±.000- FRACTIONAL = ±

SURFACE FINISH ✓

DO NOT SCALE DRAWING

BREAK ALL SHARP EDGES AND REMOVE BURRS

THIRD ANGLE PROJECTION

	NAME	DATE
DRAWN	G.O	2016-02-11
CHECKED		
APPROVED		
MATERIAL	FINISH	

ONION CORPORATION		
TITLE		
MINI DOCK		
SIZE	DWG NO.	REV.
B	OM-D-MIN	A
SCALE	WEIGHT	SHEET
2:1		1 of 5

4

3

2

1

D

D

C

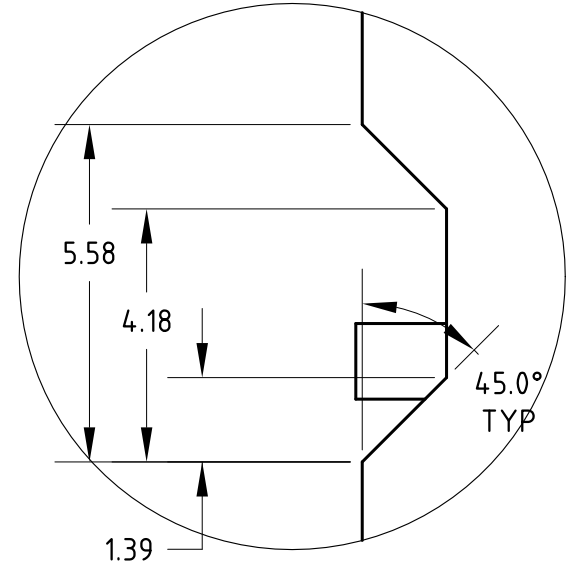
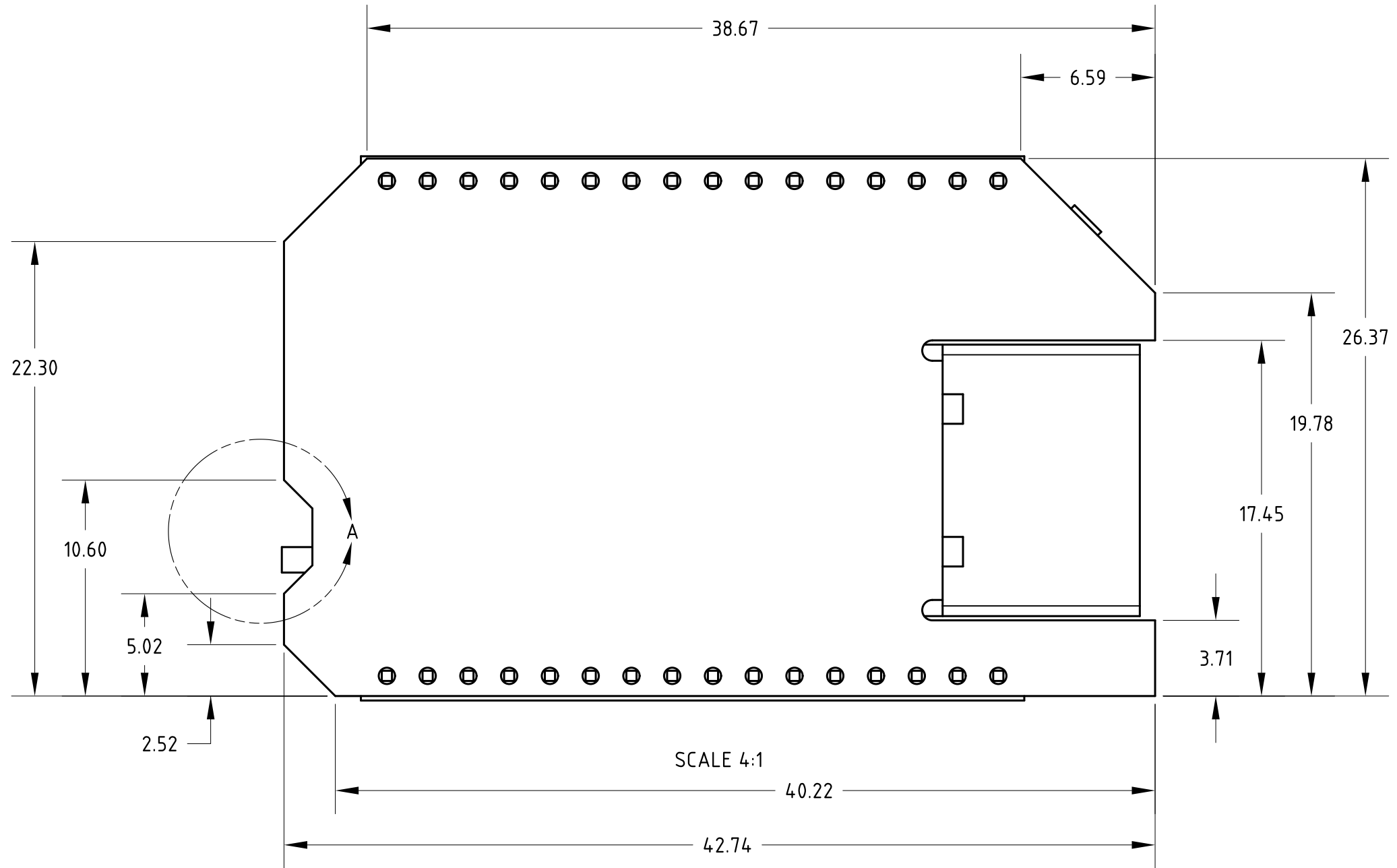
C

B

B

A

A



DETAIL A
SCALE 8:1

BOARD OUTLINE
(BOTTOM VIEW)

4

3

2

1

4

3

2

1

D

D

C

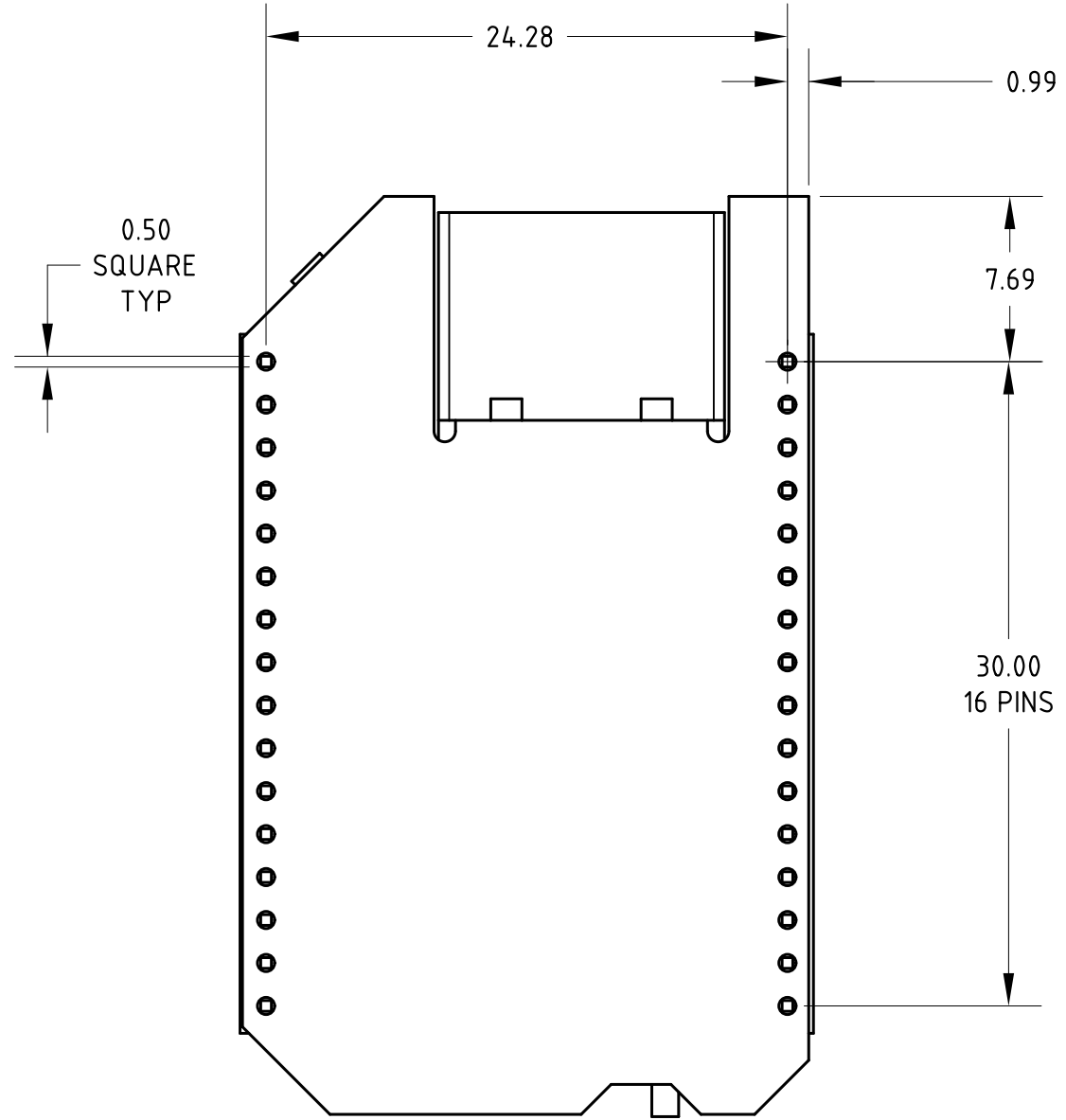
C

B

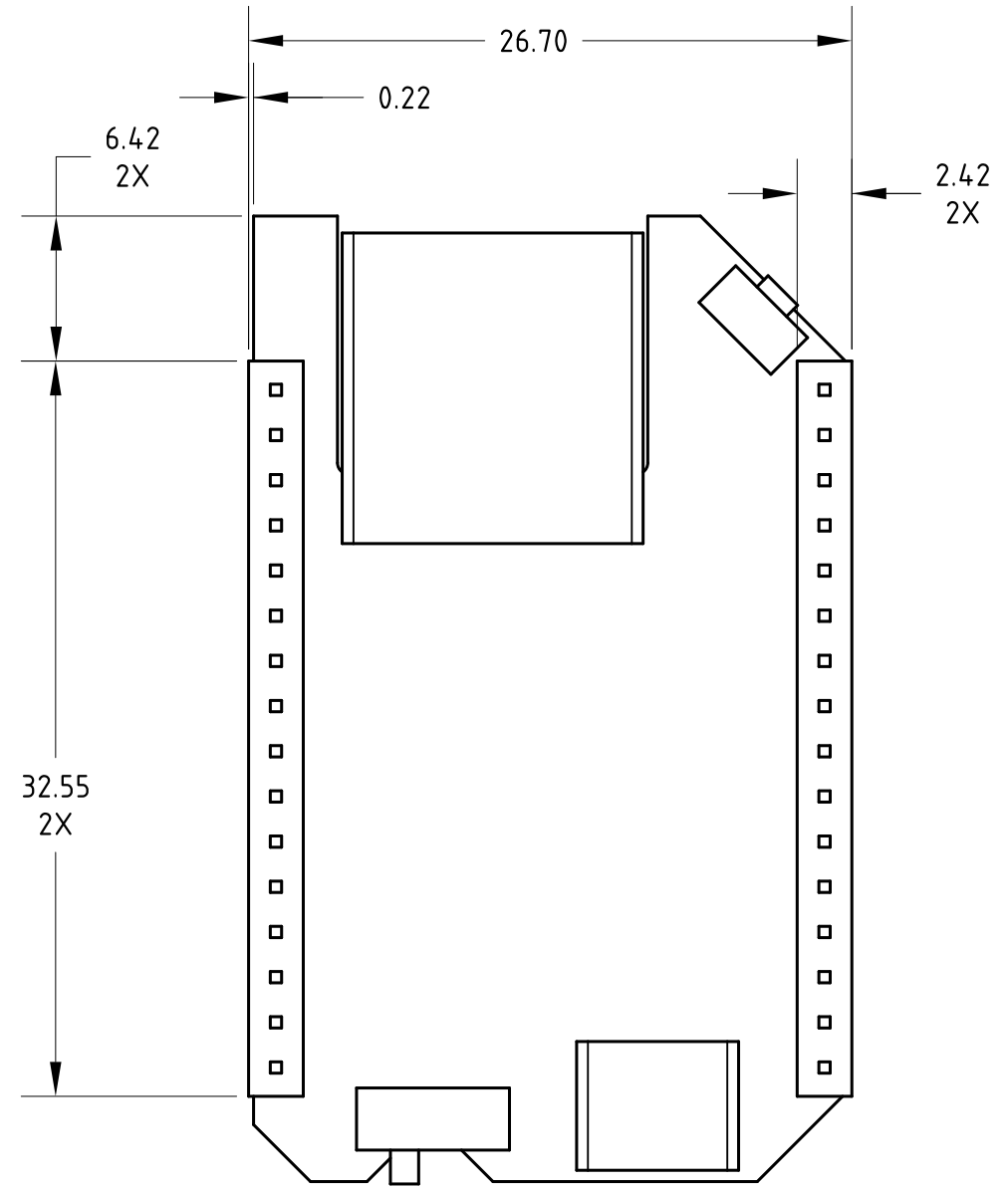
B

A

A



PIN DETAIL
(BOTTOM VIEW)



PIN DETAIL
(TOP VIEW)

4

3

2

1

4

3

2

1

D

D

C

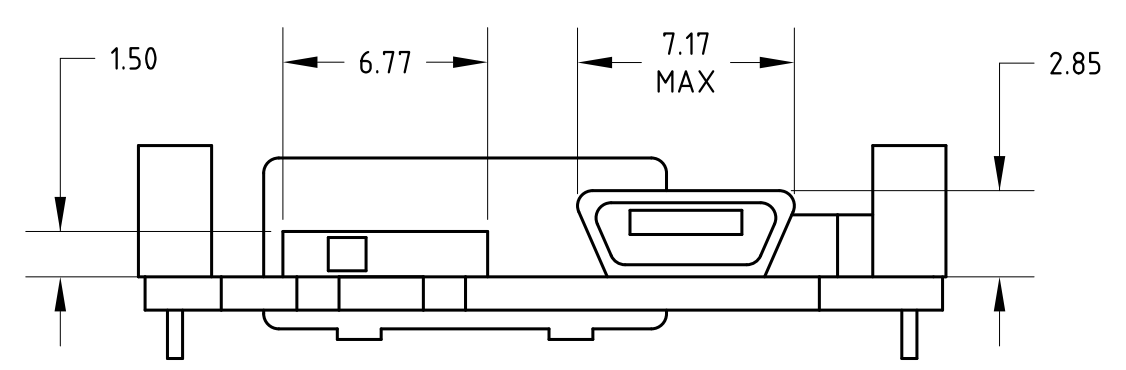
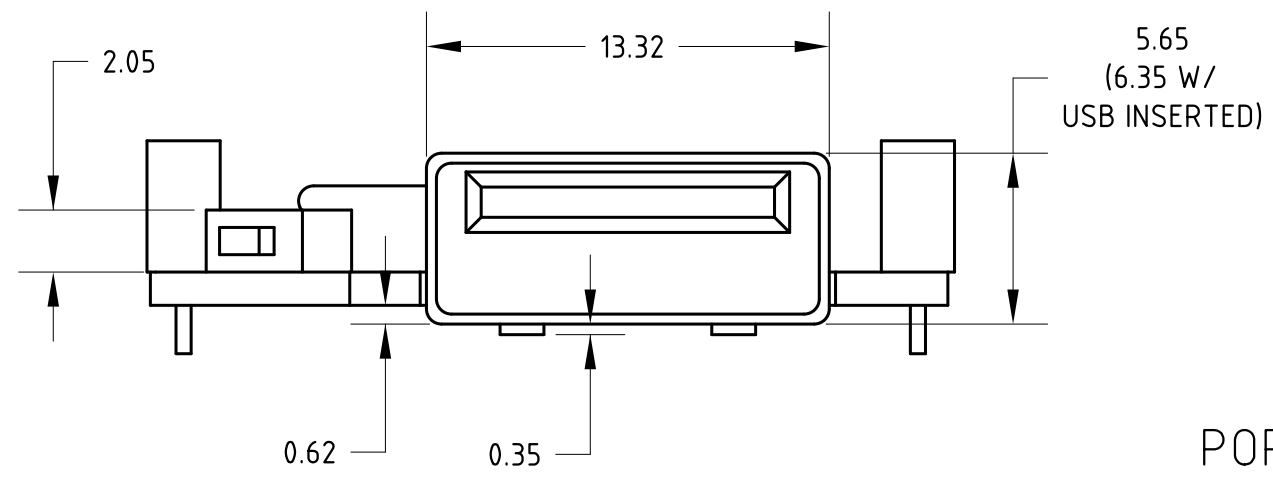
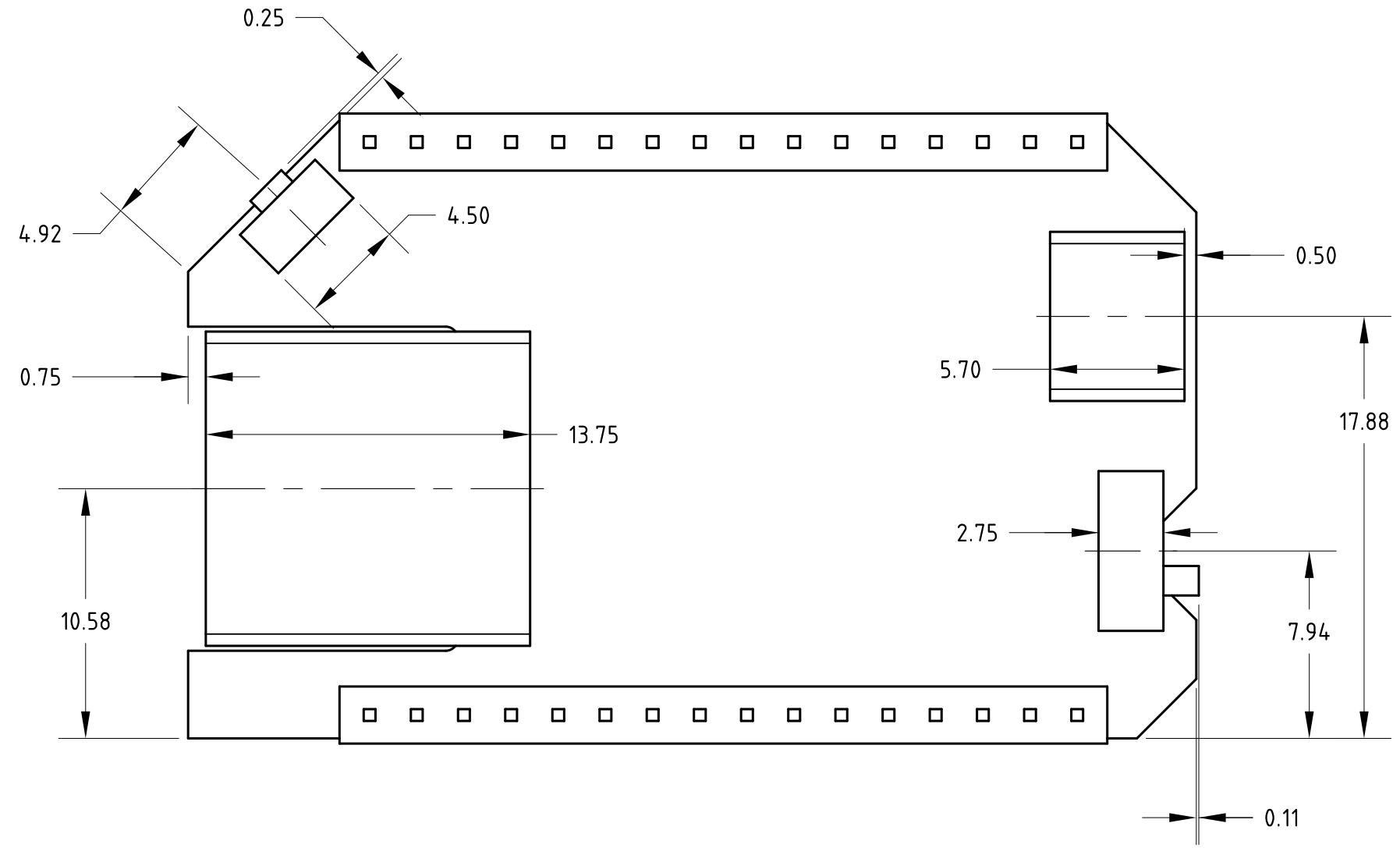
C

B

B

A

A



PORT AND SWITCH
DETAIL

4

3

2

1

4

3

2

1

D

D

C

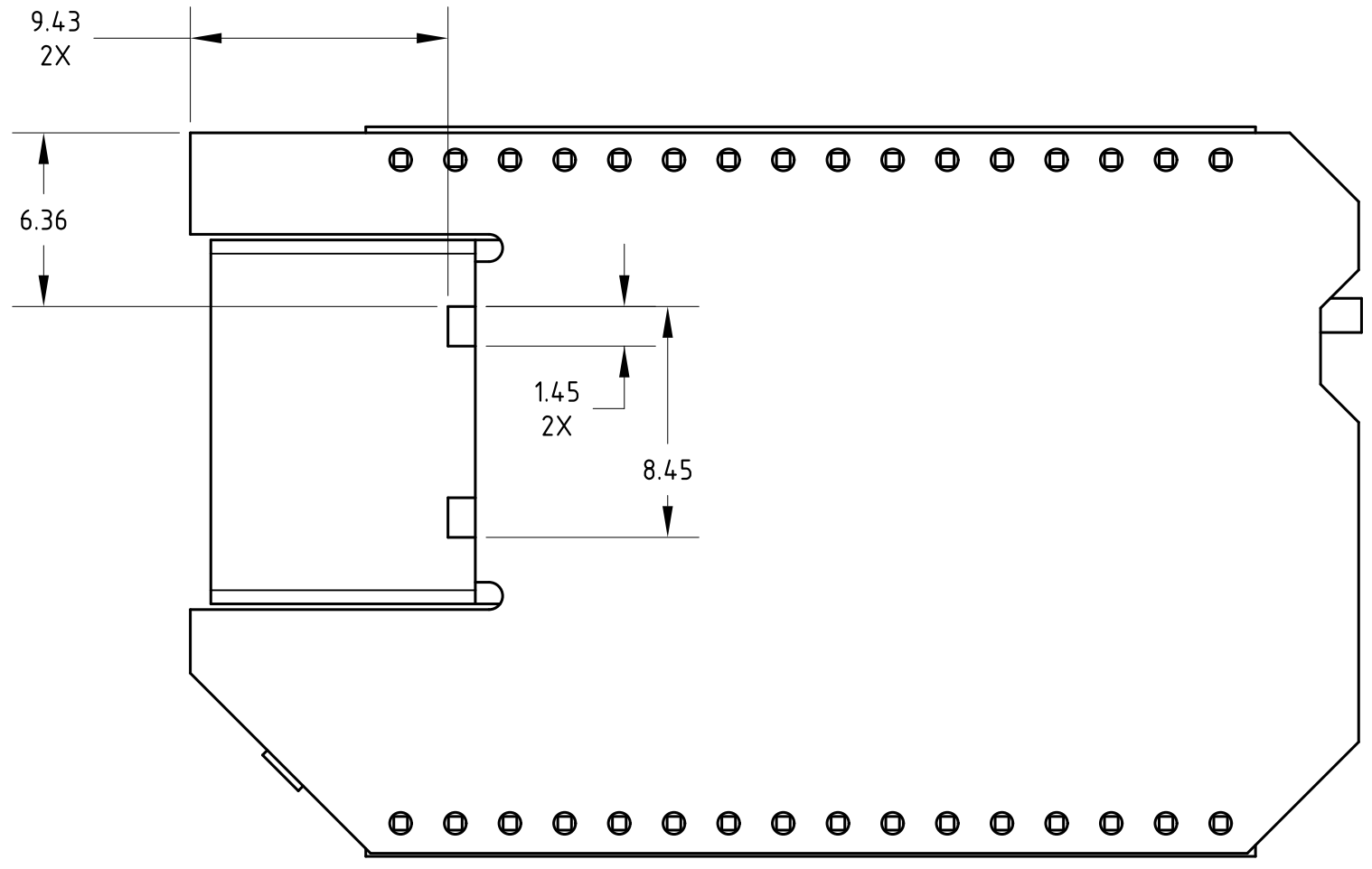
C

B

B

A

A



USB BOTTOM
DETAIL

4

3

2

1