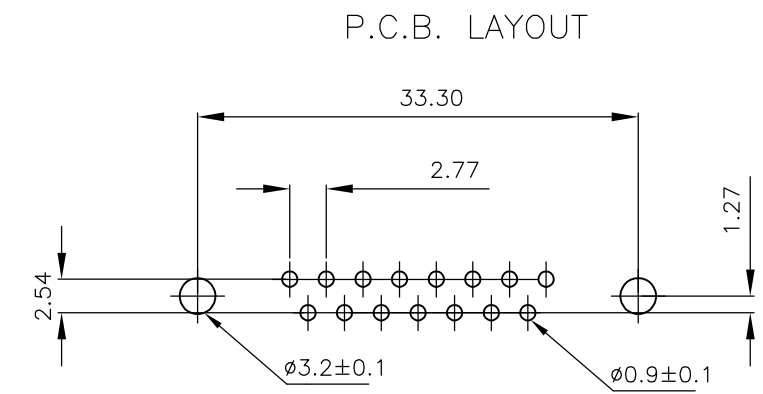
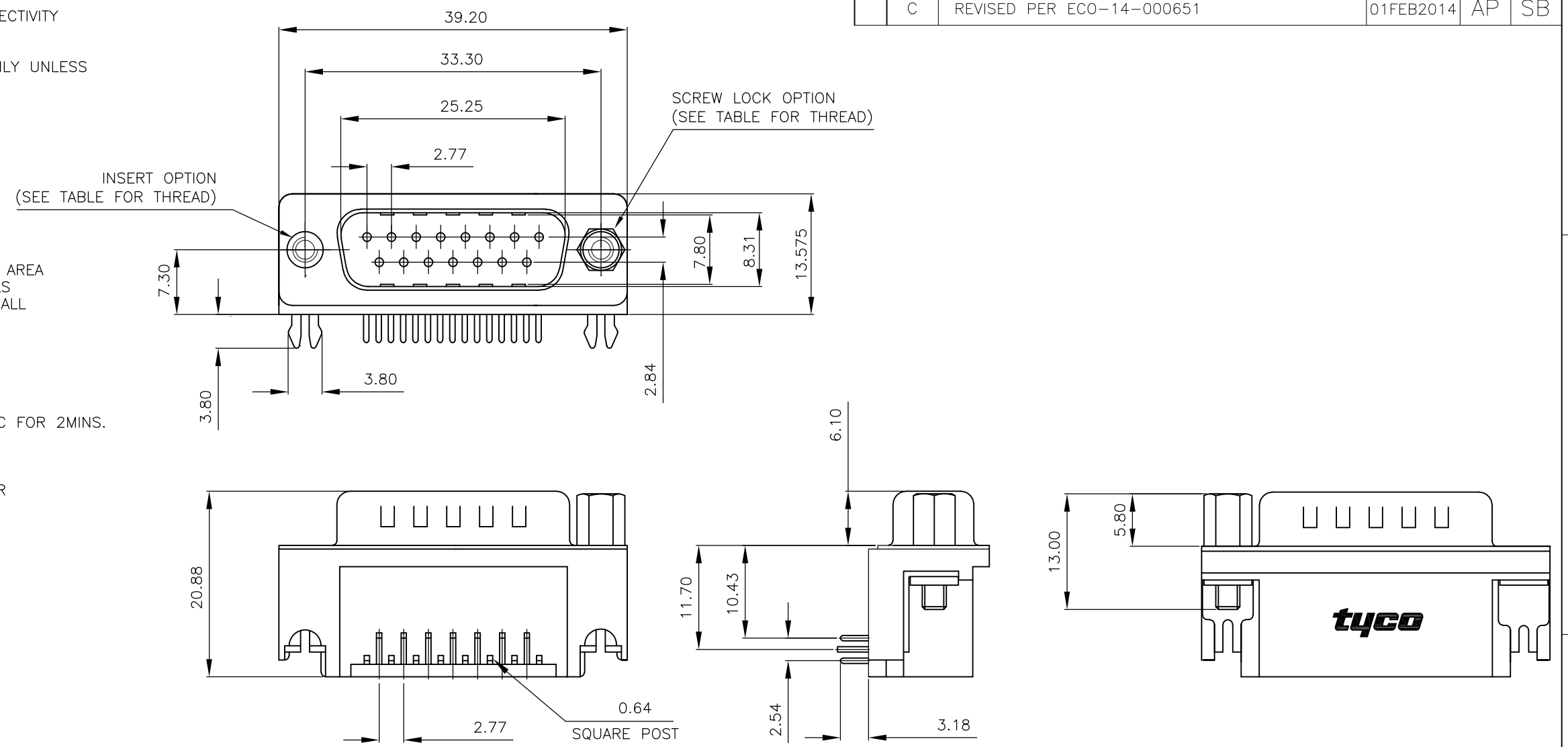


THIS DRAWING IS UNPUBLISHED. RELEASED FOR PUBLICATION OCT ,2003.
 © COPYRIGHT 2003 By - ALL RIGHTS RESERVED.

LOC	DIST	REVISIONS			
P	LTR	DESCRIPTION	DATE	DWN	APVD
E	B	C	REVISED PER ECO-14-000651	01FEB2014	AP SB

- FOR LOCAL DATA REFER TO YOUR LOCAL TE CONNECTIVITY SALES OFFICE.
 - ALL DIMENSIONS ARE NOMINAL FOR REFERENCE ONLY UNLESS OTHERWISE STATED.
 - MATERIAL :
 HOUSING : THERMOPLASTIC, UL94V-0
 BLACK COLOR
 CONTACTS : BRASS
 SHELL : STEEL
 BOARDLOCK : BRASS
 SCREW : BRASS
 - FINISH :
 CONTACT : 0.38µm MIN.GOLD PLATED ON CONTACT AREA
 2.54µm MIN. TIN PLATED ON SOLDER TAILS
 1.27µm MIN. NICKEL UNDERPLATED OVERALL
 SHELL : 2.54 µm MIN NICKEL PLATED.
 BOARD LOCK : 1.52µm MIN. TIN PLATED
 SCREW : 1.27µm MIN. NICKEL PLATED.
 - CHARACTERISTICS
 CURRENT RATING : 5A
 INSULATION RESISTANCE : 1000MOHMS MIN, 500VDC FOR 2MINS.
 TEMPERATURE RATING : -55DEGC ~ +105DEGC
 VOLTAGE RATING : 250VDC
- 6 OBSOLETE PARTS: OBSOLETE CIS STREAMLINING PER D.RENAUD/D.SINISI.



6 OBSOLETE	15 WAY D PLUG WITH BOARD LOCKS & 2 x M3 SCREW LOCKS, 0.38µm GOLD, RIGHT ANGLE	4-1634581-2
	15 WAY D PLUG WITH BOARD LOCKS & 2 x 4-40 SCREW LOCKS, 0.38µm GOLD, RIGHT ANGLE	3-1634581-2
6 OBSOLETE	15 WAY D PLUG WITH BOARD LOCKS & 2 x M3 INSERTS, 0.38µm GOLD, RIGHT ANGLE	2-1634581-2
	15 WAY D PLUG WITH BOARD LOCKS & 2 x 4-40 INSERTS, 0.38µm GOLD, RIGHT ANGLE	1-1634581-2
	DESCRIPTION	PART NO.

THIS DRAWING IS A CONTROLLED DOCUMENT.		DWN J.SANDWELL 15SEP2003	TE Connectivity			
DIMENSIONS: mm		CHK S.EBBUTT 15SEP2003				
TOLERANCES UNLESS OTHERWISE SPECIFIED:		APVD F.WHEELER-KING 15SEP2003	NAME 15 WAY D-SUB PLUG WITH BOARD LOCK			
0 PLC ± - 1 PLC ± - 2 PLC ± - 3 PLC ± - 4 PLC ± - ANGLES ± -		PRODUCT SPEC -	APPLICATION SPEC -			
MATERIAL SEE NOTE		FINISH -	SIZE A3	CAGE CODE 00779	DRAWING NO C-1634581	RESTRICTED TO -
CUSTOMER DRAWING			SCALE NTS	SHEET 1 OF 2	REV C	

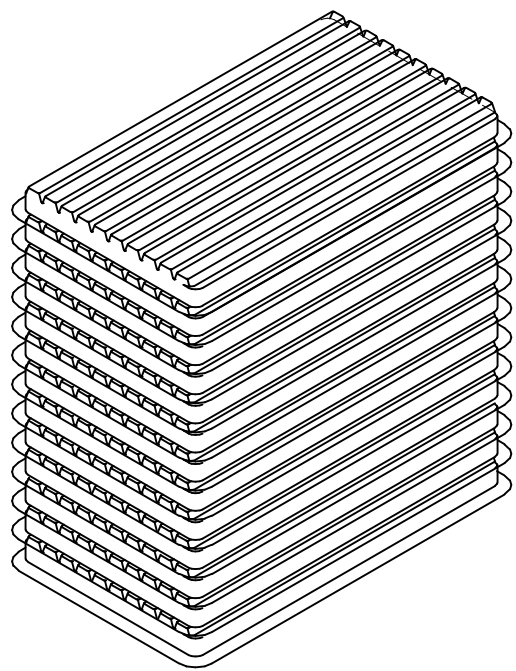
THIS DRAWING IS UNPUBLISHED.

RELEASED FOR PUBLICATION OCT , 2003.

© COPYRIGHT 2003 By -

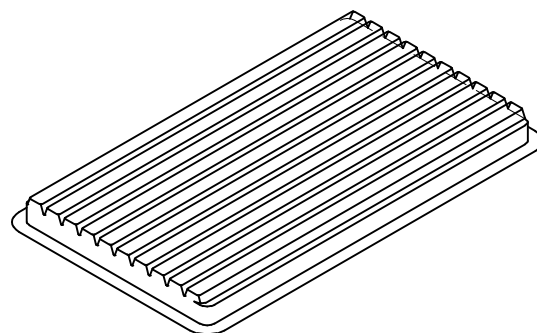
ALL RIGHTS RESERVED.

LOC	DIST	REVISIONS			
P	LTR	DESCRIPTION	DATE	DWN	APVD
	-	SEE SHEET 1	-	-	-

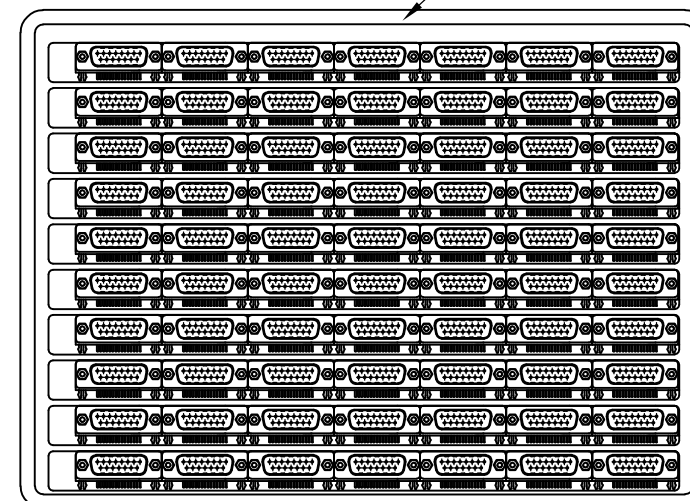


- 1 DIMENSION:
TRAY:L=310,W=220,H=23
SHIPPING BOX:L=335,W=230,H=320
- 2 QUANTITY:
70 PCS/TRAY
13 TRAY/SHIPPING BOX

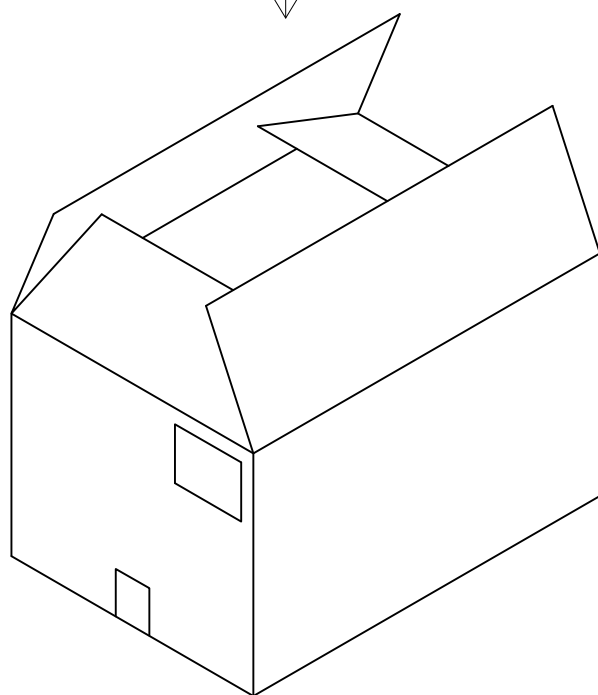
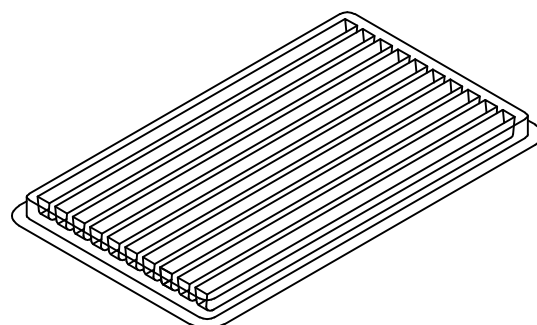
COVER


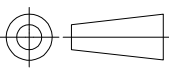


Tray Layout



TRAY



THIS DRAWING IS A CONTROLLED DOCUMENT.		DWN J.SANDWELL 15SEP2003	 TE Connectivity				
DIMENSIONS: mm		CHK S.EBBUTT 15SEP2003					
		APVD F.WHEELER-KING 15SEP2003	NAME 15 WAY D-SUB PLUG WITH BOARD LOCK				
TOLERANCES UNLESS OTHERWISE SPECIFIED:		PRODUCT SPEC	-				
0 PLC ± - 1 PLC ± - 2 PLC ± - 3 PLC ± - 4 PLC ± - ANGLES ± -		APPLICATION SPEC	-				
MATERIAL SEE NOTE		FINISH -	WEIGHT -	SIZE A3	CAGE CODE 00779	DRAWING NO C-1634581	RESTRICTED TO -
CUSTOMER DRAWING			SCALE NTS	SHEET 2 OF 2	REV C		