

Description: 2012 LB/ JB-HB Diplexer

PART NUMBER: DPX2012LKGG0920L

Features:

- Compact Size
- Low loss
- High Soldering Heat Resistance

Applications:

- For LTE application.

ELECTRICAL SPECIFICATIONS

Low-Band

Item	Frequency Range(MHz)	Min.	Typ.	Max.
Insertion Loss (dB)	699~960	-	0.64	0.75
Return Loss (dB)	699~960	10.0	16.4	-
Attenuation (dB)	1427~2690	25.0	29.7	-

High-Band

Item	Frequency Range(MHz)	Min.	Typ.	Max.
Insertion Loss (dB)	1427~1496	-	0.62	0.75
	1710~1995	-	0.44	0.60
	2010~2690	-	0.52	0.65
Return Loss (dB)	1427~1496	10.0	21.9	-
	1710~1995	10.0	20.8	-
	2010~2690	10.0	21.5	-
Attenuation (dB)	699~915	20.0	22.7	-
	915~960	17.0	22.7	-
	3420~3820	3.0	5.6	-

Common

Item	Frequency Range(MHz)	Min.	Typ.	Max.
Return Loss (dB)	699~960	10.0	18.5	-
	1427~1496	10.0	22.0	-
	1710~1995	10.0	20.7	-
	2010~2690	10.0	21.1	-

Isolation

Item	Frequency Range(MHz)	Min.	Typ.	Max.
High to Low (dB)	699~915	20.0	22.4	-
	915~960	17.0	24.1	-
	1427~1496	25.0	33.3	-
	1710~2690	25.0	32.2	-

Operating Temperature Range : -40~85°C

Power Capacity : 3W max.

In the effort to improve our products, we reserve the right to make changes judged to be necessary.

CONFIDENTIAL AND PROPRIETARY INFORMATION

This document contains confidential and proprietary information of Pulse Electronics, Inc. (Pulse) and is protected by copyright, trade secret and other state and federal laws. Its receipt or possession does not convey any rights to reproduce, disclose its contents, or to manufacture, use or sell anything it may describe. Reproduction, disclosure or use without specific written authorization of Pulse is strictly forbidden.

For more information:

Pulse Worldwide Headquarters  
15255 Innovation Drive #100  
San Diego, CA 92128  
USA  
Tel:1-858-674-8100

Pulse/Larsen Antennas  
18110 SE 34<sup>th</sup> St Bldg 2 Suite 250  
Vancouver, WA 98683  
USA  
Tel: 1-360-944-7551

Europe Headquarters  
Pulse GmbH & Do, KG  
Zeppelinstrasse 15  
Herrenberg, Germany  
Tel: 49 7032 7806 0

Pulse (Suzhou) Wireless Products Co, Inc.  
99 Huo Ju Road(#29 Bldg,4<sup>th</sup> Phase  
Suzhou New District  
Jiangsu Province, Suzhou 215009 PR China  
Tel: 86 512 6807 9998

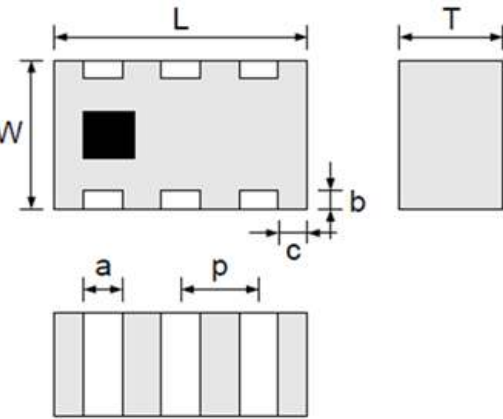


**Description: 2012 LB/JB-HB Diplexer**

**PART NUMBER: DPX2012LKGG0920L**

**MECHANICAL DIMENSION**

**Outline**

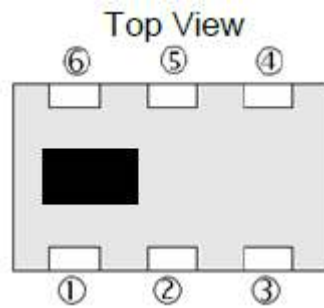


**Dimension**

L	W	T	a
2.00±0.15	1.25±0.15	0.90±0.10	0.30±0.15
b	c	p	
0.20±0.15	0.20±0.15	0.65±0.15	

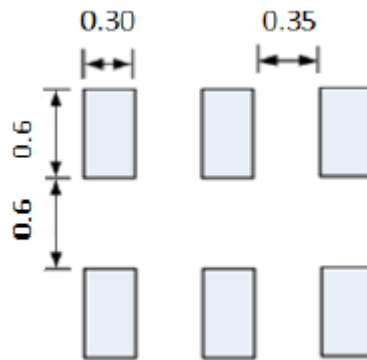
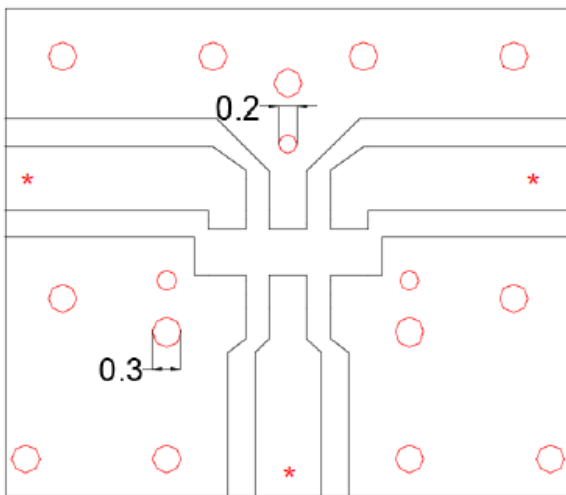
NOTE : Dimensions in mm.

**Termination**

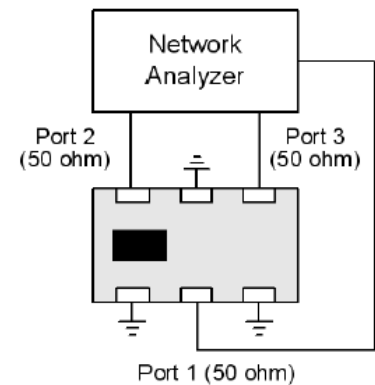


Terminal name	Function
P1	GND
P2	Common
P3	GND
P4	High band
P5	GND
P6	Low band

**Recommended Land Pattern**



Unit : mm



Test Instrument :  
Agilent E5071C Network Analyzer or equivalent.

Line width should be designed to match 50Ω characteristic impedance, depending on PCB material and thickness.

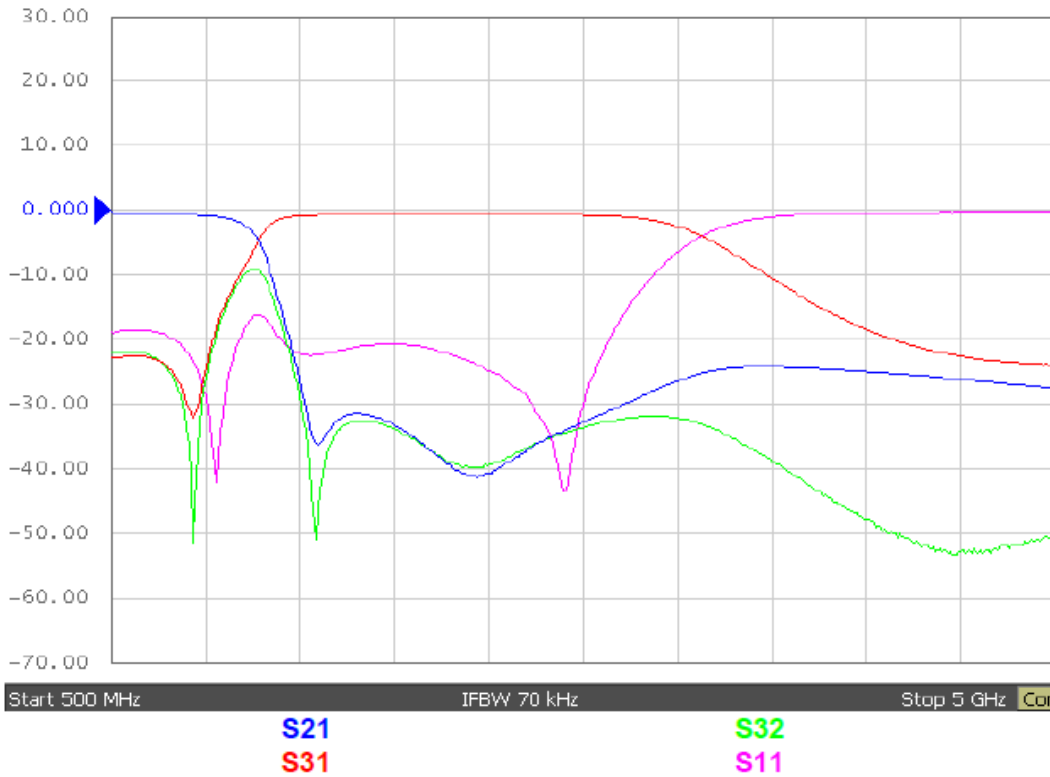
In the effort to improve our products, we reserve the right to make changes judged to be necessary.  
CONFIDENTIAL AND PROPRIETARY INFORMATION

This document contains confidential and proprietary information of Pulse Electronics, Inc. (Pulse) and is protected by copyright, trade secret and other state and federal laws. Its receipt or possession does not convey any rights to reproduce, disclose its contents, or to manufacture, use or sell anything it may describe. Reproduction, disclosure or use without specific written authorization of Pulse is strictly forbidden.

**Description: 2012 LB/JB-HB Diplexer**

**PART NUMBER: DPX2012LKGG0920L**

**ELECTRICAL PERFORMANCES**



Test Instrument :  
 Agilent E5071C Network Analyzer  
 or equivalent.

Frequency Characteristics

**Description:** 2012 LB/JB-HB Diplexer

**PART NUMBER:** DPX2012LKGGR0920L

### REVISION HISTORY

Revision	Date	Description
Version 1	Feb. 23, 2022	- New issue