

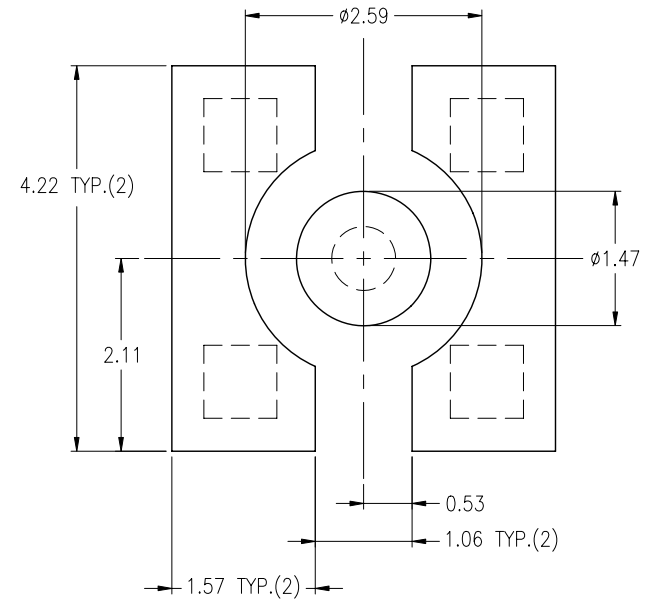
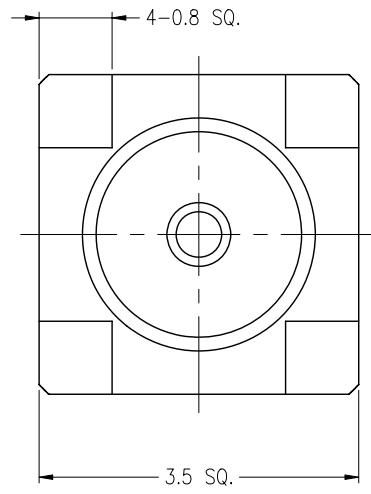
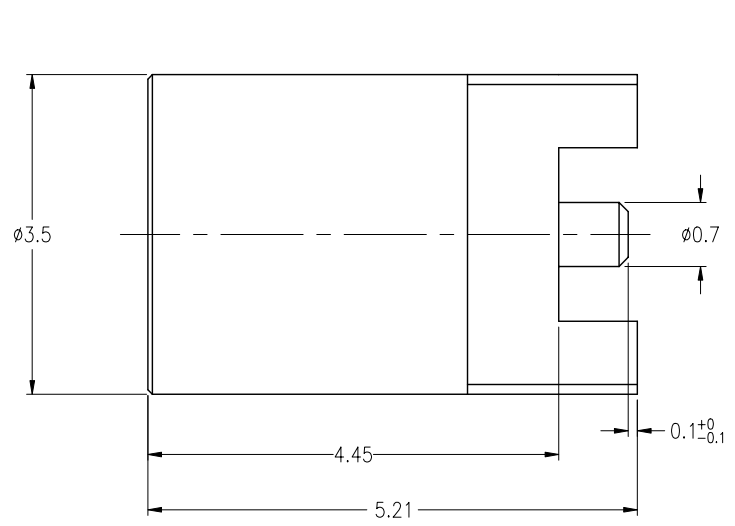
NOTES:

1. MATERIALS AND FINISHES:
 BODY - BRASS, GOLD PLATING
 CONTACT - BERYLLIUM COPPER, GOLD PLATING
 INSULATOR - PTFE
2. ELECTRICAL:
 A. IMPEDANCE: 50 OHM
 B. FREQUENCY RANGE: DC 0-6 GHz
 C. DIELECTRIC WITHSTANDING VOLTAGE: 500 VRMS, MIN.
3. MECHANICAL:
 A. DURABILITY: 500 CYCLES MIN.
 B. TEMPERATURE RANGE: - 65°C to +165°C
4. PACKAGING:
 A. PACKAGE CONNECTOR IN TAPE AND REEL, QTY OF 750 PCS

THIRD ANGLE PROJ.

REVISIONS

| REV | DESCRIPTION | DATE | ECO | APPR |
|-----|--|-----------|-------|------|
| A | SEE SHEET 1 | 05-Mar-03 | -- | -- |
| B | SEE SHEET 1 | 11-Aug-08 | -- | SH |
| C | SEE SHEET 1 | 30-Apr-09 | 47924 | SH |
| D | ADD NOTE 4\RD-DM10040701T1 | 15-Apr-10 | 48059 | SH |
| E | 4.45 WAS 4.5,5.21 WAS 5.26\RD-DM14012101J8 | 03-Mar-14 | 49948 | J.C |



RECOMMENDED MOUNTING PATTERN

CUSTOMER OUTLINE DRAWING
 ALL OTHER SHEETS ARE FOR INTERNAL USE ONLY

| | | | | | | | | |
|---|-----------|---|-------------------------|--------------|----------|--|-----------|---|
| UNLESS OTHERWISE SPECIFIED, DIMENSIONS ARE IN METRIC AND TOLERANCES ARE: 0.5 - 6mm ±0.1mm 6 - 30mm ±0.2mm 30 - 120mm ± 0.3mm ANGLES ±1° | MATERIAL | DRAWN J.CHEN DATE 26-Mar-14 | TITLE | | | Amphenol RF Danbury CT USA, Tainan Taiwan, Shenzhen China www.amphenolrf.com | | |
| | REFERENCE | ENGINEER KEN DATE 05-Mar-03 | MMCX SURFACE MOUNT JACK | | | | | |
| NOTICE - These drawings, specifications, or other data (1) are, and remain the property of Amphenol Corp. (2) must be returned upon request; and (3) are confidential and not to be disclosed to any person other than those to whom they are given by Amphenol Corp. The furnishing of these drawings, specifications, or other data by Amphenol Corp., or to any other person to anyone for any purpose is not to be regarded by implication or otherwise in any manner licensing, granting rights or permitting such holder or any other person to manufacture, use or sell any product, process or design, patented or otherwise, that may in any way be related to or disclosed by said drawings, specifications, or other data. | FINISH | APPROVED SCOTT DATE 28-Mar-14 | SCALE: 12/1 | SHEET 1 OF 1 | ITEM NO. | 096251AAG56GE5F | | |
| | | F:\DWG\MMCX\6251N3\50\3GT30G-ESZ | DWG SIZE | B | CODE ID | 74868 | REV | E |
| | | | | | | PART NO. | 908-22116 | |