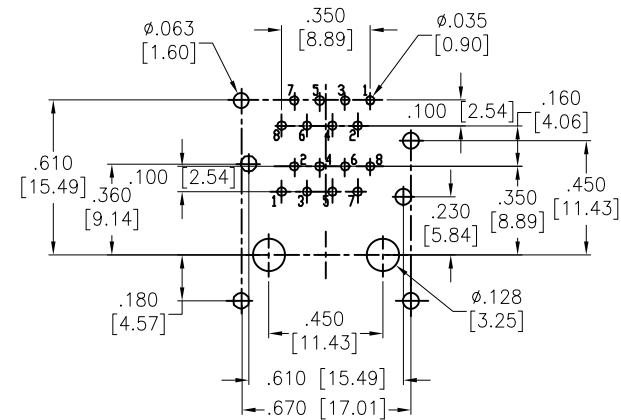
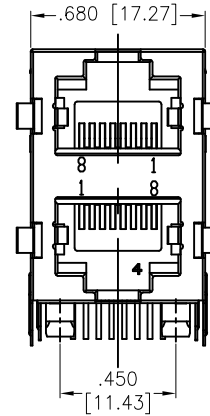
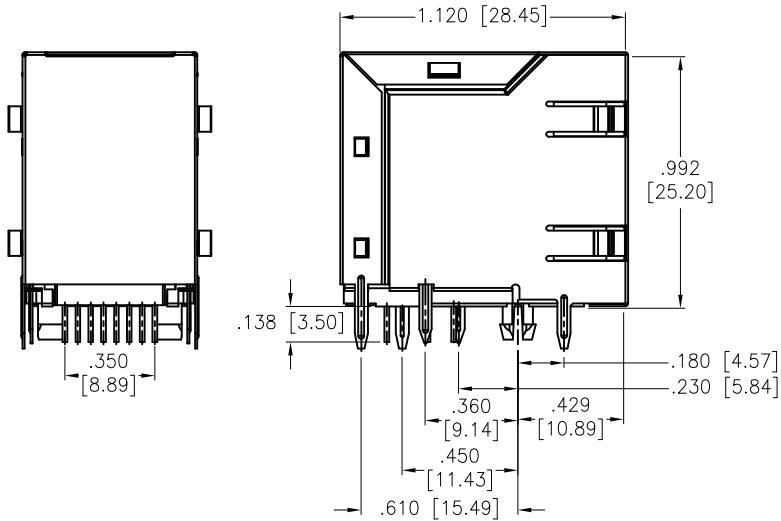
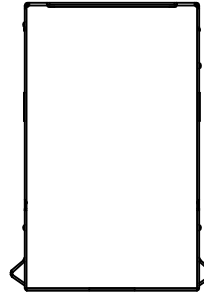


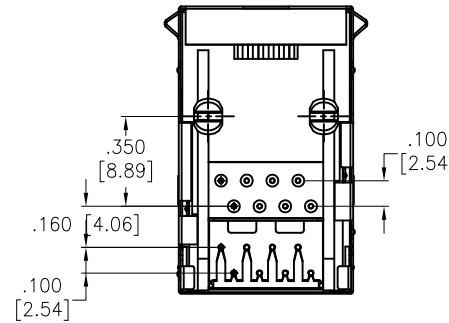
APPROVED: _____

DATE: _____ TITLE: _____

| Rev | AWO # | Description | Date | Appr |
|-----|-------|-----------------|---------|-------|
| - | | RELEASED | 4/24/14 | |
| A | | UPDATED DRAWING | 3/20/15 | HR/CH |
| B | | UPDATED DRAWING | 9/10/18 | HR/MY |
| C | | UPDATED DRAWING | 3/15/22 | WX/YC |
| D | | UPDATED DRAWING | 7/6/23 | WX/MC |



RECOMMENDED PCB LAYOUT



SPECIFICATIONS:

Material:

Insulator: PBT, rated UL 94V-0
 Insulator color: Pantone P114C, Yellow
 Contacts: Phosphor Bronze
 Shield: Brass, Nickel plated

Plating:

Round contact
 Gold over Nickel underplate overall
 Electrical:

Voltage rating: 150 VAC RMS
 Current rating: 1.5 Amp
 Contact Resistance: 20 mohms max.
 Insulation resistance: 1,000 Mohms min @ 500 VDC
 Dielectric withstanding voltage:
 Contact to Contact: 1,000 VDC/AC Peak for 1 minute
 Contact to Shield: 1,500 VDC or AC Peak for 1 minute
 Temperature Rating:
 Operating temperature: -40°C to +85°C
 Environmental:
 Lead free, RoHS compliant.



UNLESS OTHERWISE SPECIFIED ALL DIMENSIONS ARE INCHES [MM]. TOLERANCES: EXCEPT AS NOTED

| INCHES | | HOLES | |
|--------|--------|-------|--------|
| X | ± .10 | Ø.XX | ± .10 |
| .XX | ± .020 | Ø.XXX | ± .015 |
| .XXX | ± .015 | Ø.XXX | ± .010 |

| | | |
|----------|----|---------|
| DRAWN | AY | 4/24/14 |
| CHECKED | LW | 4/24/14 |
| APPROVED | | |

THIS DRAWING CONTAINS INFORMATION THAT IS PROPRIETARY AND SHOULD NOT BE USED WITHOUT PRIOR WRITTEN PERMISSION FROM ADAM TECH



909 Rahway Avenue,
 Union, NJ 07083
 Phone: 908-687-5000
 Fax: 908-687-5710

| | | |
|---|---------------------------------------|--------------|
| TITLE MODULAR GANGED JACK, 2 PORT, 8P8C, RIGHT ANGLE SHIELDED, YELLOW P114C | | |
| SIZE X | PART NO. MTJG-2-88JX1-FSG-PG-P114C | REV. D |
| REF: S00005C | SCALE: NTS | SHEET 1 OF 1 |