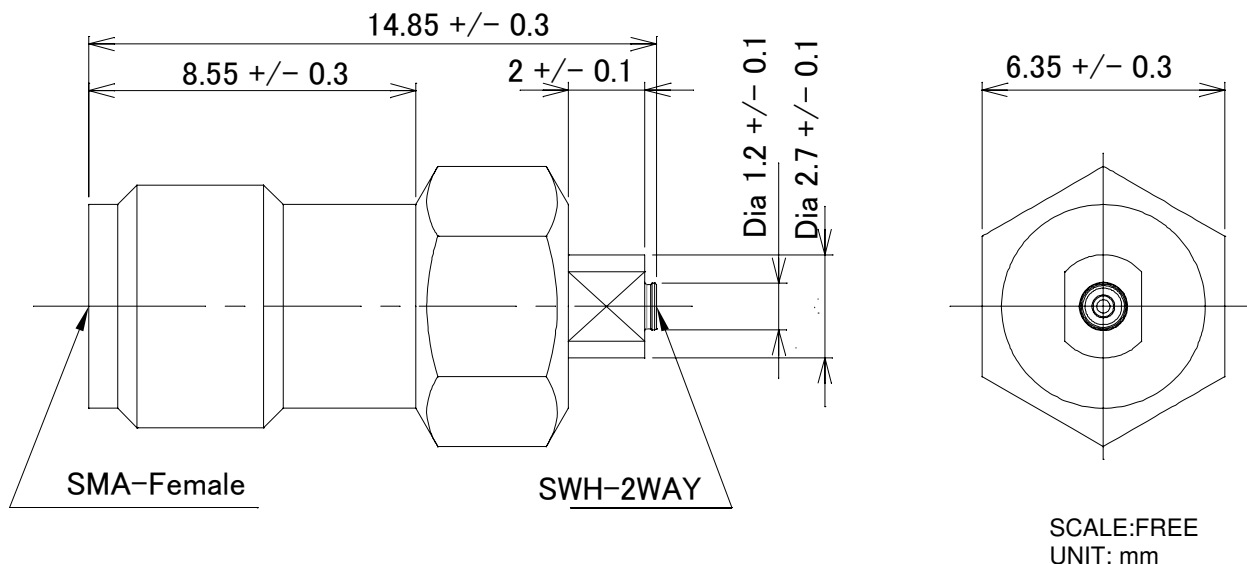


SPECIFICATION

1. MECHANICAL

Calibration adapter for SWH-2Way probe



2. RATING:

Item	Specification
Voltage Rating	30V r.m.s. maximum
Nominal Frequency Range	DC to 6GHz
Nominal Impedance	50Ω
Temperature Rating	-40°C to +85°C
Insulation Resistance	500 MΩ minimum
Withstanding Voltage	No evidence of breakdown
Initial Contact Resistance (without conductor resistance)	Center contact 70.0mΩmax. Outer contact 20.0mΩmax.
A> Voltage Standing Wave Ratio (V.S.W.R.)	1.3max. (DC to 3GHz) 1.4max. (3GHz to 6GHz)
A> Durability	200 cycles