

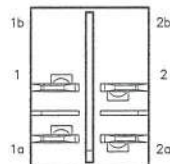
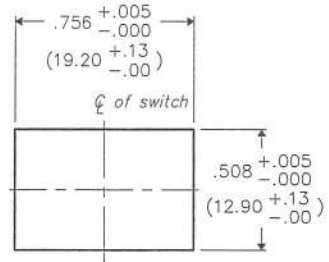
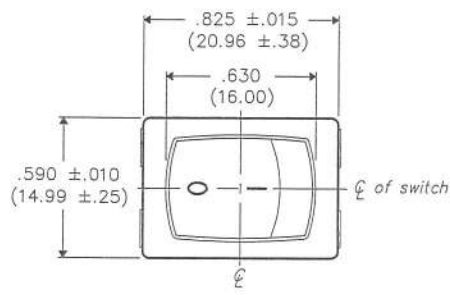
THIS INFORMATION IS CONFIDENTIAL AND PROPRIETARY TO CW INDUSTRIES INCORPORATED AND ITS AFFILIATES. IT MAY NOT BE DISCLOSED TO ANYONE, OTHER THAN CW INDUSTRIES PERSONNEL, WITHOUT WRITTEN AUTHORIZATION FROM CW INDUSTRIES INCORPORATED, SOUTHAMPTON, PENNSYLVANIA USA.

F
D
C
B
A

DIMENSIONS IN INCHES (MILLIMETERS)
 DO NOT SCALE DRAWING

Dwg. No.
GRSV-4021-0006

PANEL PIERCING

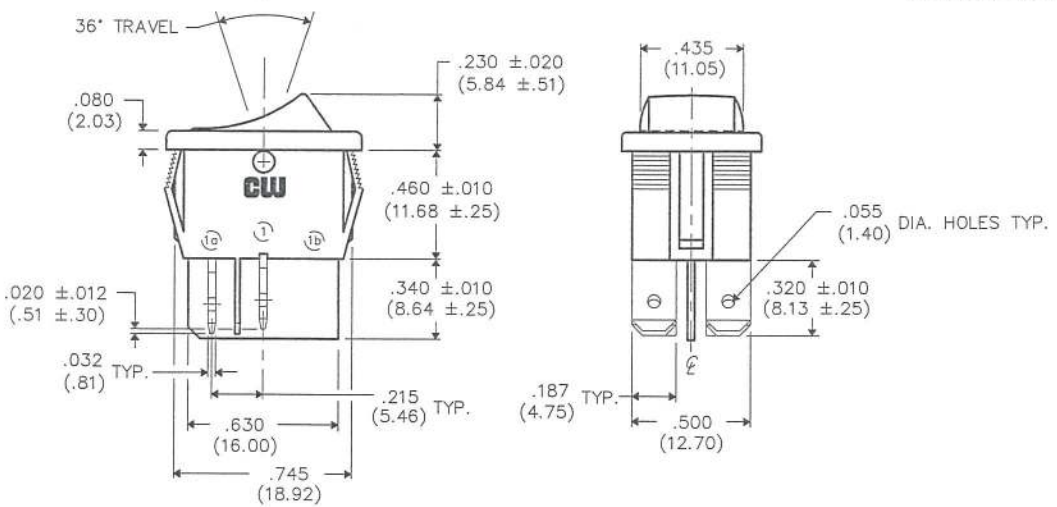


BOTTOM VIEW

SWITCH COLOR - Black
 LEGEND COLOR - White

SWITCH RATINGS:

UL/CSA/105°
 16A 125-250VAC , 10A 14V (T)
 3/4 H.P. 125-250VAC , 3A 125V (L)
 VDE
 10(4) 250 ~ μ 85°



1 2 3 4 5 6 7 8 9 10

B-FORMAT 2002 REVISIONS RELEASED: DGW 7-01-13 JUL 19 2013	0

PDF FILE	CW INDUSTRIES Southampton, Pa. 18966 <small>TOLERANCES UNLESS OTHERWISE SPECIFIED</small> 2 Place Decimal ±.010 METRIC 3 Place Decimal ±.005 1 Place Dec. ±.25mm Angles ±1' 2 Place Dec. ±.13mm	Title: ROCKER SWIDGET ASSEMBLY (POP IN), W/BARR.S D.P.- S.T.
	Made for: CW IND.	Division: SWITCH
	Drawn by: DGW 7-01-13	Dwg. No.
	Checked by: <i>G. Guld 7-8-13</i> Approval: <i>G. Guld 7-8-13</i>	GRSV-4021-0006

MASTER