

Data sheet

Modul surface mount housing 16 port pure white, unequipped

Page 1/6

P/N

130861-1602-E

EAN 4250184118794

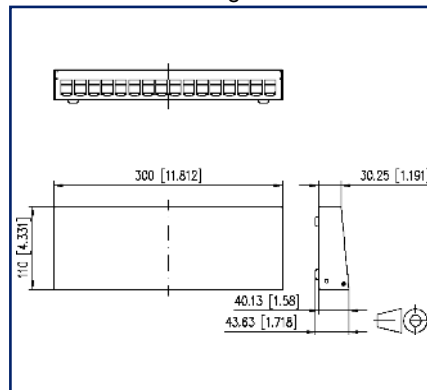
2023/04/14

Version: O

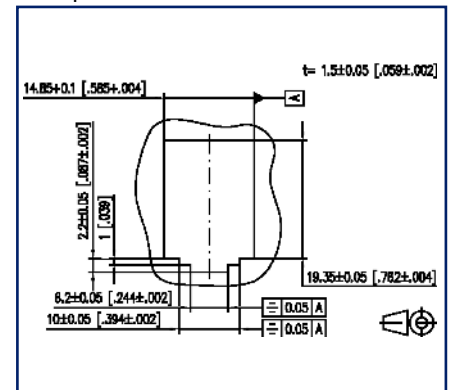
Illustrations



Dimensional drawing



Drill pattern



See enlarged drawings at the end of document

Product specification

- surface-mounted, unequipped module housing for individual modules in modul design
- solid steel sheet housing
- upper part of the housing powder-coated in RAL 9010
- upper part of the housing can be put on and removed easily because no screws are used for fastening
- equipotential bonding possible by means of contact pin
- additional strain relief on lower part of housing using cable ties
- suitable for direct wall mounting, as desktop device and for DIN-rail mounting using the DIN rail adapter mini FS
- bottom of the 3 port and 4 port housing can be removed. Additional fastening by means of 60 mm fastening clearance.
- optionally available and usable in all housings except 2 port: FO extension set for module and keystone surface mount housing: 130861-MSK-E
- optionally available 2x12 housing: Strain relief for patch cords 130861-24ZE-E
- variants: 2, 3, 4, 6, 8, 12, 16 and 2x12 ports

Modul surface mount housing 16 port pure white, unequipped

P/N

130861-1602-E

EAN 4250184118794

2023/04/14

Version: O

Technical Data

General Data

Fields of application	office areas
Mechanical measurement according to MICE	M1
Ingress measurement according to MICE	I1
Climatic measurement according to MICE	C1
Electromagnetic measurement according to MICE	E3
Design	patch panel
Color	Pure white RAL 9010
Dimensions	
Dimension (L x W x H)	110 mm x 300 mm x 43.63 mm
Dimension (L x W x H)	4.331 in. x 11.811 in. x 1.718 in.
Modularity	yes

Connections/interfaces

Number of ports interface 1	16
Number of equipped ports interface 1	0
Number of ports interface 2	16
Number of ports interface 2 equipped	0

Mechanical data

Cut-out	module
strain relief	cable tie

Materials and material properties

Material - Housing	aluminium-zinc sheet
Material - Front cover	aluminium-zinc sheet
Material - Cover	steel
Halogen free	yes
RoHS	compliant

Environmental conditions

Temperature (min. - max.)	
Temperature - Storage °C	-40 °C - 70 °C
Temperature - Storage °F	-40 °F - 158 °F
Temperature - Operating °C	-40 °C - 70 °C

Modul surface mount housing 16 port pure white, unequipped

P/N

130861-1602-E

EAN 4250184118794

2023/04/14

Version: O

Technical Data

Environmental conditions

Temperature (min. - max.)

Temperature - Operating °F -40 °F - 158 °F

Classifications

ETIM 5.0	EC001128
ETIM 6.0	EC001128
ETIM 7.0	EC002006
ETIM 8.0	EC002006
ETIM 9.0	EC002006

Packing details

Type of packaging	1 pc(s) / box
Packaging unit - Weight (gram)	824 g
Packaging unit - Weight (pound)	1.82 lb
Packaging dimension	330 mm x 130 mm x 56 mm
Packaging dimension	12.992 in. x 5.118 in. x 2.205 in.

Modul surface mount housing 16 port pure white, unequipped

P/N

130861-1602-E

EAN 4250184118794

2023/04/14

Version: O

Accessories

P/N	Designation
130861-MSK-E	FO extension set for module and keystone surface mount housing
130898-00-I	BLIND module light gray
130898-00-RW-I	BLIND module pure white
130898-01-I	COAX modul F jack / F jack
130898-02-I	COAX modul IEC jack / F jack
130898-03-I	COAX modul IEC plug / F jack
1308990111-I	DIN rail adapter mini
130908-I-B1	UAE modul Cat.5e white
130909-I	UAE modul Cat.6 jack T568A white
130910-I	E-DAT modul Cat.6 _A 8(8) jack, T568A
130910-I-B1	E-DAT modul Cat.6 _A 8(8) jack, T568B
130910-Z	E-DAT modul Cat.6 _A 8(8) jack, T568A (12 pcs)
1309A0-I	E-DAT modul coupler 8(8) 180° class E _A
130A11-29-I	UAE modul 8(8) Cat.6 _A black
130A11-I	UAE modul 8(8) Cat.6 _A white
130B11-25-E	25Gmodul
130B11-25-Z	25Gmodul (12 pcs)
130B11-E	C6 _A modul 180° jack
130B11-Z	C6 _A modul 180° jack (12 pcs)
15091001-I	OpDAT modul ST OS2
15091071-I	OpDAT modul LC-Duplex OS2
15091072-I	OpDAT modul LC-Duplex OM3
15091075-I	OpDAT modul LC-Duplex OM4
15091076-I	OpDAT modul LC-Duplex APC OS2
1509107B-I	OpDAT modul LC-Duplex OM2

P | Cabling

Data sheet

Page 5/6

Modul surface mount housing 16 port pure white, unequipped

P/N

130861-1602-E

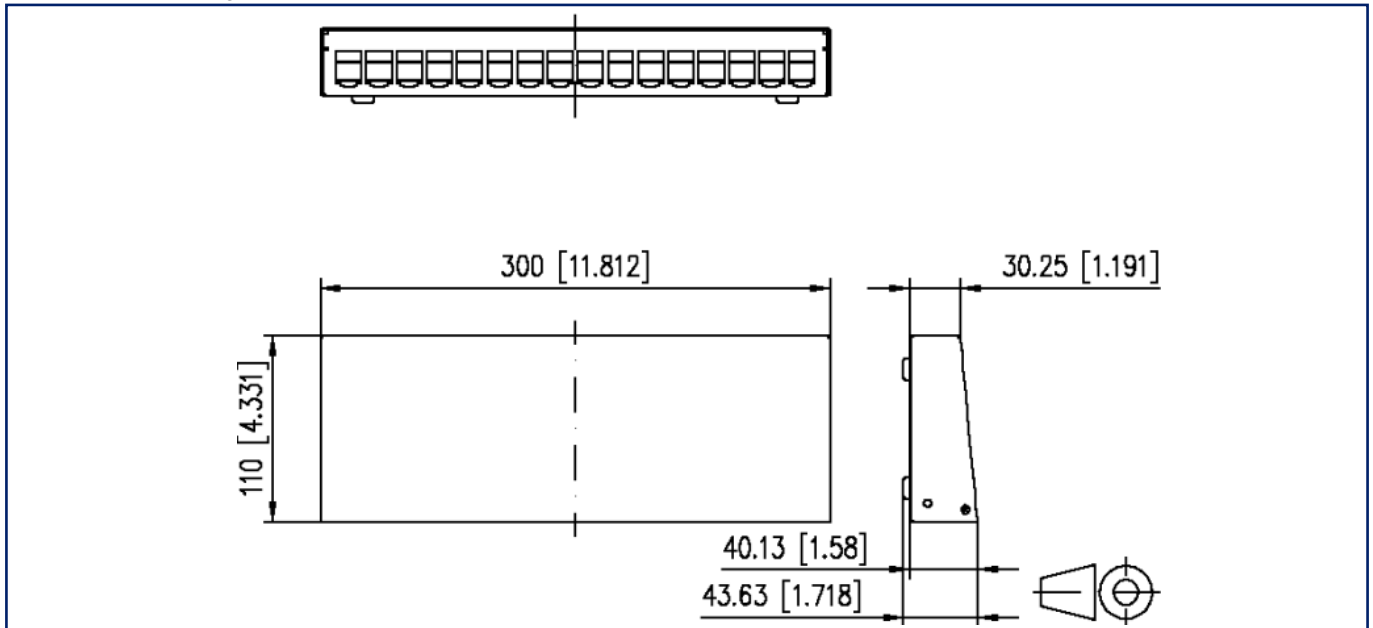
EAN 4250184118794

2023/04/14

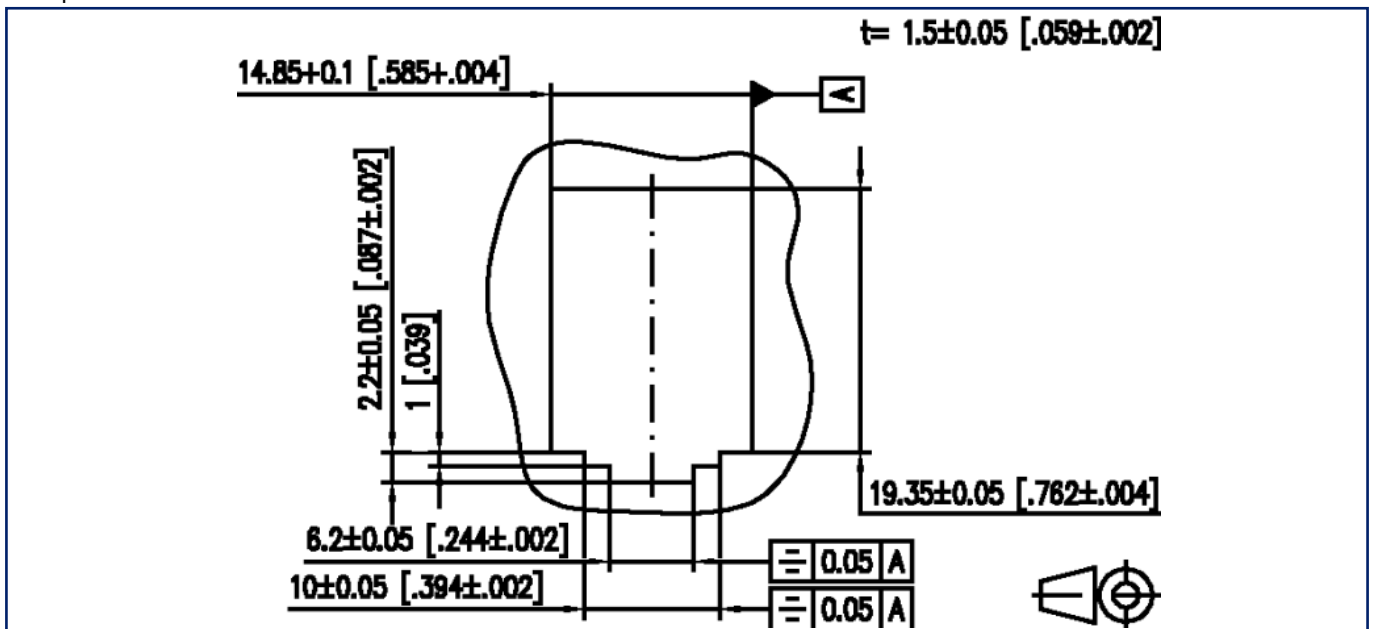
Version: 0

Illustrations

Dimensional drawing



Drill pattern



P | Cabling

Data sheet

Page 6/6

Modul surface mount housing 16 port pure white, unequipped

P/N

130861-1602-E

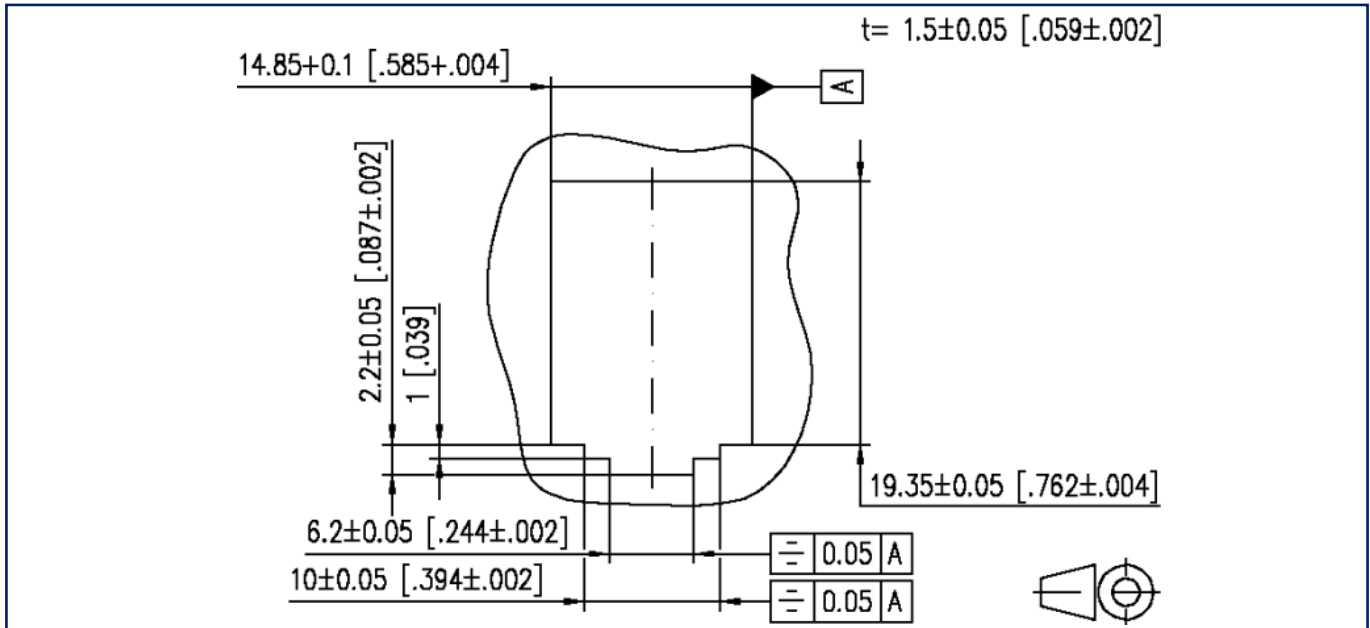
EAN 4250184118794

2023/04/14

Version: O

Illustrations

Cut-out



© 2023 METZ CONNECT - Technische Änderungen vorbehalten! Subject to modifications! Sous réserve de modifications techniques!