

10

9

8

7

6

5

4

3

2

1

F

F

E

E

D

D

C

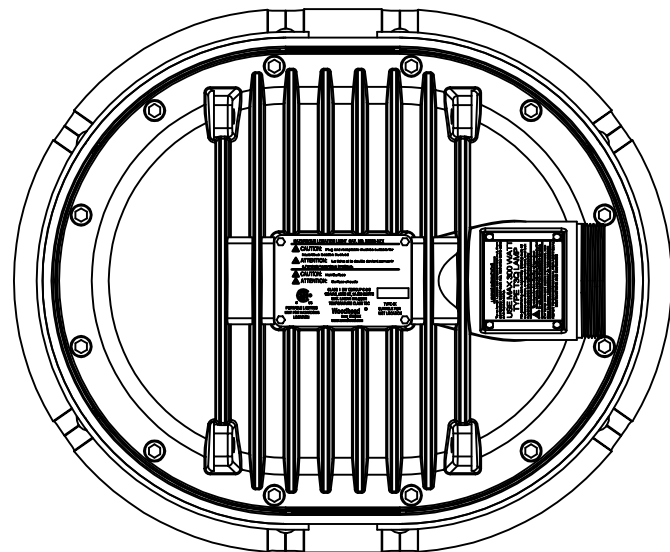
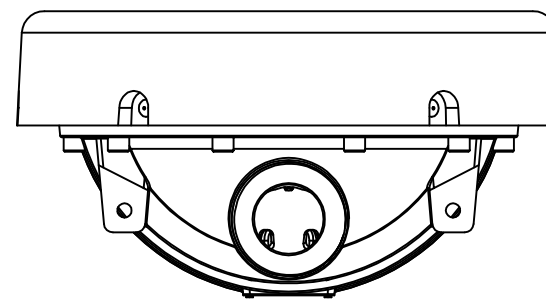
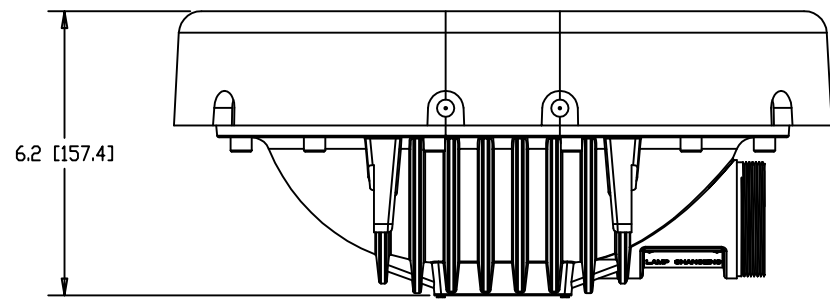
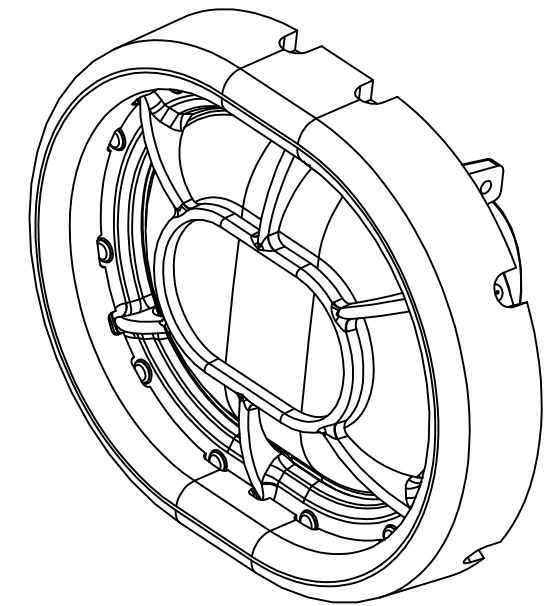
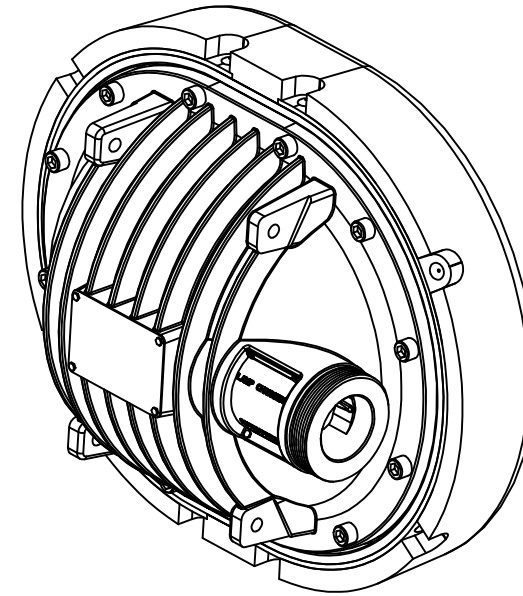
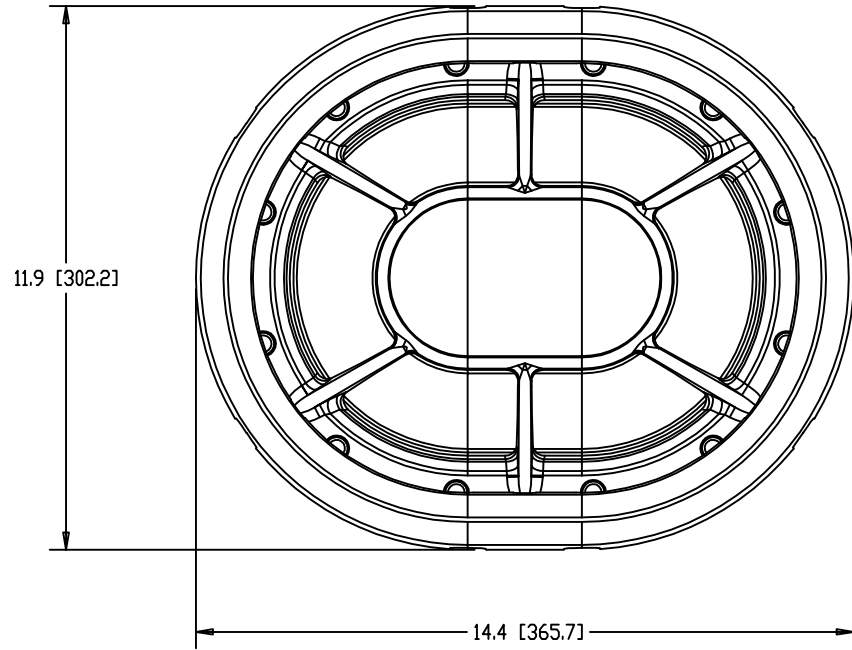
C

B

B

A

A



NOTES:
1. FOR USE WITH MOLEX STANCHION LIGHT SERIES 130289

RELEASE DRAWING EC NO: WNA2010-0135 DRWN: MCHOJECK 8/28/09 CH'KD: DT 2009/09/01 APPR: DTITUS 2009/08/31	QUALITY SYMBOLS ▽=0 ▽C=0	GENERAL TOLERANCES (UNLESS SPECIFIED)		DIMENSION STYLE INCH/MM		SCALE NTS	DESIGN UNITS INCH	THIRD ANGLE PROJECTION	
		4 PLACES ±--- ±--	DRAWN BY MC DATE 2009/08/28	STANCHION LIGHT HEAD ASSEMBLY REPLACEMENT					
		3 PLACES ±--- ±.005	CHECKED BY DT DATE 2009/09/01						
		2 PLACES ±.13 ±.010	APPROVED BY DTITUS DATE 2009/08/28	MATERIAL NO. 1301800646		DOCUMENT NO. SD-130180-001	SHEET NO. 1 OF 1		
1 PLACE ±.26 ±.020	ANGULAR ±.5°		DRAFT WHERE APPLICABLE MUST REMAIN WITHIN DIMENSIONS		THIS DRAWING CONTAINS INFORMATION THAT IS PROPRIETARY TO MOLEX INCORPORATED AND SHOULD NOT BE USED WITHOUT WRITTEN PERMISSION				

10

9

8

7

6

5

4

3

2

1