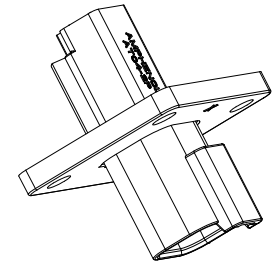
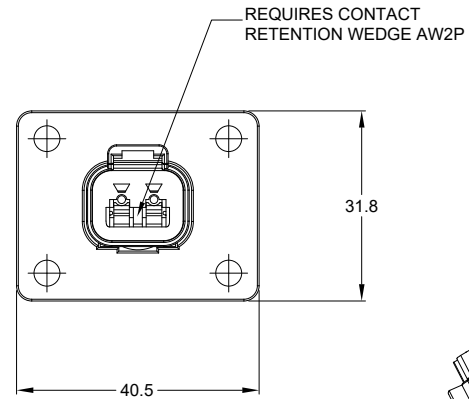
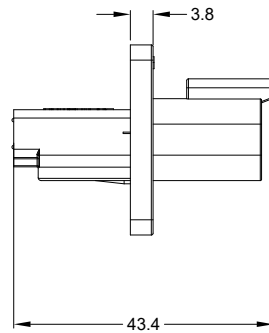
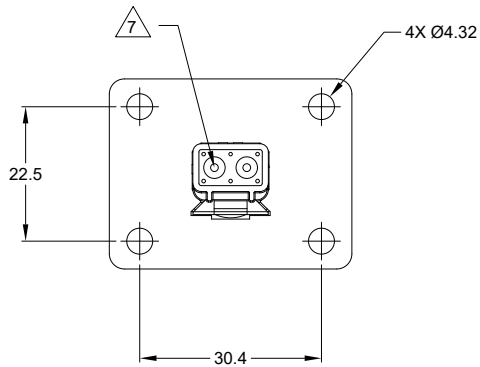
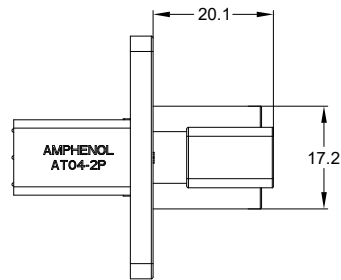


REVISIONS					
REV	ECO	DESCRIPTION	DATE	BY	APPR
A1	--	RELEASE NUMBER	30/NOV/18	ROOKIE	TOMMY
A2	--	FIXED TYPO: 30.35 WAS 33.35 (SHT 2)	9/NOV/20	JHEAD	DH



NOTES: UNLESS OTHERWISE SPECIFIED

- COLOR: GRAY
- MATERIAL:
HOUSING: THERMOPLASTIC
SEAL: SILICONE RUBBER
- MODIFICATIONS: FLANGE
- SPECIFICATIONS:
3.1 CURRENT RATING: 13 AMPS
3.2 OPERATING TEMPERATURE: -55°C TO +125°C.
3.3 DIELECTRIC WITHSTANDING VOLTAGE: LESS THAN 2 MILLIAMPS CURRENT LEAKAGE @ 1500 VOLTS AC.
3.4 INSULATION RESISTANCE: 1000 MEGOHMS MIN @ 25°C.
3.5 MOISTURE RESISTANCE: IP67 (MATED CONDITION)
3.6 MATING CYCLE DURABILITY: 100 CYCLES
3.7 RoHS COMPLIANT
- MATING PART: AT06-2S* PLUG.
(* = MODIFICATIONS AND COLORS)
- ALL DIMENSIONS ARE FOR REFERENCE USE ONLY.

CONTACT SIZE AND REAR SEAL WIRE RANGE:

CONTACT SIZE	MIN. INSUL O.D.	MAX. INSUL O.D.	TYPICAL WIRE RANGE
16	2.24 mm (.088 in)	3.68 mm (.145 in)	14 - 20 AWG

TITLE: 2P RECEPTACLE, FLANGE MOUNT, GRAY
DWG NO.: AT04-2P-L012
REV: A2
SH: 1
OF: 2

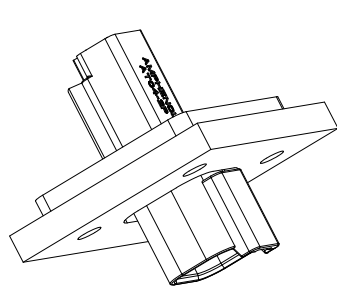
AT04-2P-L012		DT04-2P-L012			
PART NUMBER		DESCRIPTION		ITEM	
QUANTITY		MATERIALS LIST			
UNLESS OTHERWISE SPECIFIED: 1) All dimensions are in metric(mm). 2) Tolerances are as follows: 1 PL DEC ±0.30 Fractions ±1/64 2 PL DEC ±0.15 Angles ±1° 3 PL DEC ±0.08 3) Note reference =		SIGNATURES		DATE	
DRAWN: ROOKIE		ORION		30/NOV/18	
CHECKED: ORION		TOMMY		30/NOV/18	
ENGINEER:		CUSTOMER:			
APPROVAL:		MATERIAL SPECIFICATIONS:			
PROCESS SPECIFICATIONS:		THIS DRAWING IS SUPPLIED FOR INFORMATION ONLY. DESIGN FEATURES, SPECIFICATIONS AND PERFORMANCE DATA SHOWN HEREON ARE THE PROPERTY OF THE AMPHENOL CORPORATION. NO RIGHTS OF REPRODUCTION ARE IMPLIED. ALL DIMENSIONS ARE SUBJECT TO NORMAL MANUFACTURING VARIATIONS.			
NEXT ASSY:		SIZE		REVISION	
		B C-		A2	
		DWG NO: AT04-2P-L012		SCALE: NONE	
		SHEET 1 OF 2			

Amphenol
Sine Systems - www.amphenol-sine.com
44724 Morley Drive
Clinton Township, MI 48036

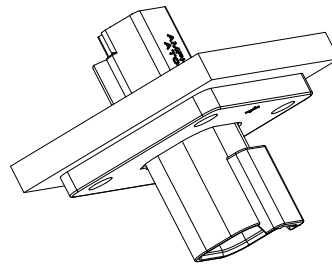
2P RECEPTACLE, FLANGE MOUNT, GRAY

REVISIONS					
REV	ECO	DESCRIPTION	DATE	BY	APPR
A1	--	RELEASE NUMBER	30/NOV/18	ROOKIE	TOMMY
A2	--	FIXED TYPO: 30.35 WAS 33.35 (SHT 2)	9/NOV/20	JHEAD	DH

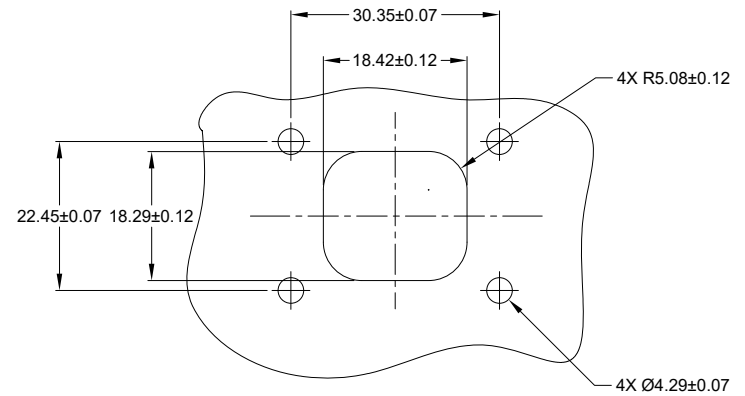
FOR REFERENCE ONLY



FORONT MOUNT



REAR MOUNT



RECOMMENDED CUTOUT
FRONT AND REAR MOUNT

AT04-2P-L012		DESCRIPTION		ITEM
PART NUMBER		DESCRIPTION		ITEM
QUANTITY MATERIALS LIST				
UNLESS OTHERWISE SPECIFIED				
1) All dimensions are in metric (mm).				
2) Tolerances are as follows:				
1 PL DEC ±0.30 Fractions ±1/64				
2 PL DEC ±0.15 Angles ±1°				
3) Note reference =				
SIGNATURES		DATE		<p>Amphenol</p> <p>Sine Systems - www.amphenol-sine.com 44724 Morley Drive Clinton Township, MI 48036</p> <p>2P RECEPTACLE, FLANGE MOUNT, GRAY</p>
DRAWN: ROOKIE		30/NOV/18		
CHECKED: ORION		30/NOV/18		
ENGINEER:				
APPROVAL: TOMMY		30/NOV/18		<p>SIZE: B C-</p> <p>DWG NO: AT04-2P-L012</p> <p>REVISION: A2</p> <p>SCALE: NONE</p>
CUSTOMER:				
MATERIAL SPECIFICATIONS:				
PROCESS SPECIFICATIONS:				<p>THIS DRAWING IS SUPPLIED FOR INFORMATION ONLY. DESIGN FEATURES, SPECIFICATIONS AND PERFORMANCE DATA SHOWN HEREON ARE THE PROPERTY OF THE AMPHENOL CORPORATION. NO RIGHTS OF REPRODUCTION ARE IMPLIED. ALL DIMENSIONS ARE SUBJECT TO NORMAL MANUFACTURING VARIATIONS.</p>
NEXT ASSY:				
		SHEET 2 OF 2		

TITLE: 2P RECEPTACLE, FLANGE MOUNT, GRAY
 DWG NO: AT04-2P-L012
 REV: A2
 SH: 2
 OF: 2