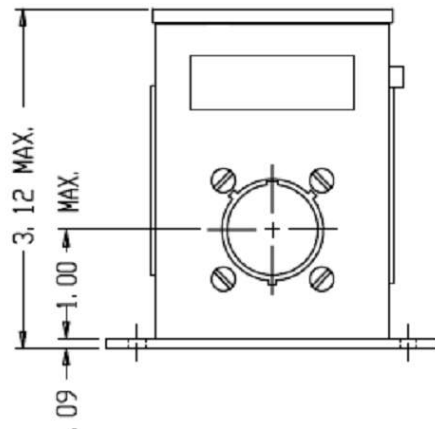
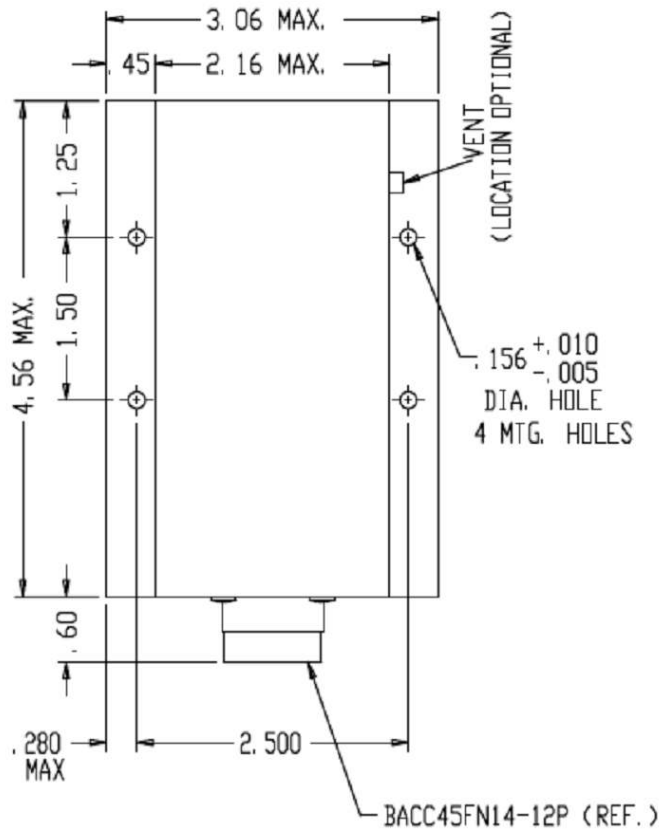


REVISIONS

REV.	ECO	DESCRIPTION	DATE	APPROVED
J	14-016299	REMOVED ITEM 6 (1) 39529-024 OVER LAY, REMOVED ITEM 7 (2) 39529-001 OVER LAY, ADDED MAX TO .280	28OCT2014	MDM

E-308AH
RELAY-VOLTAGE SENSING
CONTACT FORM 3 PDT



ALL DIMENSIONS ARE IN INCHES



TE CONNECTIVITY
 175 N. DIAMOND STREET MANSFIELD,
 OHIO 44902

TITLE

RELAY-VOLTAGE SENSING

TE P.N.

1616126-4

DWG NO.

E-308AH

DS DATA SHEET

CAGE CODE
 74063

SCALE
 NONE

SHEET
 1 OF 2

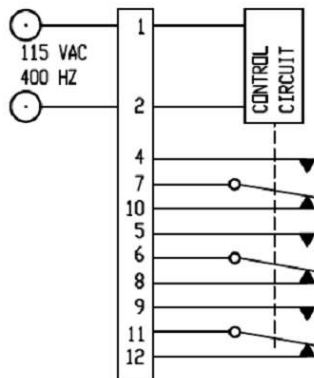
REV
 J

GENERAL SPECIFICATION

ELECTRICAL

CONTACT FORM CONTACT RATING (AMPS/POLE AT 115 VAC AND 28 VDC)	3 PDT RESISTIVE INDUCTIVE MOTOR LAMP 20 15 5 4
LOAD TRANSFER CONTACT LIFE	10A. IND. MIL-R-6106 .7 P.F. LAGGING, 10,000 OPERATIONS MINIMUM 50,000 OPERATIONS, MINIMUM AT RATED
CONTACT BOUNCE DUTY CYCLE NOM. OPERATING VOLTAGE MAX. OPERATING VOLTAGE OPERATING FREQUENCY PICK-UP VOLTAGE PICK-UP TIME DROP-OUT VOLTAGE DROP-OUT TIME DELAY	RESISTIVE LOAD 3 MILLISECONDS MAXIMUM- CONTINUOUS 115 VAC., RMS L-N 122 VAC., RMS L-N 400 ± 20 HZ. 109 ± 2 VRMS 75 MILLISECONDS MAXIMUM 104 ± 2 VRMS WHEN THE RELAY IS IN THE ENERGIZED POSITION AND THE VOLTAGE DROPS BELOW 104 ± 2 VRMS AND ABOVE 88 ± 4 VRMS THE RELAY SHALL REMAIN ENERGIZED FOR 200-400 MSEC. WHEN THE VOLTAGE DROPS BELOW 88 ± 4 VRMS AND ABOVE 8 ± 1 VRMS THE RELAY SHALL REMAIN ENERGIZED FOR 50-400 MSEC. BELOW 8 ± 1 VRMS THE RELAY SHALL DEENERGIZE IN 400 MSEC. MAXIMUM.
INPUT VOLTAGE TRANSIENTS OPERATING CURRENT DIELECTRIC WITHSTANDING VOLTAGE INSULATION RESISTANCE	PER MIL-STD-704A 200 MAX. MILLIAMPS AT 25° C 1000 VRMS, 60 HZ. 1 MIL/AMP MAX. LEAKAGE 1000 MEGOHMS, MINIMUM AT 500 VDC AT 20° C AND 50% RH (MAX.)
ENVIRONMENTAL AMBIENT TEMPERATURE	-55° C TO +85° C (OPERATING) -55° C TO +125° C (NON-OPERATING)
VIBRATION	.060 DA 5 TO 80 HZ. 20 G'S 80 TO 2000 HZ.
SHOCK	30 G'S, 11 MILLISECOND, 1/2 SINE, 3 AXES
ACCELERATION	20 G'S IN ANY AXIS-
ALTITUDE	0 TO 50,000 FEET
MECHANICAL WEIGHT CONSTRUCTION	18 OZ. GASKET SEALED (VENTED) HERMATIC SEALED CONTACTS ALUMINUM COVER AND MOUNTING FLANGES BLACK LACQUER PAINT GLASS MAT POLYESTER TOP

SCHEMATIC



TE CONNECTIVITY
 175 N. DIAMOND STREET MANSFIELD,
 OHIO 44902

TITLE

RELAY-VOLTAGE SENSING

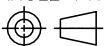
TE P.N.

1616126-4

DWG NO.

E-308AH

THIRD ANGLE PROJECTION



THIS DRAWING PREPARED
 IN ACCORDANCE WITH
 ANSI/ASMEY14.5M-1982

CAGE CODE

74063

SCALE

NONE

SHEET

2 OF 2

REV

J