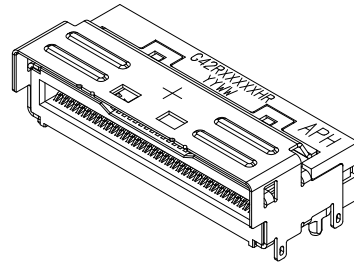
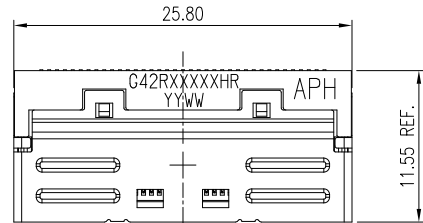


This document is the property of Amphenol Corporation and is delivered on the express condition that is not to be disclosed, reproduced or used, in whole or in part, for manufacture or sale by anyone other than Amphenol Corporation without its prior consent, and that no right is granted to disclose or to use any information in this document.  
 The marking on this product doesn't contain environmental hazardous materials per directive 2011/65/EU for RoHS compliant or per IEC 61249-2-21 for Halogen-Free compliant.



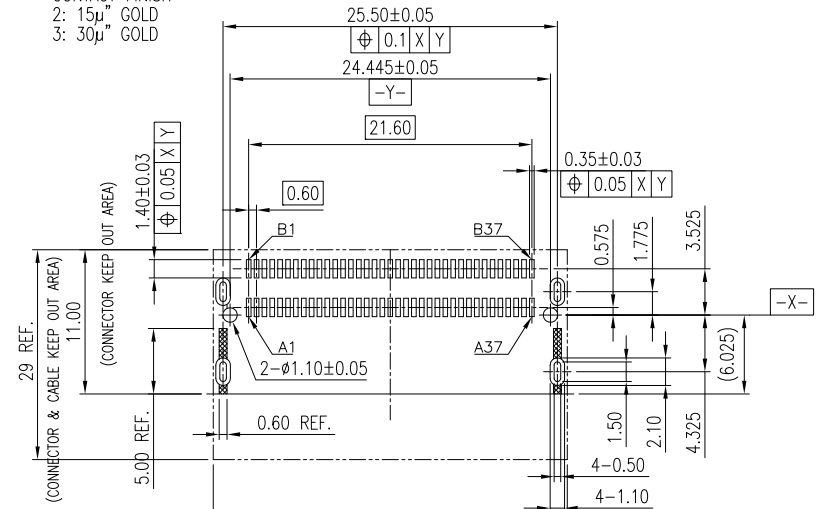
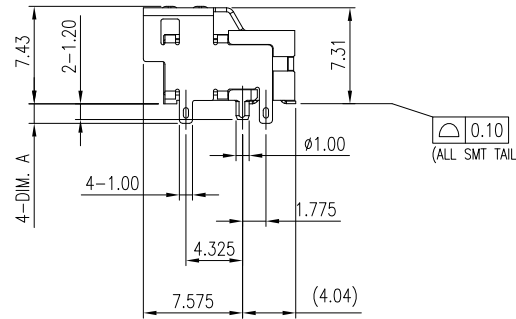
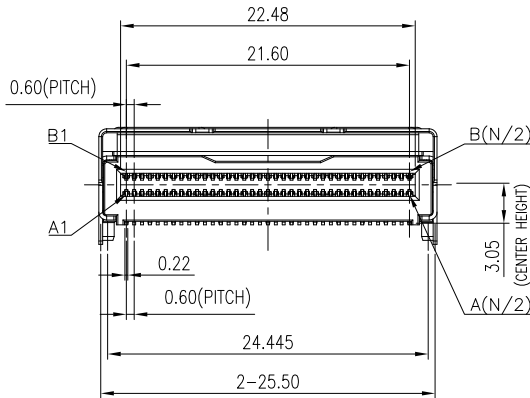
REVISIONS				
SYM	ECN No.	DESCRIPTION	DATE	BY
AX16	N/A	ADD PCB(ADD IN CARD) DWG / NOTE	2019.10.01	IH. LEE
AX17	N/A	ADD DIMENSIONS	2019.10.14	IH. LEE
AX18	N/A	ADD PLATING PN	2019.11.07	IH. LEE
AX19	N/A	CHANGE THE SHELL DESIGN	2020.01.30	IH. LEE
AX20	N/A	CANCELED 38P, 50P & 148P	2020.04.16	Sondra Sang
AX21	N/A	CHANGED HSG STAND-OFF	2020.07.16	Sondra Sang



PART NUMBER:  
G42 R X X X X X HR

MINI COOL EDGE IO INTEGRATED CONNECTOR  
 RIGHT ANGLE TYPE  
 CONNECTOR SPEED  
 1: 56G FOR 85ohm  
 A: 56G FOR 100ohm  
 CHANNEL/PIN QTY  
 2: 74 PIN( 8X+SIDEBAND OR 12X)  
 4: 124 PIN(16X+SIDEBAND OR 20X)  
 CONTACT FINISH  
 2: 15μ" GOLD  
 3: 30μ" GOLD

COMPLIANT CODE  
 HR: HALOGEN-FREE & RoHS  
 VARIATION CODE  
 BLANK: STANDARD  
 PACKING CODE  
 2: TAPE AND REEL  
 SHELL PIN LENGTH OPTIONS(DIM.A)  
 1: 1.50mm  
 2: 2.20mm  
 3: 3.00mm  
 4: 4.20mm  
 5: 1.20mm



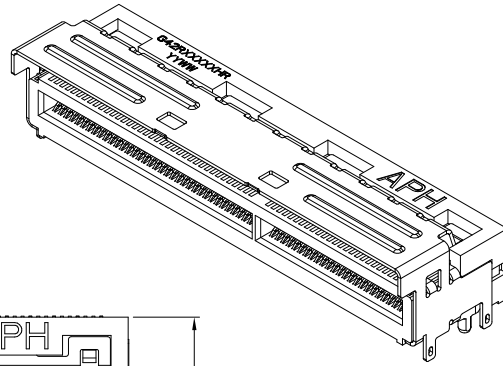
- NOTES:
- MATERIALS:  
 HOUSING: HIGH TEMPERATURE THERMOPLASTIC, UL 94V-0, COLOR-BLACK  
 TERMINAL: COPPER ALLOY  
 SHELL: STAINLESS STEEL
  - FINISH:  
 TERMINAL: CONTACT AREA: SELECTED GOLD PLATING  
 SOLDER AREA: 100u" MIN. MATTE TIN PLATING  
 UNDER PLATING: 50u" MIN. NICKEL OVERALL  
 SHELL: 50u" MIN. ELECTROLESS NICKEL PLATING OVERALL
  - PRODUCT SPECIFICATION REFERS TO PS-7681
  - THIS PRODUCT DOESN'T CONTAIN ENVIRONMENTAL HAZARDOUS MATERIALS PER DIRECTIVE 2011/65/EC FOR RoHS AND PER IEC 61249-2-21 FOR HALOGEN FREE COMPLIANT.

74 POS.

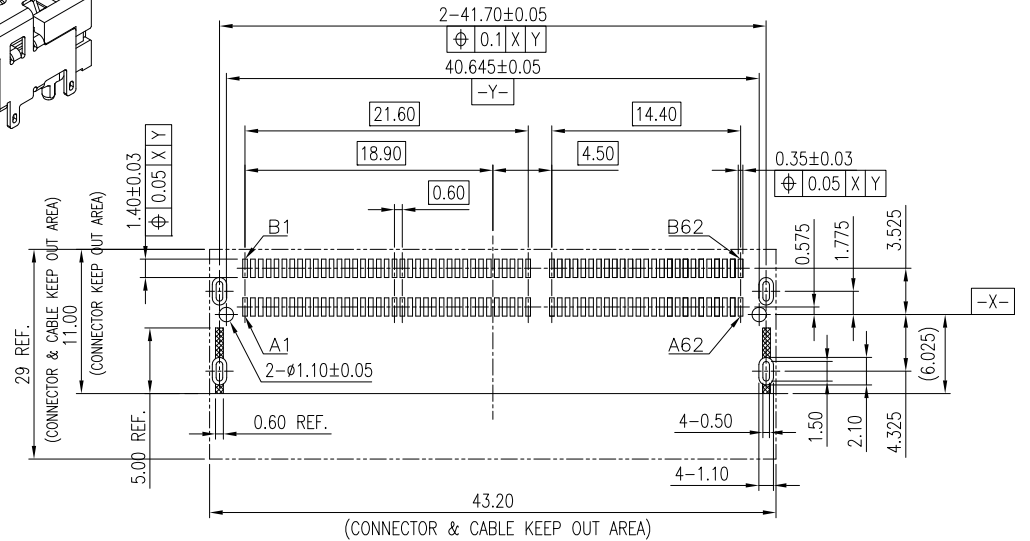
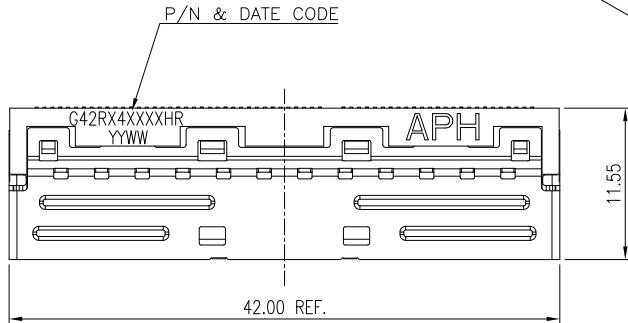
TOLERANCE	DRAWN	APPROVALS	DATE	TITLE	UNIT	SIZE	PART No.
X	DESIGNED	Sondra Sang	2020/07/16	MINI COOL EDGE IO INTEGRATED CONNECTOR 0.6 PITCH, STANDARD RIGHT ANGLE SMT	m	A3	G42 R X 2 X X X X HR
X.X ±0.30	CHECKED	Joan Lu	2020/07/16		SCALE	1 OF 5	DWG No.
X.XX ±0.20	APPROVED	Hank Hsu	2020/07/16		NA		G42RXXXXHR
X.XXX ±0.10	DWG TYPE	CUST DWG	PROJECT CODE				REV. AX21
ANGULAR ±2°			T637				
UNLESS OTHERWISE SPECIFIED							

**Amphenol®**  
 Amphenol Corporation  
 Amphenol Taiwan Corporation

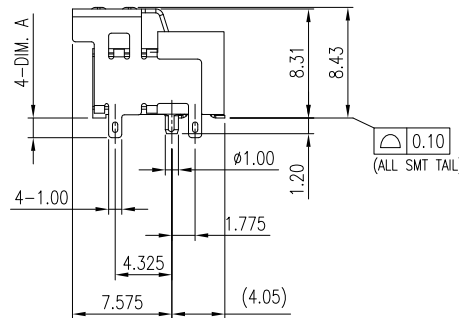
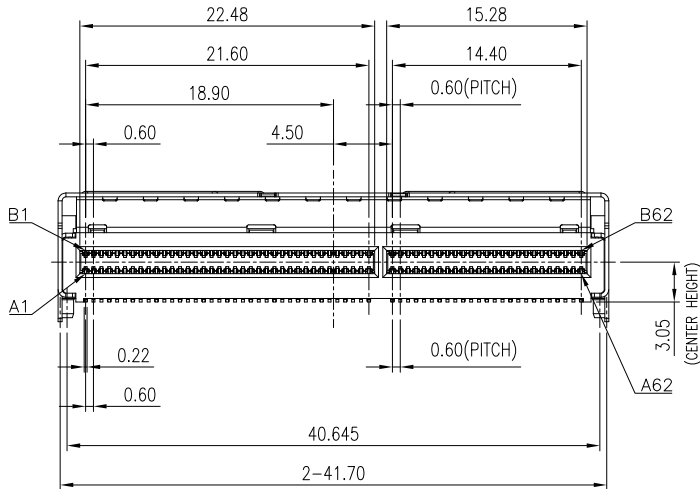
This document is the property of Amphenol Corporation and is delivered on the express condition that it not be disclosed, reproduced or used, in whole or in part, for manufacture or sale by anyone other than Amphenol Corporation without its prior consent, and that no right is granted to disclose or to use any information in this document.  
 The marking on this product doesn't contain environmental hazardous materials per directive 2011/65/EU for RoHS compliant or per IEC 61249-2-21 for Halogen-Free compliant.



REVISIONS				
SYM	ECN No.	DESCRIPTION	DATE	BY
AX16	N/A	ADD PCB(ADD IN CARD) DWG / NOTE	2019.10.01	IH. LEE
AX17	N/A	ADD DIMENSIONS	2019.10.14	IH. LEE
AX18	N/A	ADD PLATING PN	2019.11.07	IH. LEE
AX19	N/A	CHANGE THE SHELL DESIGN	2020.01.30	IH. LEE
AX20	N/A	CANCELED 38P, 50P & 148P	2020.04.16	Sondra Sang
AX21	N/A	CHANGED HSG STAND-OFF	2020.07.16	Sondra Sang



RECOMMENDED PCB LAYOUT (TOP VIEW)  
 (GENERAL TOLERANCE: ±0.05)



124 POS.

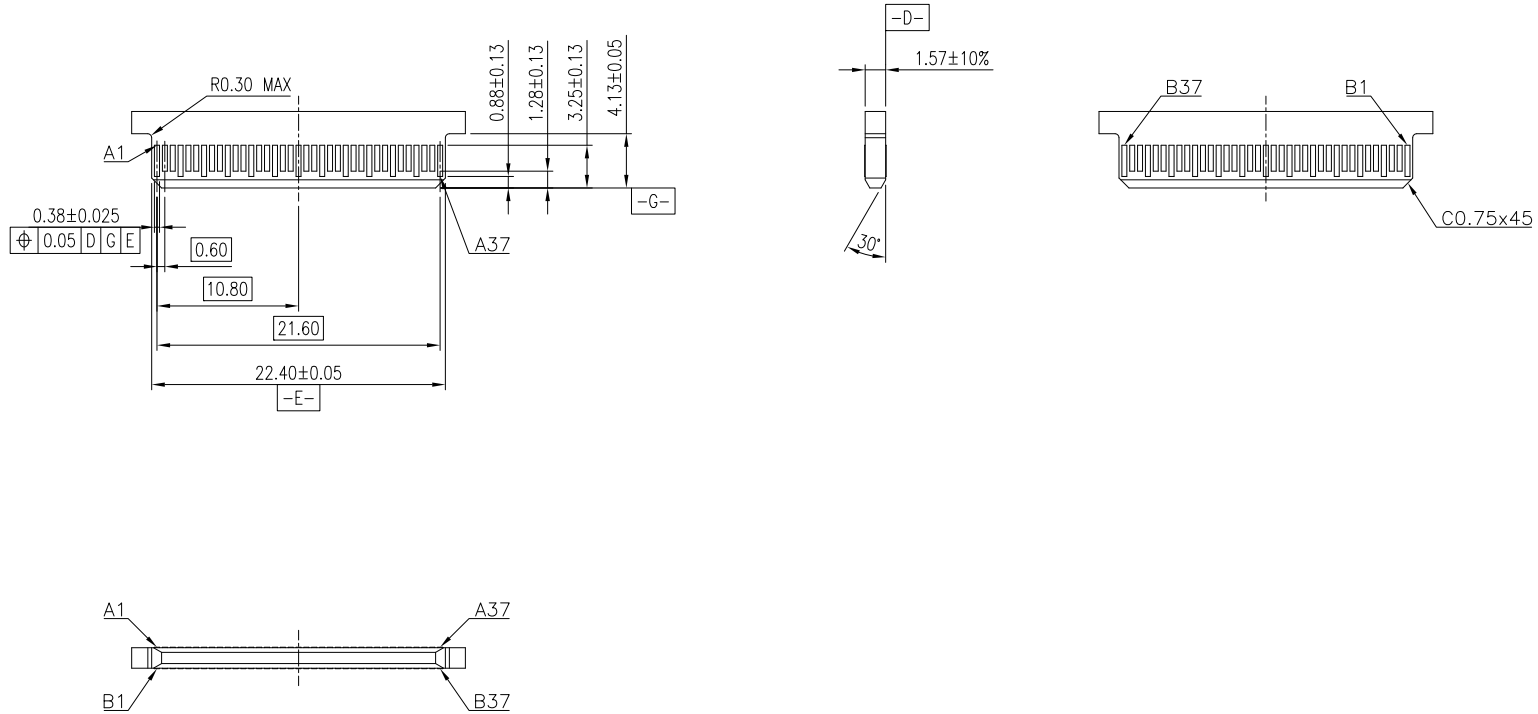
TOLERANCE X. ±0.30 X.X ±0.20 X.XX ±0.10 X.XXX ANGULAR ±2° UNLESS OTHERWISE SPECIFIED	DRAWN APPROVALS DESIGNED <b>Sondra Sang</b> CHECKED <b>Joan Lu</b> APPROVED <b>Hank Hsu</b> DWG TYPE CUST DWG	DATE 2020/07/16 2020/07/16 2020/07/16 PROJECT CODE T637	TITLE MINI COOL EDGE IO INTEGRATED CONNECTOR 0.6 PITCH, STANDARD RIGHT ANGLE SMT	Amphenol® Amphenol Corporation Amphenol Taiwan Corporation PART No. G42 R X 4 X X X X HR DWG No. G42RXXXXHR REV. AX21
	UNIT m m SCALE NA	SIZE A3 SHEET 2 OF 5		
	(ALL SMT TAIL) 0.10	(CONNECTOR & CABLE KEEP OUT AREA) 4-1.10	(CONNECTOR & CABLE KEEP OUT AREA) 4-0.50	
	(CONNECTOR & CABLE KEEP OUT AREA) 11.00	(CONNECTOR KEEP OUT AREA) 1.40±0.03	(CONNECTOR & CABLE KEEP OUT AREA) 5.00 REF.	

This document is the property of Amphenol Corporation and is delivered on the express condition that is not to be disclosed, reproduced or used, in whole or in part, for manufacture or sale by anyone other than Amphenol Corporation without its prior consent, and that no right is granted to disclose or to use any information in this document.

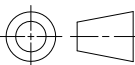
The marking on this product doesn't contain environmental hazardous materials per directive 2011/65/EU for RoHS compliant or per IEC 61249-2-21 for Halogen-Free compliant.



REVISIONS				
SYM	ECN No.	DESCRIPTION	DATE	BY
AX16	N/A	ADD PCB(ADD IN CARD) DWG / NOTE	2019.10.01	IH. LEE
AX17	N/A	ADD DIMENSIONS	2019.10.14	IH. LEE
AX18	N/A	ADD PLATING PN	2019.11.07	IH. LEE
AX19	N/A	CHANGE THE SHELL DESIGN	2020.01.30	IH. LEE
AX20	N/A	CANCELED 38P, 50P & 148P	2020.04.16	Sondra Sang
AX21	N/A	CHANGED HSG STAND-OFF	2020.07.16	Sondra Sang



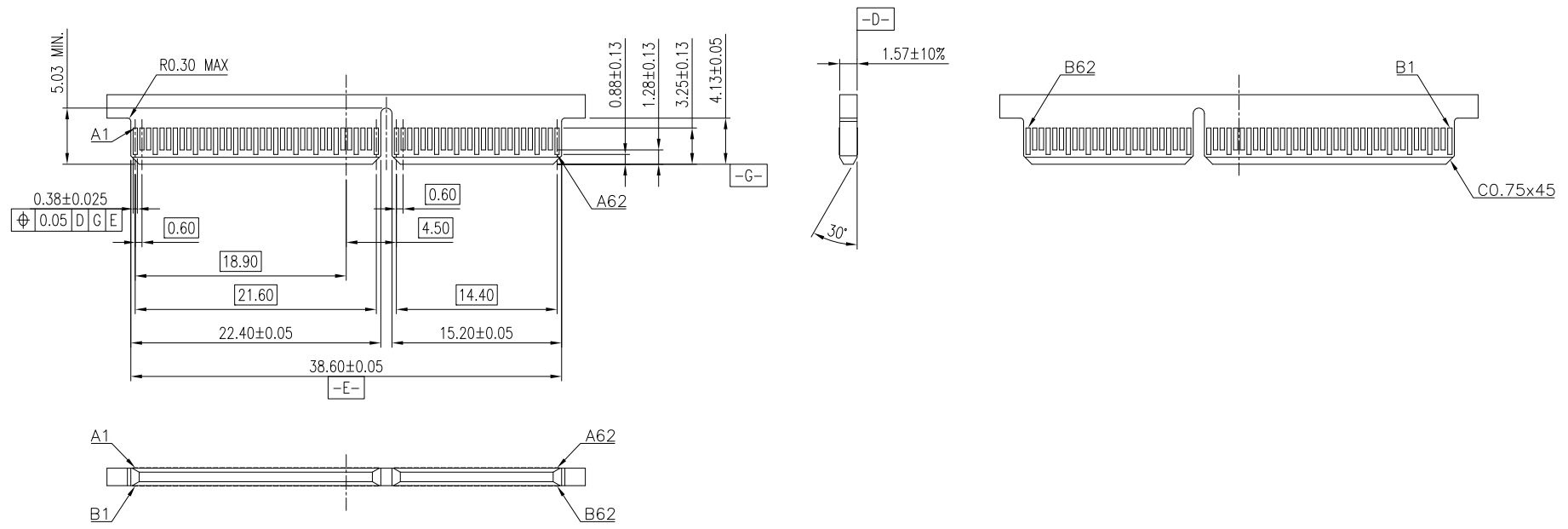
RECOMMENDED MATTING CARD DIMENSIONS (74 PIN)  
(GENERAL TOLERANCE: ±0.05)

TOLERANCE X. ±0.30 X.X ±0.20 X.XX ±0.10 X.XXX ANGULAR ±2° UNLESS OTHERWISE SPECIFIED	DRAWN	APPROVALS	DATE	TITLE	<b>Amphenol®</b> Amphenol Corporation Amphenol Taiwan Corporation
	DESIGNED	Sondra Sang	2020/07/16	MINI COOL EDGE IO INTEGRATED CONNECTOR 0.6 PITCH, STANDARD RIGHT ANGLE SMT	
	CHECKED	Joan Lu	2020/07/16		
	APPROVED	Hank Hsu	2020/07/16		
	DWG TYPE	CUST DWG	PROJECT CODE	T637	
	UNIT	mm	SCALE	NA	SIZE A3 SHEET 3 OF 5 PART No. G42 R X 2 X X X X HR DWG No. G42RXXXXHR REV. AX21

This document is the property of Amphenol Corporation and is delivered on the express condition that is not to be disclosed, reproduced or used, in whole or in part, for manufacture or sale by anyone other than Amphenol Corporation without its prior consent, and that no right is granted to disclose or to use any information in this document.  
 The marking on this product doesn't contain environmental hazardous materials per directive 2011/65/EU for RoHS compliant or per IEC 61249-2-21 for Halogen-Free compliant.



REVISIONS				
SYM	ECN No.	DESCRIPTION	DATE	BY
AX16	N/A	ADD PCB(ADD IN CARD) DWG / NOTE	2019.10.01	IH. LEE
AX17	N/A	ADD DIMENSIONS	2019.10.14	IH. LEE
AX18	N/A	ADD PLATING PN	2019.11.07	IH. LEE
AX19	N/A	CHANGE THE SHELL DESIGN	2020.01.30	IH. LEE
AX20	N/A	CANCELED 38P, 50P & 148P	2020.04.16	Sondra Sang
AX21	N/A	CHANGED HSG STAND-OFF	2020.07.16	Sondra Sang



RECOMMENDED MATTING CARD DIMENSIONS (124 PIN)  
 (GENERAL TOLERANCE: ±0.05)

TOLERANCE X. ±0.30 X.X ±0.20 X.XX ±0.10 X.XXX ANGULAR ±2° UNLESS OTHERWISE SPECIFIED	DRAWN APPROVALS DESIGNED <b>Sondra Sang</b>	DATE 2020/07/16	TITLE MINI COOL EDGE IO INTEGRATED CONNECTOR 0.6 PITCH, STANDARD RIGHT ANGLE SMT		UNIT mm	SIZE A3	<b>Amphenol®</b> Amphenol Corporation Amphenol Taiwan Corporation PART No. G42 R X X X X X X HR DWG No. G42RXXXXXHR REV. AX21
	CHECKED Joan Lu	2020/07/16			SCALE NA	SHEET 4 OF 5	
	APPROVED Hank Hsu	2020/07/16	PROJECT CODE T637		DWG No.		
	DWG TYPE CUST DWG	PROJECT CODE T637	SHEET 4 OF 5		REV. AX21		

