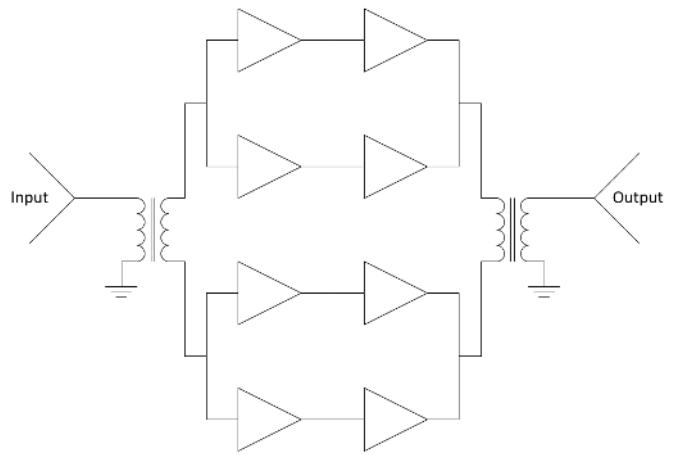


**500-6000 MHz High Gain Balanced Amplifier**

---

The Spectrolite product line leverages Silver Palm Technologies' field-proven proprietary designs into compact modules for military, commercial, and laboratory use. The high-dynamic range balanced amplifiers used in the Spectrolite products were conceived out of the need for RF performance not previously achievable with off-the-shelf components. The SPEC-A11HS-2 is a two-stage amplifier that offers excellent performance within the UHF to SHF bands. High gain, great second- and third-order intercept points, and low noise figure makes the SPEC-A11HS-2 an excellent amplifier for any high-dynamic range RF chain.

**SPEC-A11HS-2****SPEC-A11HS-2 Electrical Schematic****Features**

- High IP3
- Excellent Second-Order Performance
- Low Noise
- Low Power

**Applications**

- Base Station Infrastructure
- Portable Wireless
- LTE

## Electrical Specifications

All measurements are made at +25 °C unless otherwise noted.

**Table 1: Specifications**

Parameter	Symbol	Min.	Typ.	Max.	Unit
Frequency	<i>Freq.</i>	500	–	6000	MHz
Gain	<i>S<sub>21</sub></i>	–	23.6	–	dB
Noise Figure	<i>NF</i>	–	4.3	–	dB
Output Third-Order Intercept	<i>OIP<sub>3</sub></i>	–	+34	–	dBm
Output Second-Order Intercept	<i>OIP<sub>2</sub></i>	–	+65	–	dBm
Output Power at 1dB Compression	<i>P1dB</i>	–	26.0	–	dBm
Input VSWR	<i>VSWR1</i>	–	1.31 : 1	–	–
Output VSWR	<i>VSWR2</i>	–	1.41 : 1	–	–
Dimensions	–	–	2.5" x 2.6" x .71"	–	in
Weight	–	–	.25	–	lbs
Power	–	–	3.30	–	Watts
Current at +5.5V	–	–	.600	–	Amps
Supply Voltage	–	+5.5	–	+16	Volts

## Absolute Maximum Ratings Without Damage

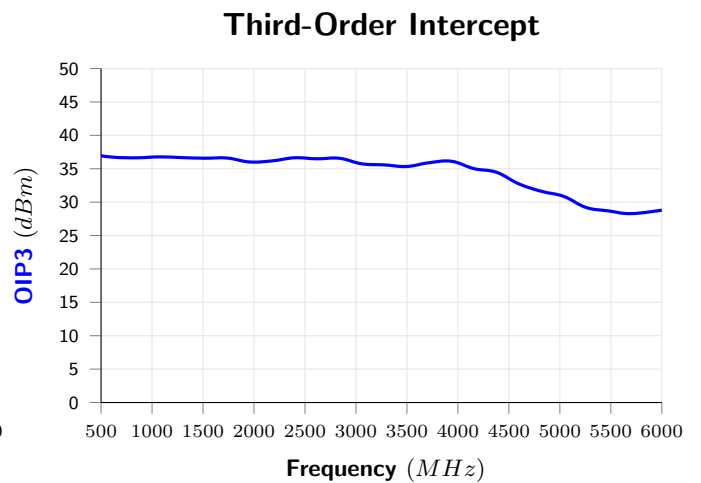
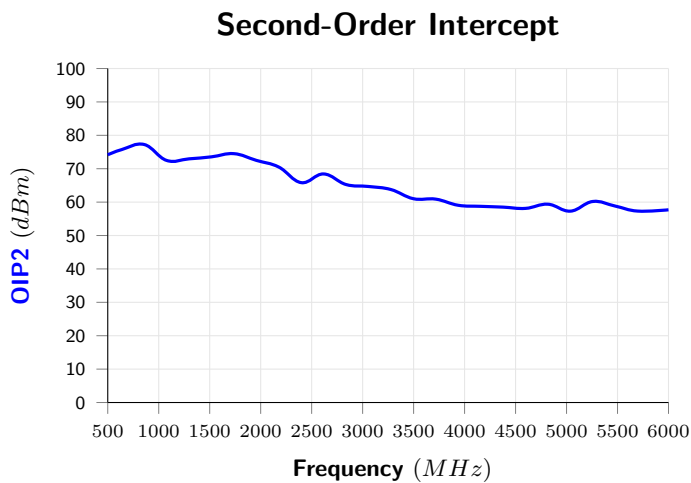
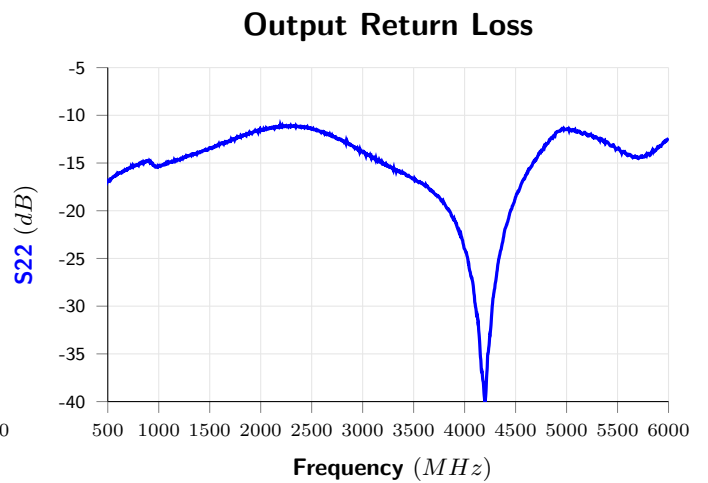
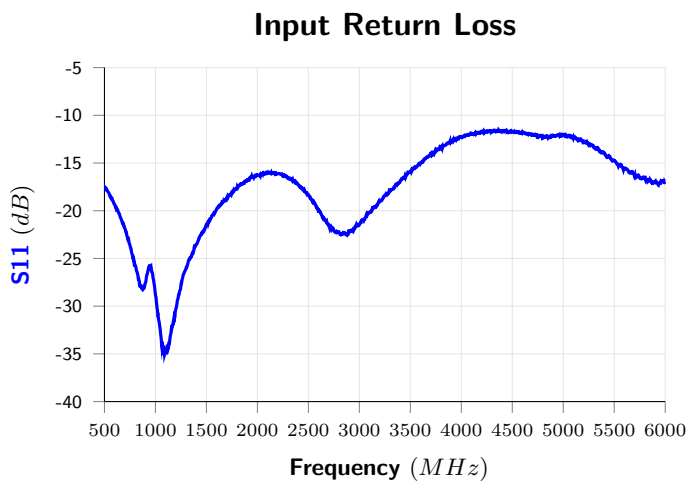
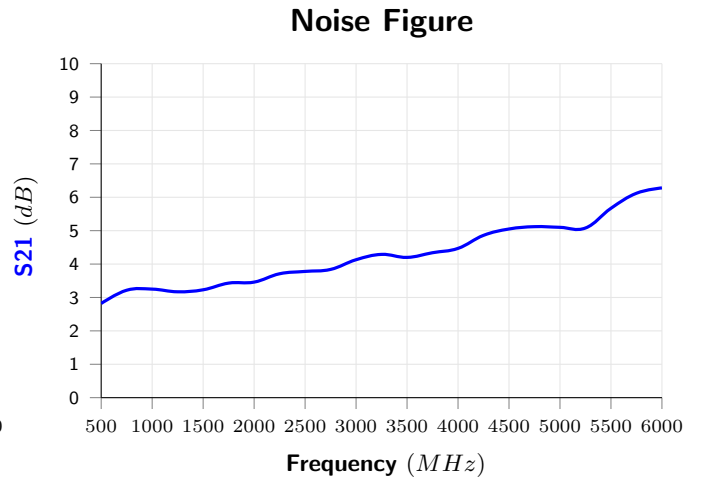
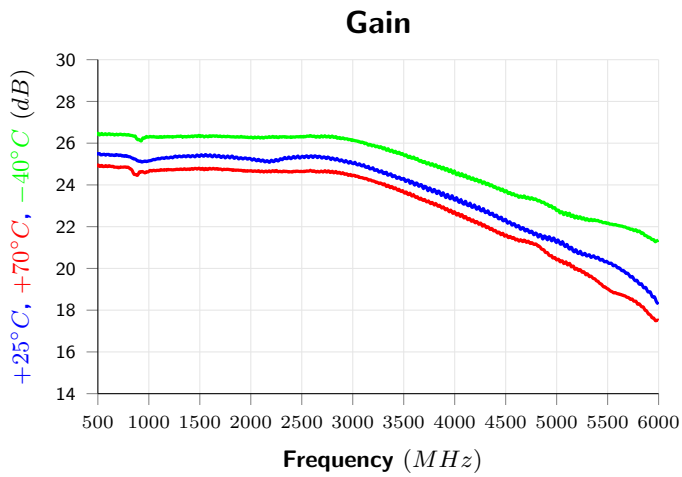
Stresses above those listed under Absolute Maximum Ratings will cause permanent damage to the module.

**Table 2: Absolute Maximum Ratings**

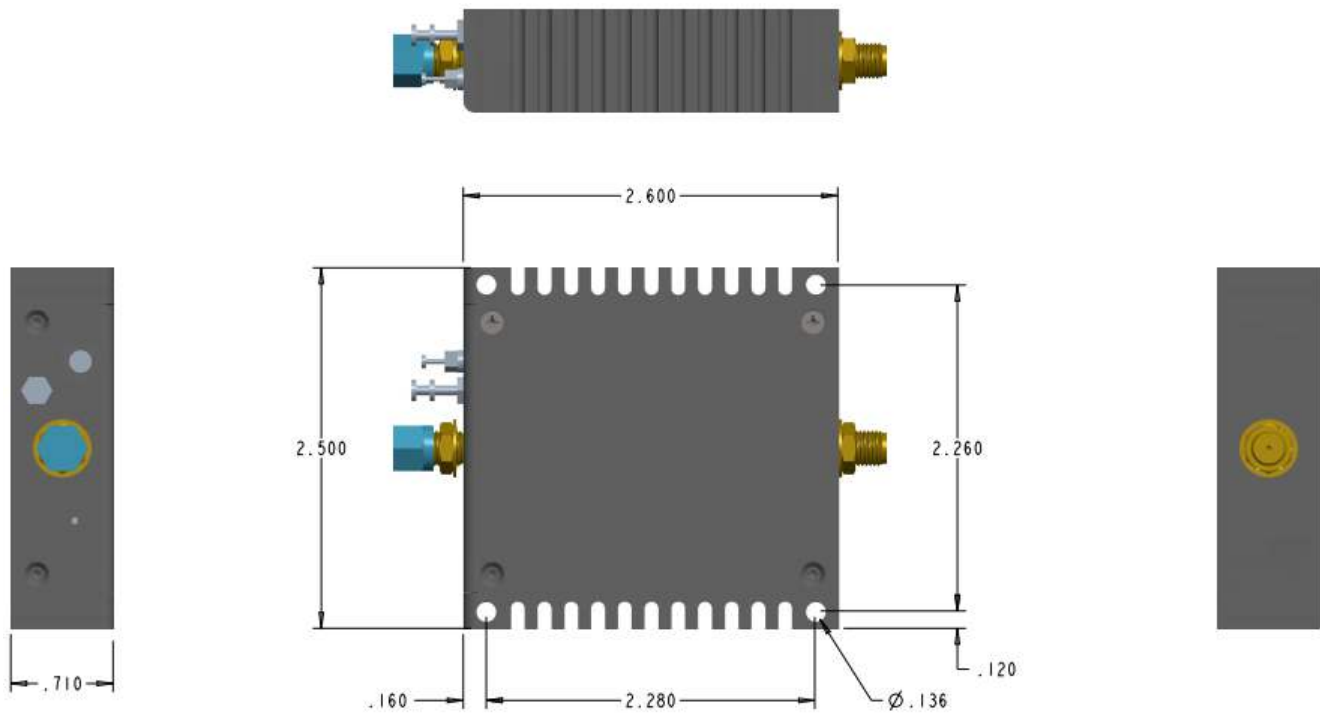
Parameter	Rating
Storage Temperature	-65 to +150 °C
Operational Temperature	-40 to +70 °C
Supply Voltage	+20V
Maximum Continuous RF Input Power	+26dBm

## Typical Performance Data

All measurements are made at +25 °C unless otherwise noted.



## Product Dimensions



## Ordering Options

We offer RoHS compliant and RoHS non-compliant options.

Spectrolite Product Number	RoHS
SPEC-A11HS-2	RoHS Non-Compliant
SPEC-A11HS-2#PBF	RoHS Compliant