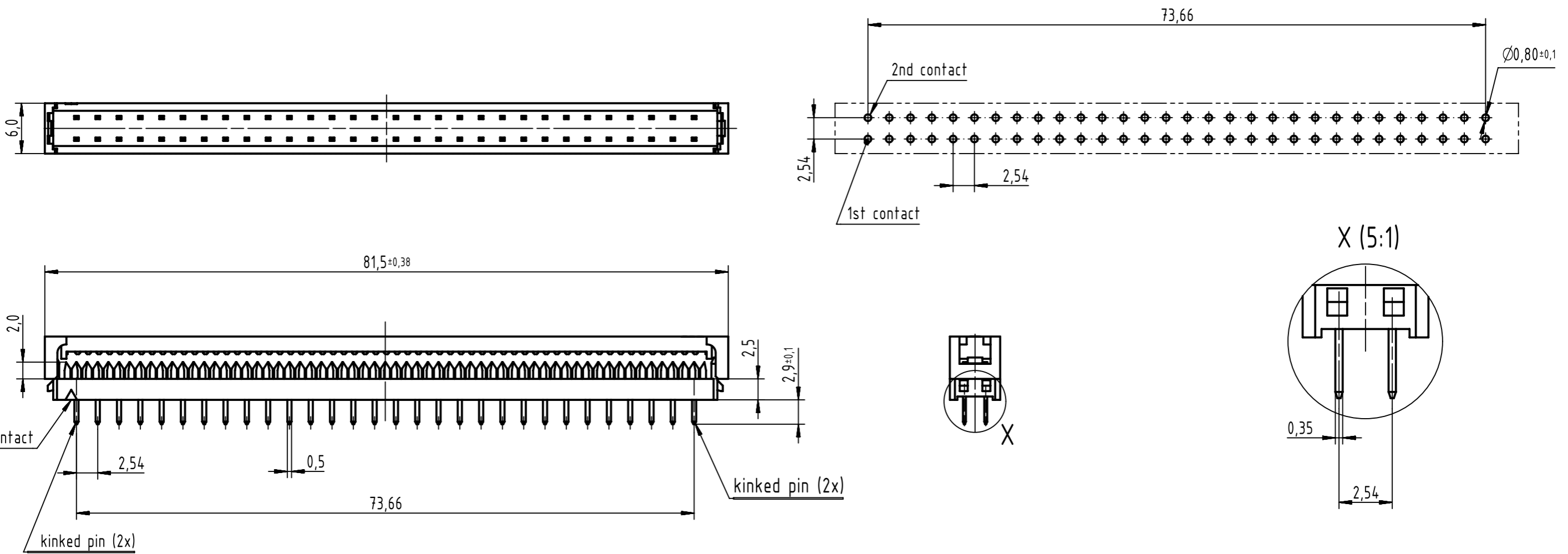
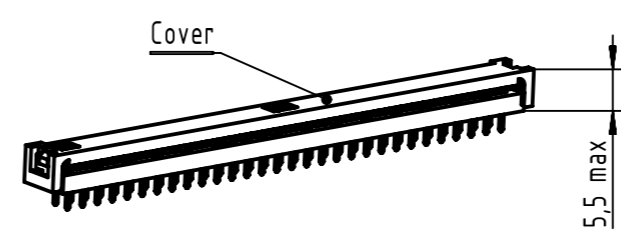


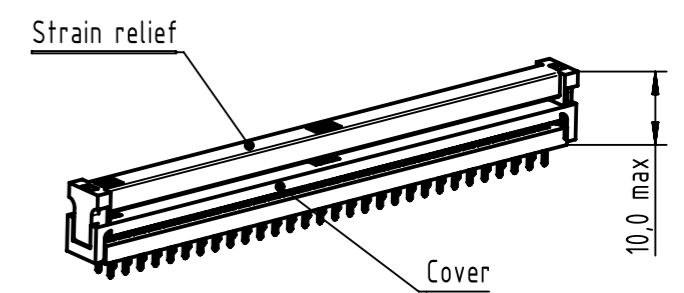
# PCB layout, component side



Assembled cover without strain relief



Assembled cover with strain relief



Numbering system:

0918 160 962X

- 2: Pre-assembled cover and without strain relief
- 3: Pre-assembled cover and with strain relief
- 4: Non-assembled cover and without strain relief
- 5: Non-assembled cover and with strain relief

Note: strain relief can be ordered separately: P/N 0918 160 9002  
 technical information available on separate document ref.: DS 09185100600

Part Number	Packing quantity
0918 160 962X	50pcs/packing

All rights reserved Department EC PD - CN HARTING Electronics GmbH D-32339 Espelkamp	All Dimensions in mm Original Size DIN A3	Scale 2:1 Free size tol.	Ref. Sub.	Created by ZHUANGJ Inspected by LUOK Standardisation HOFFMANN Date 2015-11-16 State Final Release	Doc-Key / ECM-Nr. 100648026/UGD/000/A 50000096926
	Title SEK 2rows 60-pole straight pin assembly Type TB Number 0918160962X	Rev. A Page 1/1			