

THIS DRAWING IS UNPUBLISHED.

RELEASED FOR PUBLICATION

ALL RIGHTS RESERVED.

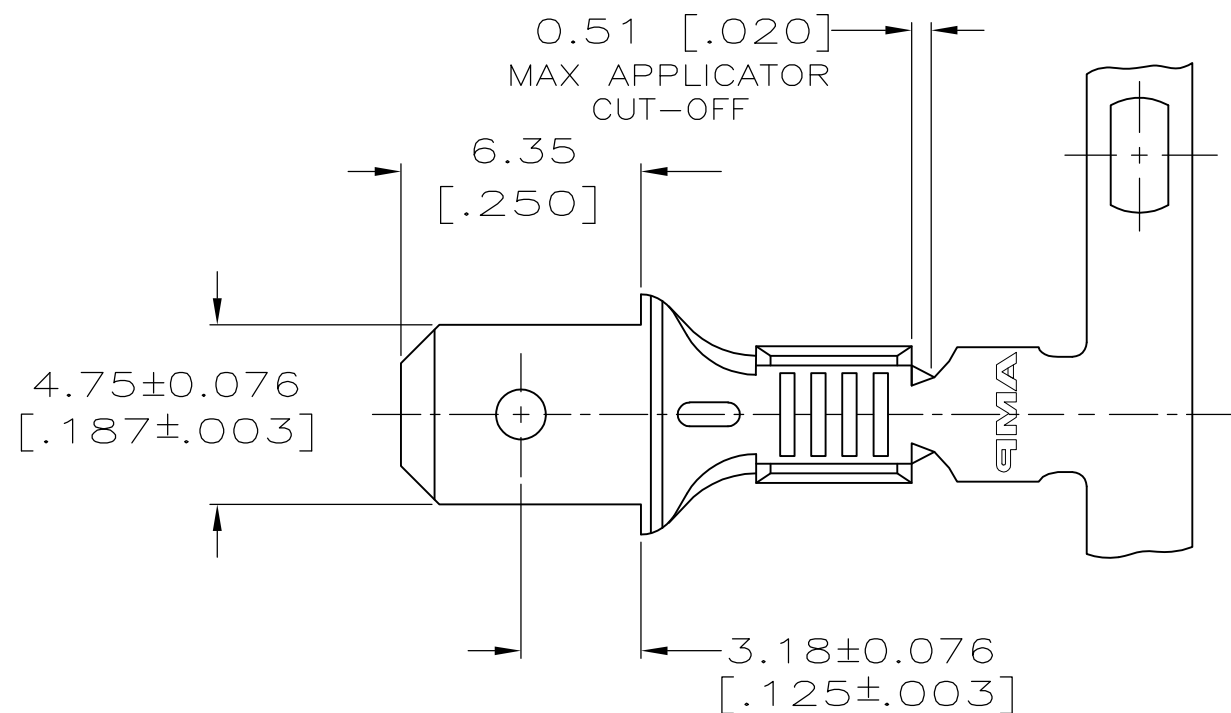
© COPYRIGHT - By -

LOC
AF

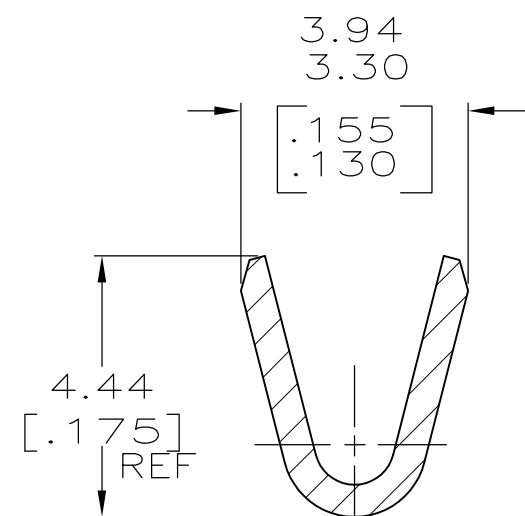
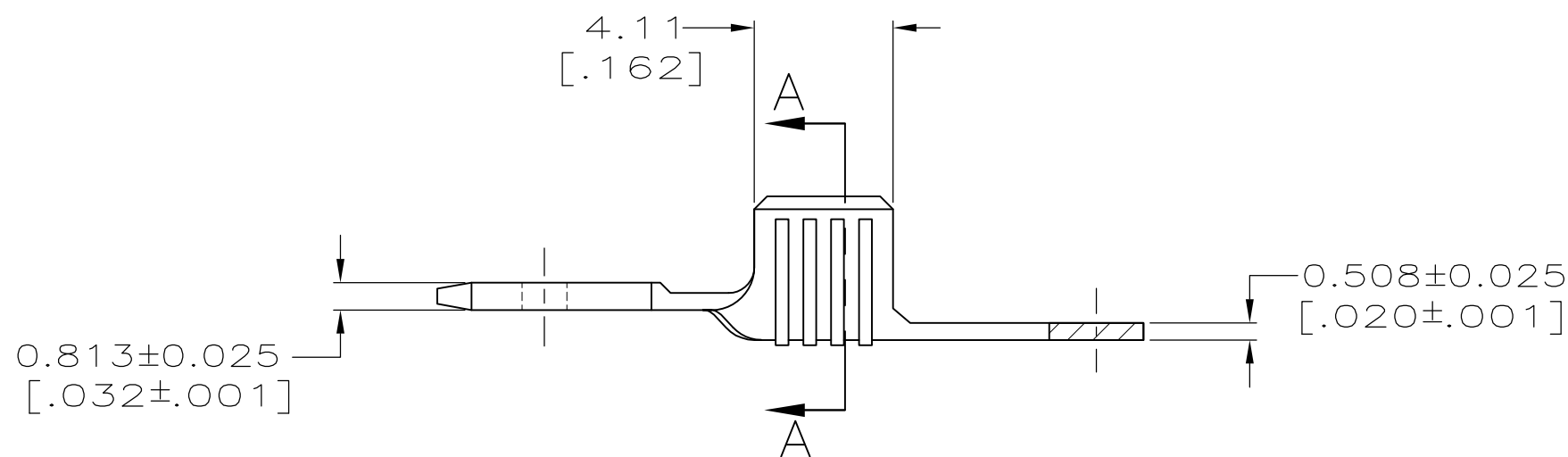
DIST
50

REVISIONS

P	LTR	DESCRIPTION	DATE	DWN	APVD
C		REVISED PER ECR-13-011489	29NOV2013	KH	PD




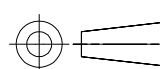
- 1 CONTINUOUS STRIP ON REELS.
- 2 WIRE SIZE TO BE [#18-#14] AWG.



SECTION A-A

63919-1

PART NO.

THIS DRAWING IS A CONTROLLED DOCUMENT.		DWN JR RUTH 7/1/96	 TE Connectivity				
DIMENSIONS: mm [INCHES]		CHK MS FEHER 7/1/96					
TOLERANCES UNLESS OTHERWISE SPECIFIED: 0 PLC ± - 1 PLC ± - 2 PLC ± 0.25 [.010] 3 PLC ± - 4 PLC ± - ANGLES ± -		APVD P DESANTIS 7/1/96	NAME				
		PRODUCT SPEC	TAB, FASTON, 4.75 [.187] SERIES				
MATERIAL BRASS		FINISH TIN	APPLICATION SPEC	SIZE A3	CAGE CODE 00779	DRAWING NO C-63919	RESTRICTED TO
CUSTOMER DRAWING			WEIGHT -	SCALE 5:1	SHEET 1 OF 1	REV C	