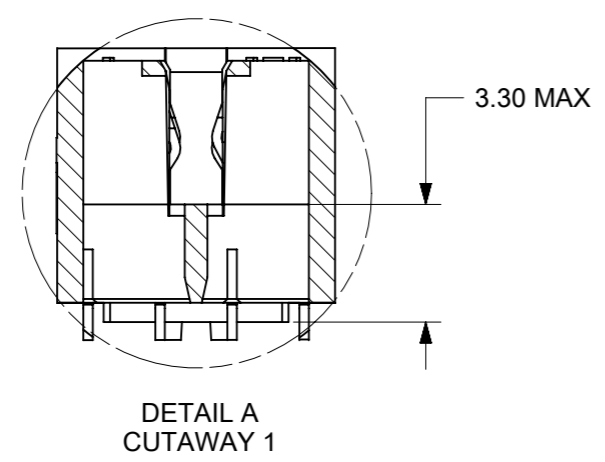
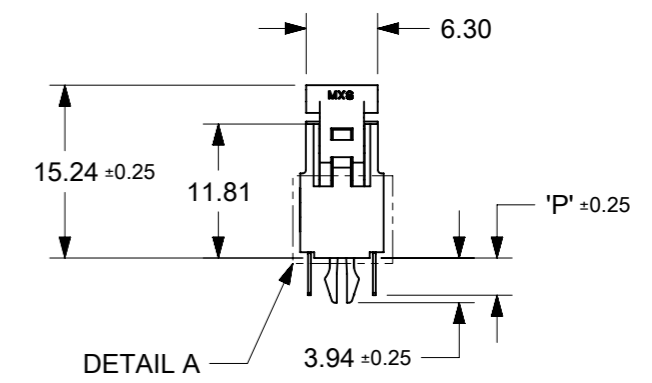
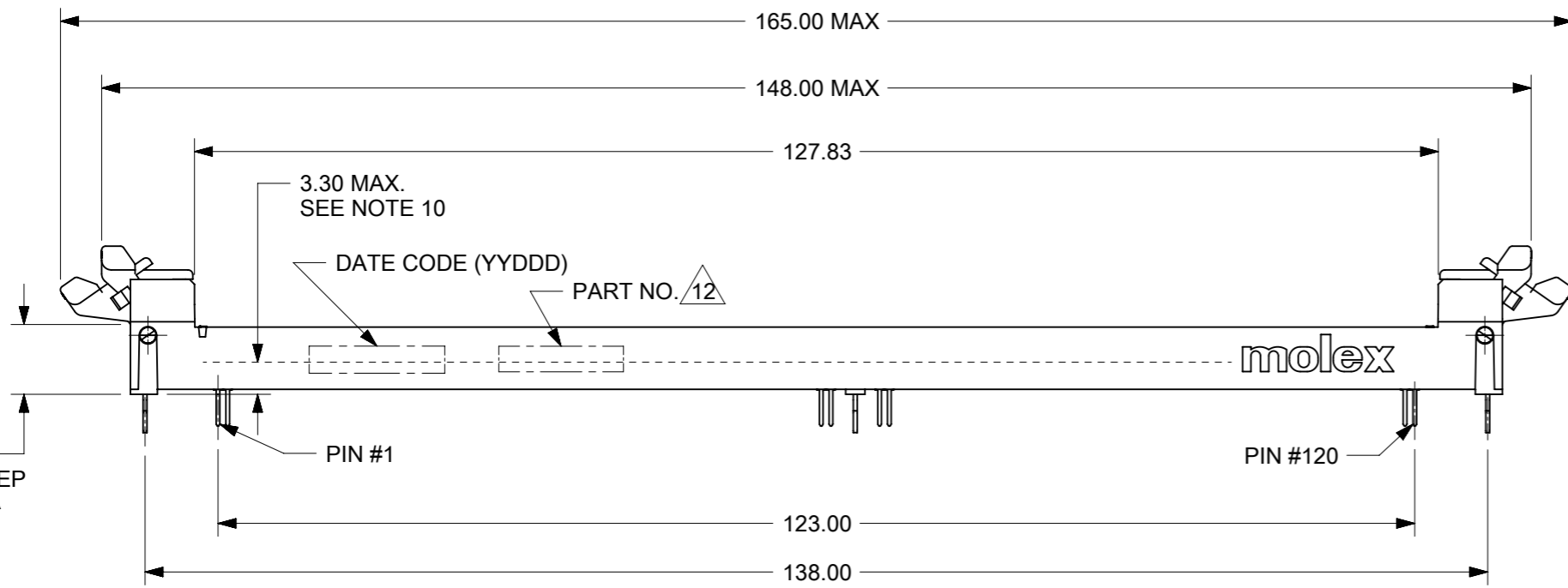
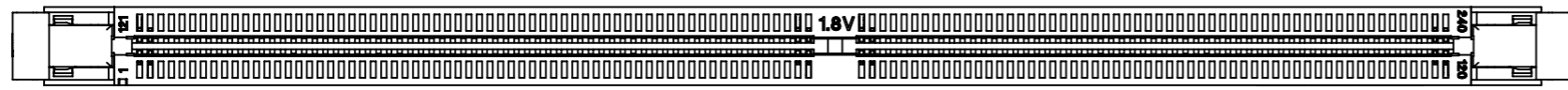
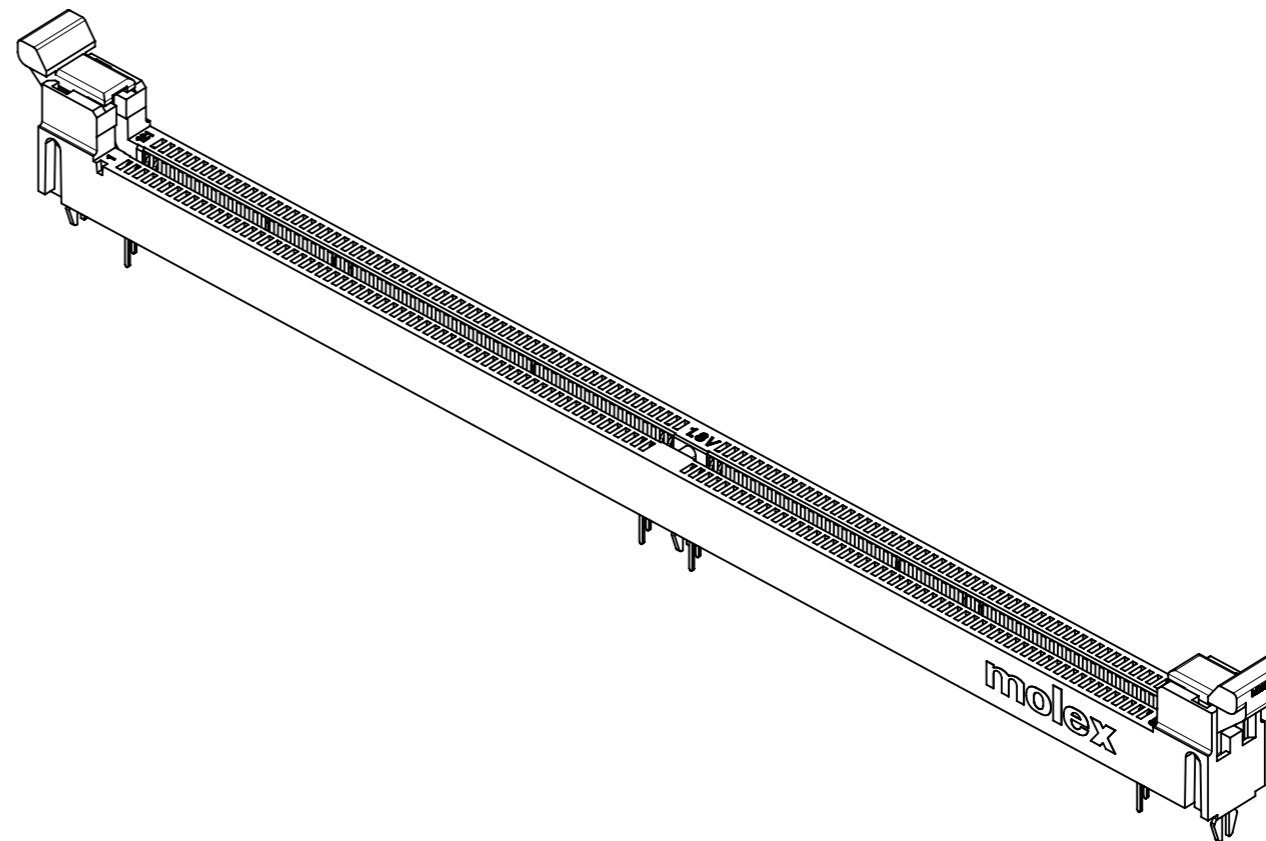
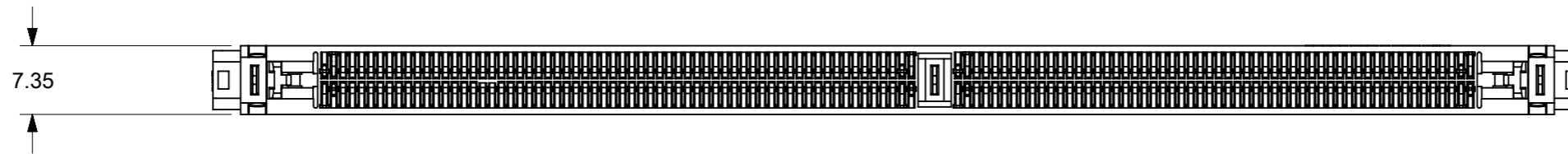


NOTES:

1. MATERIALS
 HOUSING - HIGH TEMP. NYLON GLASS FILLED, UL 94 V-0, BLACK.
 EJECTOR - HIGH TEMP. NYLON GLASS FILLED, UL 94 V-0, BLACK.
 TERMINAL - COPPER ALLOY
2. PLATING - SEE TABLE IN SHEET 5.
3. CARD SLOT ACCEPTS 1.27±0.10 MM MODULE THICKNESS.
 (MEASURED OVER P.C. PADS)
4. RECOMMENDED MODULE LAYOUT SHALL BE AS PER JEDEC MO-237.
5. REFER TO PRODUCT SPEC. PS-87978-013 FOR PERFORMANCE SPECIFICATIONS.
6. PRODUCT SHALL BE PACKED IN TRAY.
7. PRODUCT SHALL HAVE DATE CODE STAMPED ON SIDE OF HOUSING.
8. KEEP OUT AREA IS THE AREA WHERE THE CONNECTOR IS MOUNTED ONTO THE PCB WHICH DOES NOT INCLUDE THE LATCH.
9. REFER TO CRITICAL JEDEC INFORMATION FOR SOCKET OUTLINE PER SO-001.
10. DIMM MODULE SEATING PLANE FROM TOP OF PCB.
11. CONTACT MOLEX FOR AVAILABILITY OF PRODUCT OPTIONS.
12. PART NUMBER SHALL BE MARKED LEGIBLY AS 87978-****



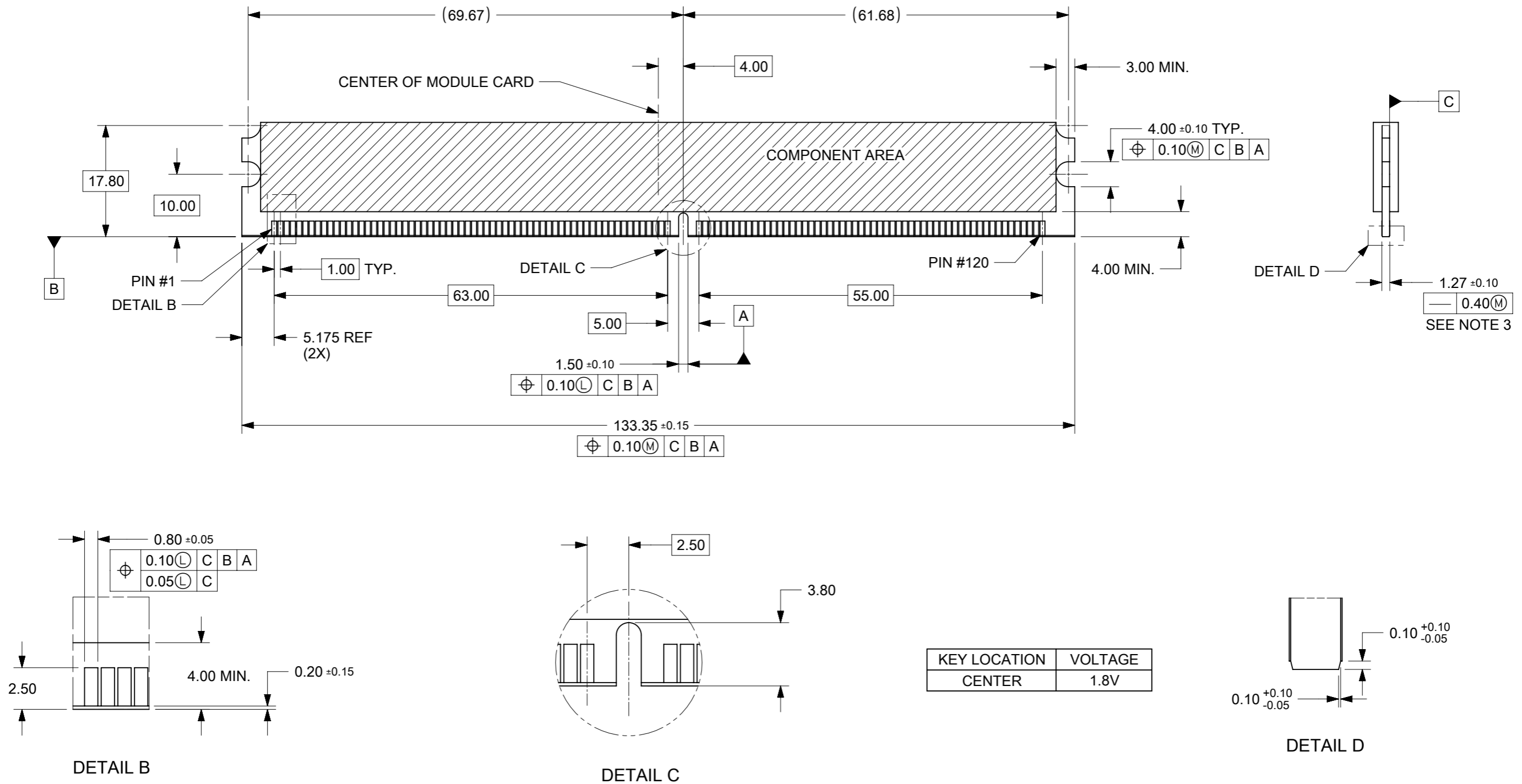
THIS DRAWING CONTAINS INFORMATION THAT IS PROPRIETARY TO MOLEX ELECTRONIC TECHNOLOGIES, LLC AND SHOULD NOT BE USED WITHOUT WRITTEN PERMISSION											
DIMENSION UNITS		SCALE		CURRENT REV DESC: OBSOLETE PART NUMBER						molex	
mm		NTS									
GENERAL TOLERANCES (UNLESS SPECIFIED)				EC NO: 655037		2021/01/13		SD-87978-001		DOC TYPE DOC PART REVISION	
				DRWN: VLOKESHA		2021/03/16		PSD		001 B1	
				CHK'D: GGA		2021/03/16		PRODUCT CUSTOMER DRAWING			
				APPR: GGA		2021/03/16					
				INITIAL REVISION:							
				DRWN: CCTEH		2005/01/03					
				APPR: GGLEE		2005/08/30					
ANGULAR TOL ± 5.0°				THIRD ANGLE PROJECTION		DRAWING		SERIES		MATERIAL NUMBER	
DRAFT WHERE APPLICABLE MUST REMAIN WITHIN DIMENSIONS				A3-SIZE		87978		SEE TABLE		CUSTOMER GENERAL MARKET	
										SHEET NUMBER 1 OF 5	



THIS DRAWING CONTAINS INFORMATION THAT IS PROPRIETARY TO MOLEX ELECTRONIC TECHNOLOGIES, LLC AND SHOULD NOT BE USED WITHOUT WRITTEN PERMISSION															
DIMENSION UNITS		SCALE		CURRENT REV DESC: OBSOLETE PART NUMBER				molex							
mm		NTS													
GENERAL TOLERANCES (UNLESS SPECIFIED)				EC NO: 655037 DRWN: VLOKESHA 2021/01/13 CHK'D: GGA 2021/03/16 APPR: GGA 2021/03/16 INITIAL REVISION: DRWN: CCTEH 2005/01/03 APPR: GGLEE 2005/08/30				DDR2 DIMM, 1MM PITCH 240 CKTS, FORK-LOCK VERS VLP LATCH							
								PRODUCT CUSTOMER DRAWING							
4 PLACES ±		±						DOCUMENT NUMBER				DOC TYPE		DOC PART	
3 PLACES ±		±						SD-87978-001				PSD		001	
2 PLACES ±		0.2						REVISION				B1			
1 PLACE ±		±		MATERIAL NUMBER				CUSTOMER							
0 PLACES ±		±		SEE TABLE				GENERAL MARKET							
ANGULAR TOL ± 5.0°				THIRD ANGLE PROJECTION		DRAWING		SERIES		SHEET NUMBER					
DRAFT WHERE APPLICABLE MUST REMAIN WITHIN DIMENSIONS						A3-SIZE		87978		2 OF 5					

DOCUMENT STATUS	P1	RELEASE DATE	2021/03/16	13:03:18
-----------------	----	--------------	------------	----------

RECOMMENDED MODULE LAYOUT

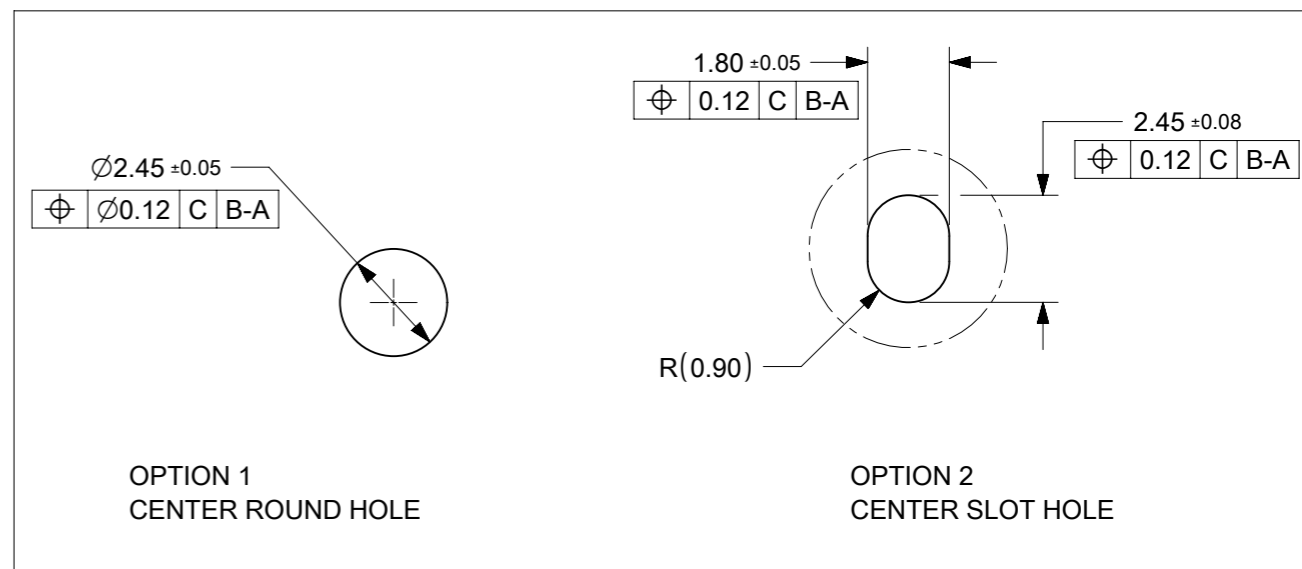


KEY LOCATION	VOLTAGE
CENTER	1.8V

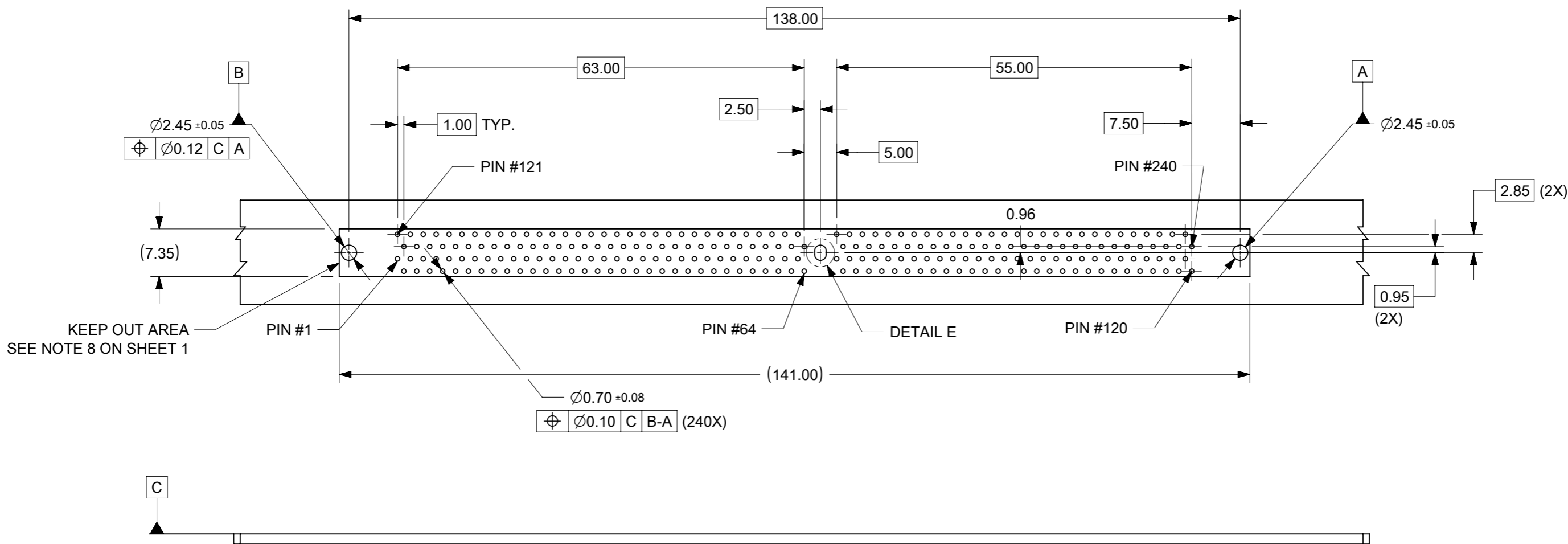
NOTES:
1. MODULE CARD USED FOR TESTS ARE WITH 0.10MM CHAMFER.

THIS DRAWING CONTAINS INFORMATION THAT IS PROPRIETARY TO MOLEX ELECTRONIC TECHNOLOGIES, LLC AND SHOULD NOT BE USED WITHOUT WRITTEN PERMISSION		CURRENT REV DESC: OBSOLETE PART NUMBER																																																
<table border="1"> <tr> <th>DIMENSION UNITS</th> <th>SCALE</th> </tr> <tr> <td>mm</td> <td>NTS</td> </tr> </table>		DIMENSION UNITS	SCALE			mm	NTS	<table border="1"> <tr> <th colspan="2">GENERAL TOLERANCES (UNLESS SPECIFIED)</th> </tr> <tr> <th>MM</th> <th>INCH</th> </tr> <tr> <td>4 PLACES ±</td> <td>±</td> </tr> <tr> <td>3 PLACES ±</td> <td>±</td> </tr> <tr> <td>2 PLACES ±</td> <td>0.2 ±</td> </tr> <tr> <td>1 PLACE ±</td> <td>±</td> </tr> <tr> <td>0 PLACES ±</td> <td>±</td> </tr> <tr> <td colspan="2">ANGULAR TOL ± 5.0°</td> </tr> </table>		GENERAL TOLERANCES (UNLESS SPECIFIED)		MM	INCH	4 PLACES ±	±	3 PLACES ±	±	2 PLACES ±	0.2 ±	1 PLACE ±	±	0 PLACES ±	±	ANGULAR TOL ± 5.0°		<table border="1"> <tr> <td>EC NO: 655037</td> <td>2021/01/13</td> </tr> <tr> <td>DRWN: VLOKESHA</td> <td>2021/03/16</td> </tr> <tr> <td>CHK'D: GGA</td> <td>2021/03/16</td> </tr> <tr> <td>APPR: GGA</td> <td></td> </tr> </table>		EC NO: 655037	2021/01/13	DRWN: VLOKESHA	2021/03/16	CHK'D: GGA	2021/03/16	APPR: GGA		<table border="1"> <tr> <td colspan="3">PRODUCT CUSTOMER DRAWING</td> </tr> <tr> <td>DOCUMENT NUMBER</td> <td>DOC TYPE</td> <td>DOC PART</td> </tr> <tr> <td>SD-87978-001</td> <td>PSD</td> <td>001</td> </tr> <tr> <td>REVISION</td> <td colspan="2"></td> </tr> <tr> <td>B1</td> <td colspan="2"></td> </tr> </table>		PRODUCT CUSTOMER DRAWING			DOCUMENT NUMBER	DOC TYPE	DOC PART	SD-87978-001	PSD	001	REVISION			B1
DIMENSION UNITS	SCALE																																																	
mm	NTS																																																	
GENERAL TOLERANCES (UNLESS SPECIFIED)																																																		
MM	INCH																																																	
4 PLACES ±	±																																																	
3 PLACES ±	±																																																	
2 PLACES ±	0.2 ±																																																	
1 PLACE ±	±																																																	
0 PLACES ±	±																																																	
ANGULAR TOL ± 5.0°																																																		
EC NO: 655037	2021/01/13																																																	
DRWN: VLOKESHA	2021/03/16																																																	
CHK'D: GGA	2021/03/16																																																	
APPR: GGA																																																		
PRODUCT CUSTOMER DRAWING																																																		
DOCUMENT NUMBER	DOC TYPE	DOC PART																																																
SD-87978-001	PSD	001																																																
REVISION																																																		
B1																																																		
<table border="1"> <tr> <td>DRAFT WHERE APPLICABLE MUST REMAIN WITHIN DIMENSIONS</td> <td>THIRD ANGLE PROJECTION</td> <td>DRAWING</td> <td>SERIES</td> <td>MATERIAL NUMBER</td> <td>CUSTOMER</td> <td>SHEET NUMBER</td> </tr> <tr> <td></td> <td></td> <td>A3-SIZE</td> <td>87978</td> <td>SEE TABLE</td> <td>GENERAL MARKET</td> <td>3 OF 5</td> </tr> </table>		DRAFT WHERE APPLICABLE MUST REMAIN WITHIN DIMENSIONS	THIRD ANGLE PROJECTION	DRAWING	SERIES	MATERIAL NUMBER	CUSTOMER	SHEET NUMBER			A3-SIZE	87978	SEE TABLE	GENERAL MARKET	3 OF 5																																			
DRAFT WHERE APPLICABLE MUST REMAIN WITHIN DIMENSIONS	THIRD ANGLE PROJECTION	DRAWING	SERIES	MATERIAL NUMBER	CUSTOMER	SHEET NUMBER																																												
		A3-SIZE	87978	SEE TABLE	GENERAL MARKET	3 OF 5																																												

(SEE RECOMMENDED THICKNESS IN TABLE)
 RECOMMENDED PCB LAYOUT
 CONNECTOR SIDE



DETAIL E



THIS DRAWING CONTAINS INFORMATION THAT IS PROPRIETARY TO MOLEX ELECTRONIC TECHNOLOGIES, LLC AND SHOULD NOT BE USED WITHOUT WRITTEN PERMISSION											
DIMENSION UNITS		SCALE		CURRENT REV DESC: OBSOLETE PART NUMBER							
mm		NTS									
GENERAL TOLERANCES (UNLESS SPECIFIED)											
		MM		INCH							
4 PLACES		±		±		EC NO: 655037					
3 PLACES		±		±		DRWN: VLOKESHA 2021/01/13					
2 PLACES		± 0.2		±		CHK'D: GGA 2021/03/16					
1 PLACE		±		±		APPR: GGA 2021/03/16					
0 PLACES		±		±		INITIAL REVISION:					
ANGULAR TOL		± 5.0°		±		DRWN: CCTEH 2005/01/03					
						APPR: GGLEE 2005/08/30					
DRAFT WHERE APPLICABLE MUST REMAIN WITHIN DIMENSIONS				THIRD ANGLE PROJECTION		DRAWING		SERIES		MATERIAL NUMBER	
						A3-SIZE		87978		SEE TABLE	
						GENERAL MARKET		CUSTOMER		SHEET NUMBER	
						GENERAL MARKET		GENERAL MARKET		4 OF 5	

DOCUMENT STATUS	P1	RELEASE DATE	2021/03/16	13:03:18
-----------------	----	--------------	------------	----------

PART NO.	KEY POS.	DIM 'P'	RECOMMENDED PCB THICKNESS	PLATING OPTION	LATCH COLOR
87978-0021	CENTER (1.8V)	2.67	1.57	0.38uM / 15 uIN MIN. GOLD ON CONTACT, 2.54uM/ 100uIN MIN. TIN ON SOLDERTAILS, 1.27uM/ 50uIN MIN. NICKEL UNDERPLATE	BLACK
87978-1021	CENTER (1.8V)	3.18	2.36		
87978-0031	CENTER (1.8V)	2.67	1.57	0.03uM / 1 uIN MIN. GOLD ON CONTACT, 2.54uM/ 100uIN MIN. TIN ON SOLDERTAILS, 1.27uM/ 50uIN MIN. NICKEL UNDERPLATE	
87978-1031	CENTER (1.8V)	3.18	2.36		
87978-0051	CENTER (1.8V)	2.67	1.57	0.76uM / 30 uIN MIN. GOLD ON CONTACT, 2.54uM/ 100uIN MIN. TIN ON SOLDERTAILS, 1.27uM/ 50uIN MIN. NICKEL UNDERPLATE	

THIS DRAWING CONTAINS INFORMATION THAT IS PROPRIETARY TO MOLEX ELECTRONIC TECHNOLOGIES, LLC AND SHOULD NOT BE USED WITHOUT WRITTEN PERMISSION									
DIMENSION UNITS		SCALE		CURRENT REV DESC: OBSOLETE PART NUMBER				molex	
mm		NTS							
GENERAL TOLERANCES (UNLESS SPECIFIED)				EC NO: 655037		2021/01/13		DDR2 DIMM, 1MM PITCH	
				DRWN: VLOKESHA		2021/03/16		240 CKTS, FORK-LOCK VERS VLP LATCH	
				CHK'D: GGA		2021/03/16		PRODUCT CUSTOMER DRAWING	
				APPR: GGA		2021/03/16			
				INITIAL REVISION:				DOCUMENT NUMBER	
				DRWN: CCTEH		2005/01/03		SD-87978-001	
				APPR: GGLEE		2005/08/30		PSD 001 B1	
ANGULAR TOL ± 5.0°				DRAFT WHERE APPLICABLE MUST REMAIN WITHIN DIMENSIONS		THIRD ANGLE PROJECTION		DRAWING	
						A3-SIZE		SERIES	
						87978		MATERIAL NUMBER	
						SEE TABLE		CUSTOMER	
						GENERAL MARKET		SHEET NUMBER	
						5 OF 5			