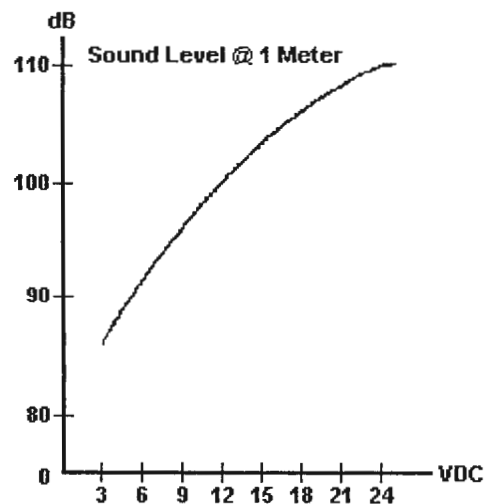
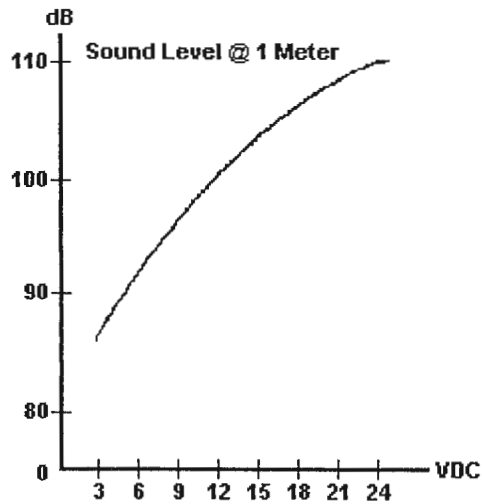
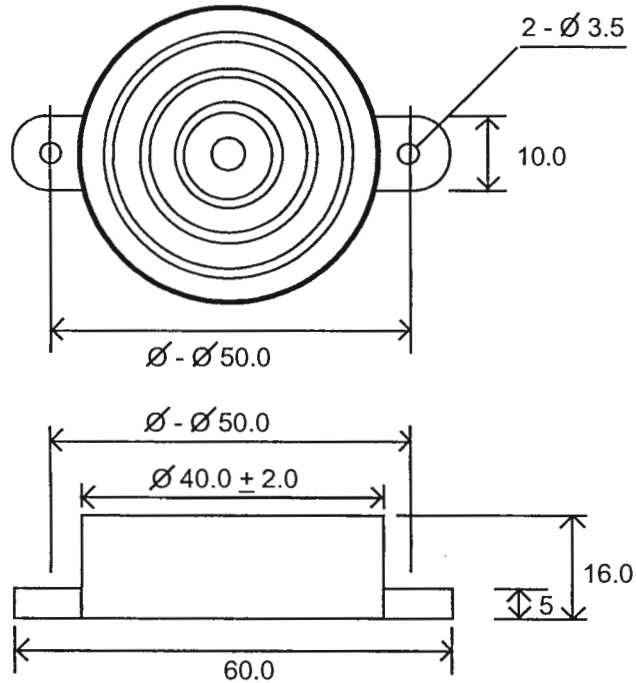


PIEZO ELECTRIC ALARM

with Internal Circuitry - RoHS Compliant
BRP4016L-12-C & BRP4016L-12-CP Series



SPECIFICATIONS

Model No.	BRP4016L-12-C BRP4016L-12-CP
Operating Voltage (V)	3 ~ 24
Frequency (KHz)	2800 \pm 300
Current @ 12V (mA)	18
Output @ 12V (dB/100cm)	100
Temperature ($^{\circ}$ C)	-20 to + 60
Tone Mode	Continuous or Pulse

2 Leadwires - Red (positive), Black (negative)
 Wire Length - 135 mm \pm 10%
 Wire Gauge - 26 AWG - UL1571
 Plastic Housing - Cycloc Flame Retardant V520

INTERVOX
International ©

International Components Corporation

215 McCormick Drive, Bohemia, NY 11716 631-952-9595 Fax: 631-952-9597 Web: www.icc107.com

Title:
Piezo Electric Alarm with Internal Circuitry

Code	Intervox Model #	Rev
G14	BRP4016L-12-C & BRP4016L-12-CP	A

Scale:	Date:	Sheet of
mm	12/16/10	1 1