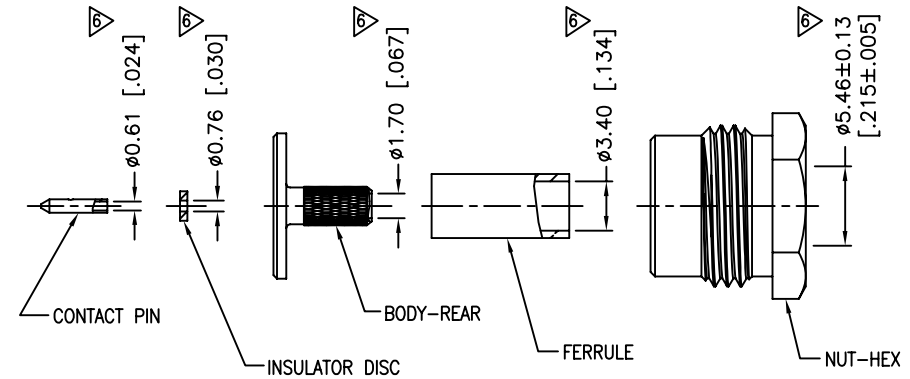
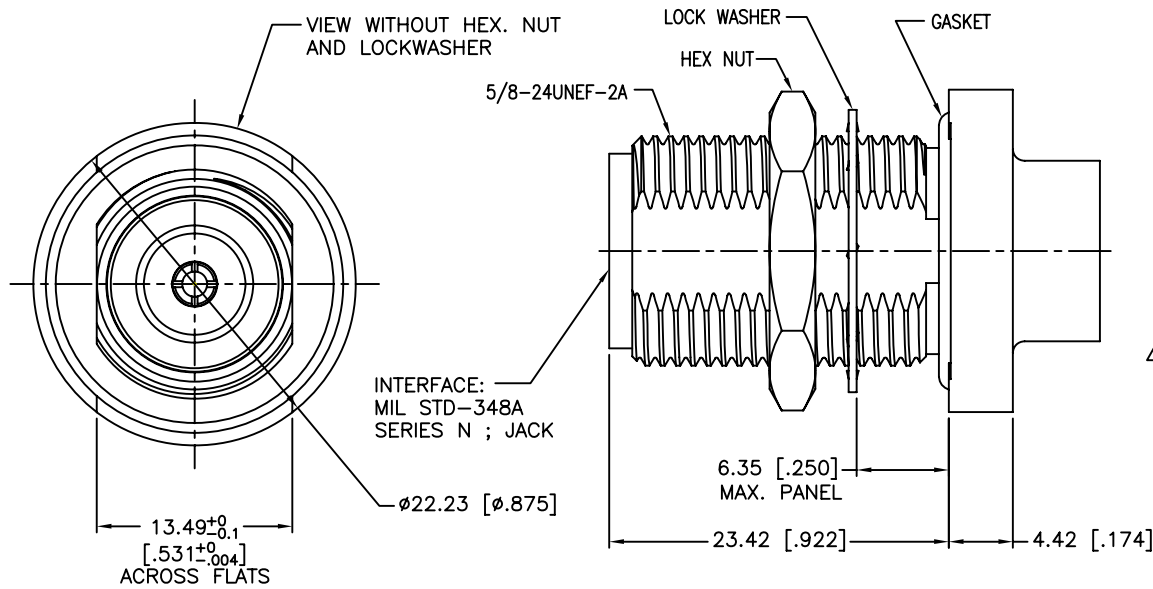
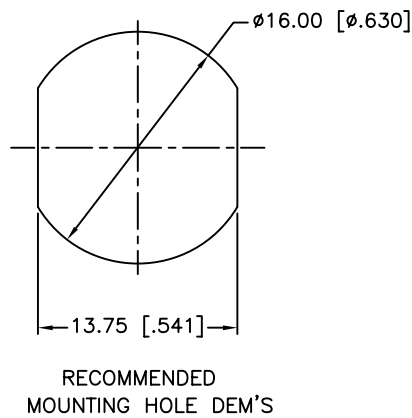
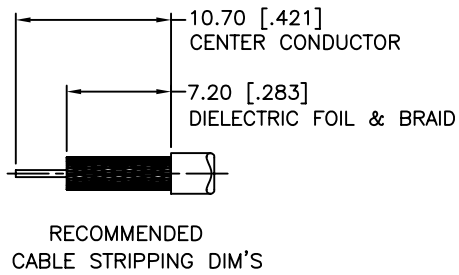


REV.	DATE	ECR NO.	DESCRIPTION
NC	06/03/10	XXXXXX	INITIAL RELEASE
A	06/28/10	2066	THE DIMENSION OF 6.15[.242] CHANG TO 5.46±0.13[.215±.005]



NOTE:

1. FREQUENCY RANGE: DC - 2.5 GHz
  2. VSWR: 1.15 MAX.
  3. CONNECTOR IS IP-68 COMPLIANT.
  4. THERE SHALL BE NO EVIDENCE OF AIR BUBBLES WHEN A 17 P.S.I. FORCE IS APPLIED TO MATING END WHILE WHOLE CONNECTOR IS IMMERSED IN WATER.
  4. CRIMPED FERRULE  
HEX CRIMP SIZE .151"
  5. CRIMPED CONTACT PIN  
SQ. CRIMP SIZE 0.7 mm  
OR CONTACT PIN TO SOLDER
- ▷ SHOWS CABLE ENTRY DIMENSIONS.

13	NUT-HEX	BRASS	NEXCOTE	1
12	BODY-REAR	BRASS	NEXCOTE	1
11	INSULATOR DISC	PTFE	NATURAL	1
10	FERRULE	COPPER	NEXCOTE	1
9	CONTACT PIN	BRASS	GOLD	1
8	GASKET	SILICONE	BLACK	1
7	GASKET	SILICONE	RED	1
6	LOCK WASHER	PHOSPHOR BRONZE	NEXCOTE	1
5	NUT-HEX	BRASS	NEXCOTE	1
4	INSULATOR	PTFE	NATURAL	1
3	CONTACT PIN	BERYLLIUM COPPER	GOLD	1
2	BUSHING BODY	BRASS	NEXCOTE	1
1	BODY	BRASS	NEXCOTE	1
	DESCRIPTION	MATERIAL	FINISH	QTY

UNLESS OTHERWISE SPECIFIED DIMENSIONS ARE IN MILLIMETERS. DIMENSIONS IN [ ] ARE IN INCHES AND FOR CUSTOMER REFERENCE ONLY.

UNLESS OTHERWISE SPECIFIED TOLERANCES FOR MILLIMETERS ARE:  
0.5 - 8mm ± 0.20mm  
8 - 30mm ± 0.40mm  
30 - 120mm ± 0.50mm

UNLESS OTHERWISE SPECIFIED TOLERANCES FOR INCHES ARE:  
.020 - .315 ± 0.007"  
.315 - 1.180 ± 0.015"  
1.180 - 4.724 ± 0.020"

DO NOT SCALE DRAWING

APPROVALS		DATE
DRAWN	M.ZHANG	06/28/10
CHECKED		
ISSUED		
SHEET	1 OF 1	
CAD FILE	C:/CONNEX/172165-11.DWG	

# Amphenol Connex

PART DESCRIPTION			
N BULKHEAD CRIMP JACK, IP-68 COMPLIANT (FOR RD-316 CABLE)			
PART NO.		172165-11	
DWG. NO.	172165-11.DWG	REV.	A
SIZE	A	SCALE	NA