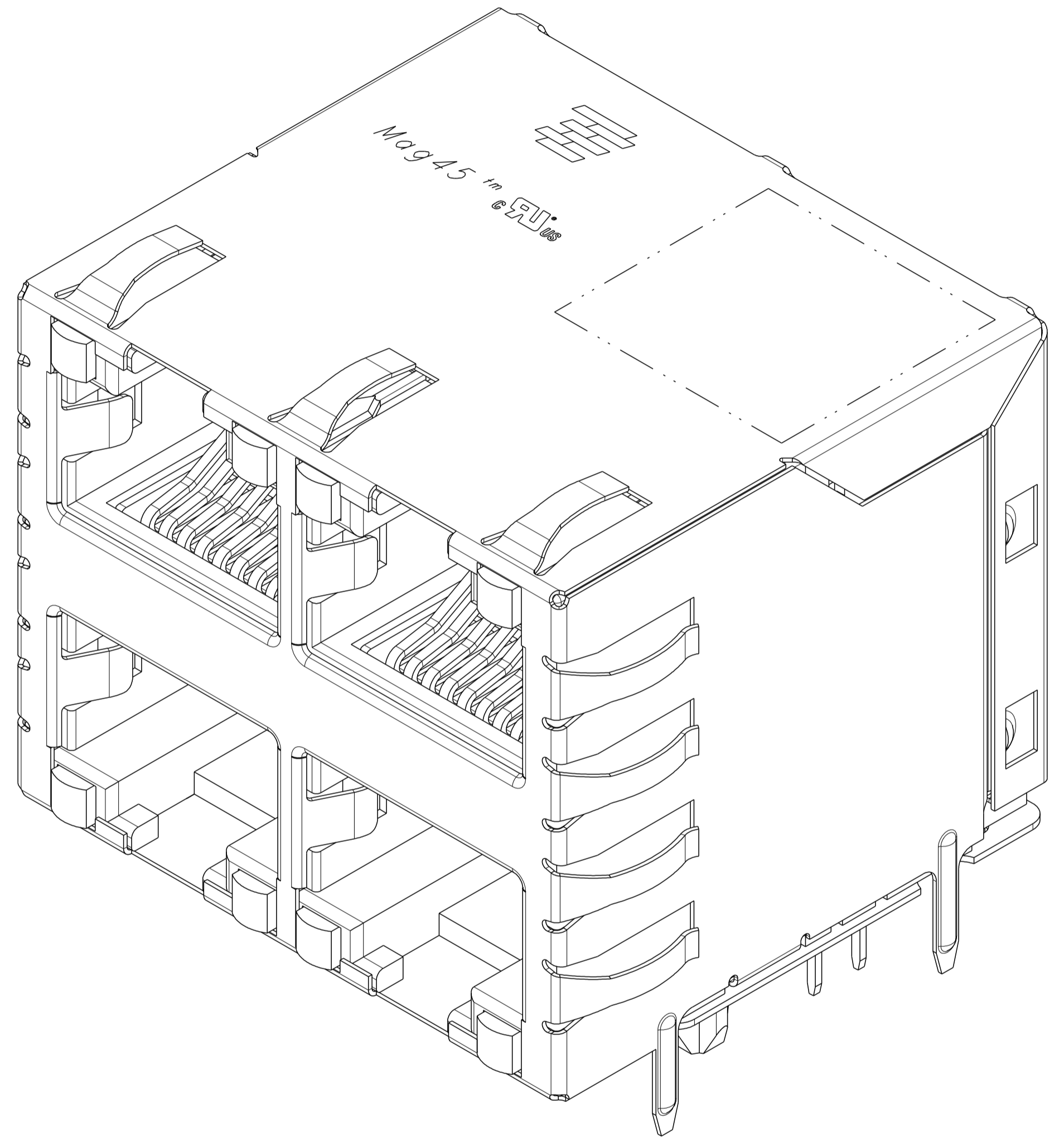


LOC	DIST	REVISIONS			
P	LTR	DESCRIPTION	DATE	DWN	APVD
AA	00				
A		NEW RELEASE	08FEB2007	KY	TX
B		ECO-09-008668	12MAY2009	RQ	KZ
C		ECO-10-021276	19OCT2010	GZ	KZ

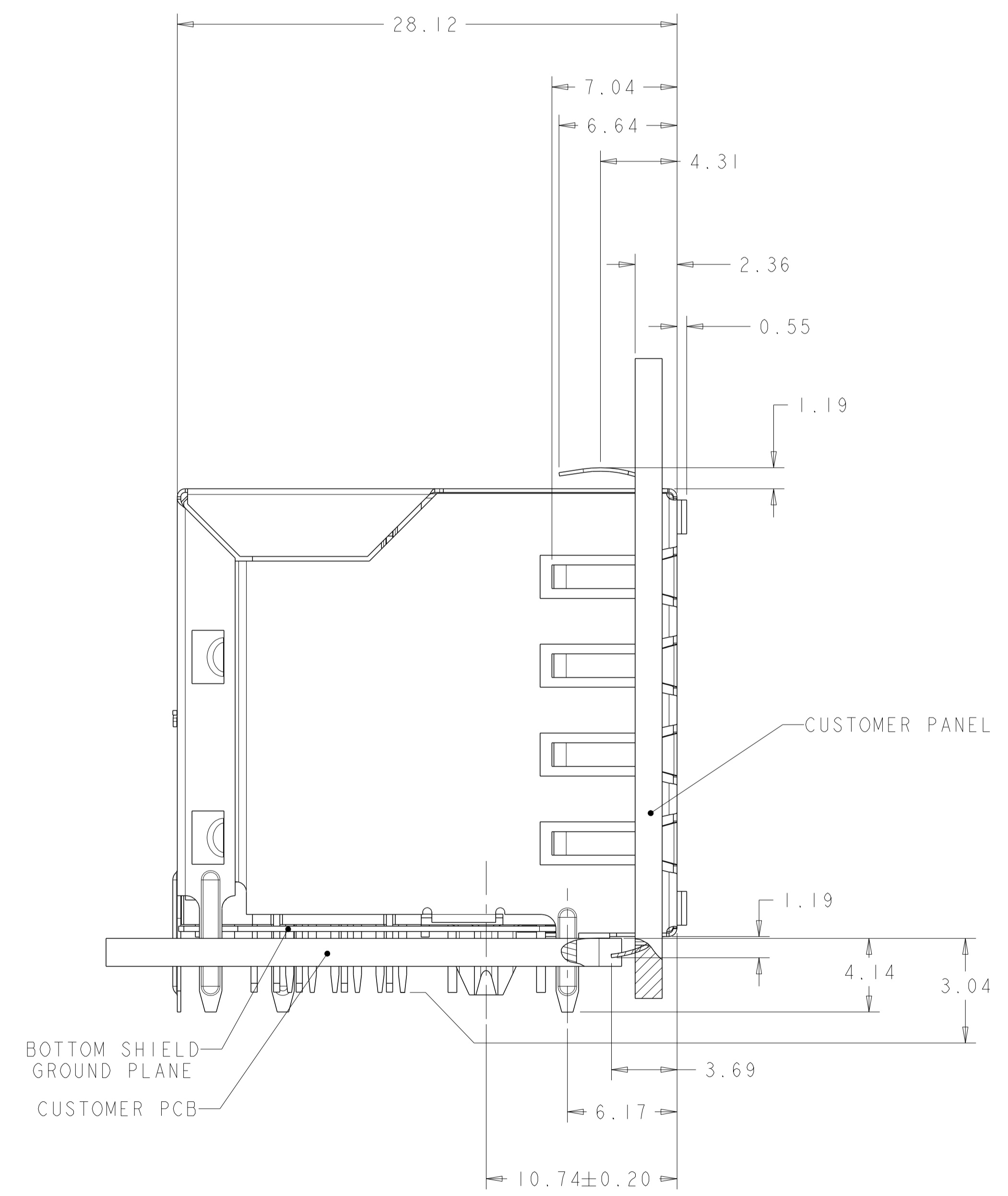
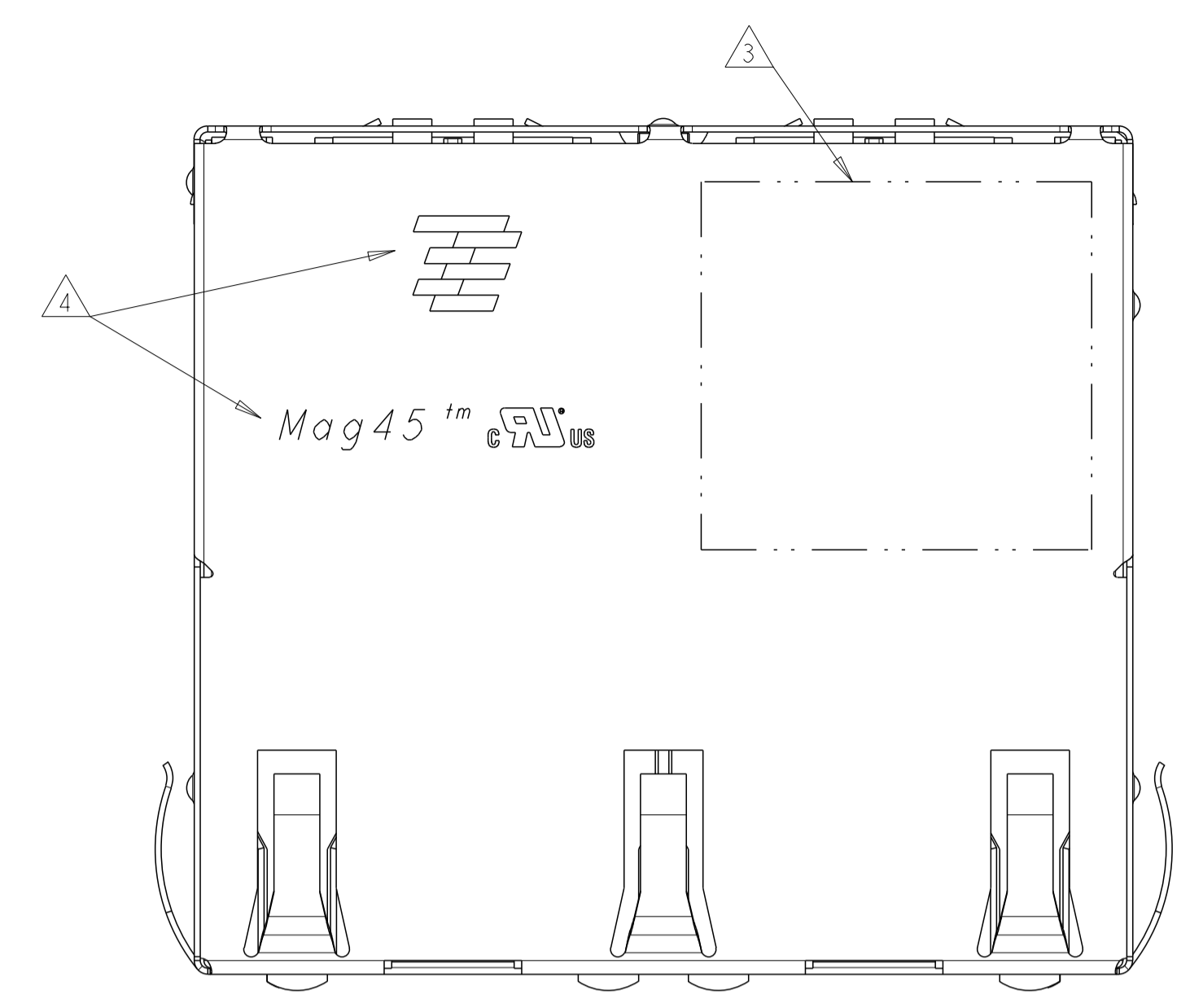


1. MATERIALS:
 PLASTIC HOUSING: BLACK, THERMOPLASTIC FLAMMABILITY RATING UL 94V-0
 SHIELD: BRASS, PREPLATED WITH 0.76um MIN SEMI-BRIGHT NICKEL,
 POST DIPPED WITH 2.54um MIN SAC SOLDER ON SOLDER TAILS,
 CONTACTS: PHOSPHOR BRONZE, 1.27um MIN OVERALL NICKEL
 UNDERPLATE WITH SELECT 1.27um MIN GOLD AT MATING INTERFACE
 AND 2.54um MIN MATTE TIN ON SOLDER TAILS.
 LED: DIFFUSED EPOXY LENS, CARBON STEEL LEAD FRAME TAILS OF LED
 ARE PREPLATED WITH 2.03um MIN SILVER OVER 1.02um MIN NICKEL
 UNDERPLATE OVER 1.02um MIN COPPER UNDERPLATE. POST-PLATED WITH
 2.54um MIN MATTE TIN AND/OR SAC SOLDER DIP OR PURE TIN SOLDER DIP
 INTERNAL MAGNETICS PC BOARDS: HIGH TEMP PCB, TG>170°C.
2. MAGNETICS
 APPLICATION: 10/100 BASE-T
 IMPEDANCE: 100 OHMS
 TURNS RATIO (CHIP:CABLE): TX = 1:1, RX = 1:1
 OPEN CIRCUIT INDUCTANCE (OCL): 350uH MIN @100kHz, 0.1VRMS,
 8mADC BIAS FROM 0°C TO 70°C, TX AND RX
 PERFORMANCE @ 25°C:
 INSERTION LOSS (IL): 1.1dB MAX FROM 0.5MHz TO 100MHz
 RETURN LOSS (RL): 18dB MIN FROM 0.5MHz TO 30MHz
 18-20LOG(f/30)dB MIN FROM 30.1MHz TO 60MHz
 12dB MIN FROM 60.1MHz TO 80MHz
 CROSSTALK ATTENUATION: 35dB MIN FROM 0.5MHz TO 40MHz
 33-20LOG(f/50)dB MIN FROM 40.1MHz TO 100MHz
 COMMON MODE REJECTION RATIO (CMRR): 30dB MIN FROM 0.5MHz TO 100MHz
 ISOLATION VOLTAGE: COMPLIES WITH IEEE802.3 2002, PARA 23.5.1.1, ITEM b.
3. PART NUMBER, DATE CODE AND COUNTRY OF ORIGIN LOCATED IN APPROXIMATE
 AREA SHOWN
4. AGENCY APPROVAL LOGO, TYCO ELECTRONICS LOGO AND PRODUCT LOGO TO BE LOCATED
 IN APPROXIMATE AREA SHOWN
5. OPERATING TEMP: FROM 0°C TO +70°C.
6. RJ45 CAVITY CONFORMS TO FCC RULES AND REGULATION PART 68 SUBPART F.
7. DATUM AND BASIC DIMENSION ESTABLISHED BY CUSTOMER.
8. BASIC DIMENSION ESTABLISHED BY CUSTOMER, BUT MAY NOT BE
 GREATER THAN 5.08mm.
9. LEDS ARE DRIVEN WITH CONSTANT CURRENT AT APPROX 20mA
 LED COLOR: DOMINANT WAVELENGTH (λD): GREEN 568 nm TYP. @ IF=20mA
 FORWARD VOLTAGE (VF): GREEN 2.2V TYP. @ IF=20mA
 DOMINANT WAVELENGTH (λD): YELLOW 588 nm TYP. @ IF=20mA
 FORWARD VOLTAGE (VF): YELLOW 2.1V TYP. @ IF=20mA
10. THESE PARTS ARE RECOMMENDED FOR WAVE SOLDERING PROCESS, PEAK SOLDERING
 TEMPERATURE IS 260 °C MAX, 10 SECONDS MAX.

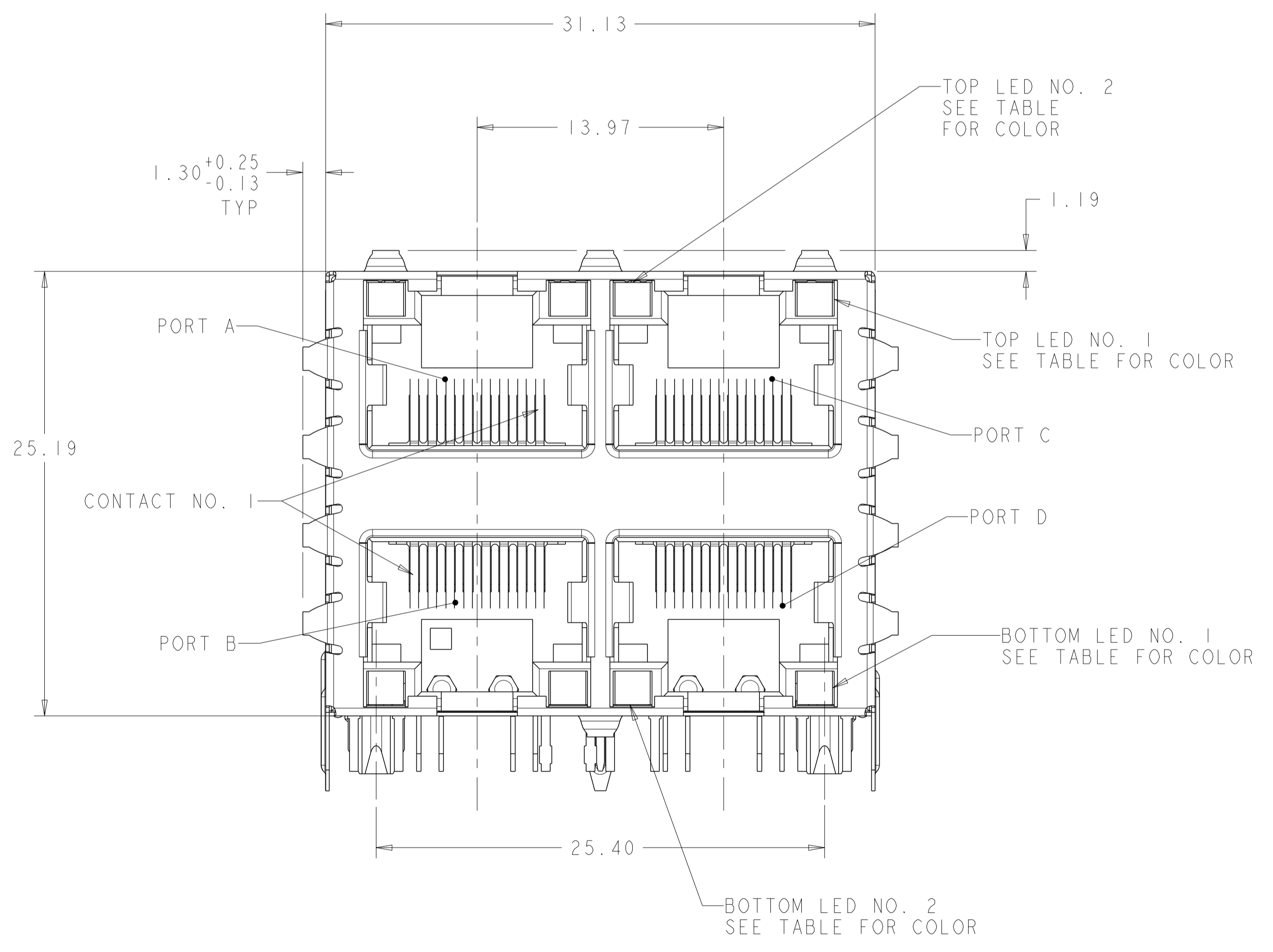
GRN/YEL	GRN/YEL	GRN/YEL	GRN/YEL	1840135-4
GREEN	YELLOW	GREEN	YELLOW	1840135-3
YELLOW	GREEN	GREEN	YELLOW	1840135-2
GREEN	GREEN	GREEN	GREEN	1840135-1
BOTTOM LED NO. 2	BOTTOM LED NO. 1	TOP LED NO. 2	TOP LED NO. 1	PART NUMBER

DIMENSIONS:		TOLERANCES UNLESS OTHERWISE SPECIFIED:		DWN: KEKE YOUTH 08FEB2007		Tyco Electronics Changping, DG, China	
mm		0 PLC ±0.25		CHK: DENNIS CHEN 08FEB2007		NAME: 2X2 MAG45(TM), 10/100 S866P9 CIRCUIT	
		1 PLC ±0.25		APVD: TEDDY XIONG 08FEB2007		WAVE PANEL, GROUND SHIELD, W/LEDS	
		2 PLC ±0.25		PRODUCT SPEC		CONTACT PIN 2	
		3 PLC ±		APPLICATION SPEC		SIZE: CAGE CODE: DRAWING NO:	
		4 PLC ±		-		A 00779 1840135	
		ANGLES ±		WEIGHT: -		RESTRICTED TO	
MATERIAL: SEE NOTE 1		FINISH: SEE NOTE 1		CUSTOMER DRAWING		SCALE: 4:1 SHEET 1 OF 4 REV C	

LOC	DIST	REVISIONS			
P	LTR	DESCRIPTION	DATE	DWN	APVD
-	-	SEE SHEET 1	-	-	-

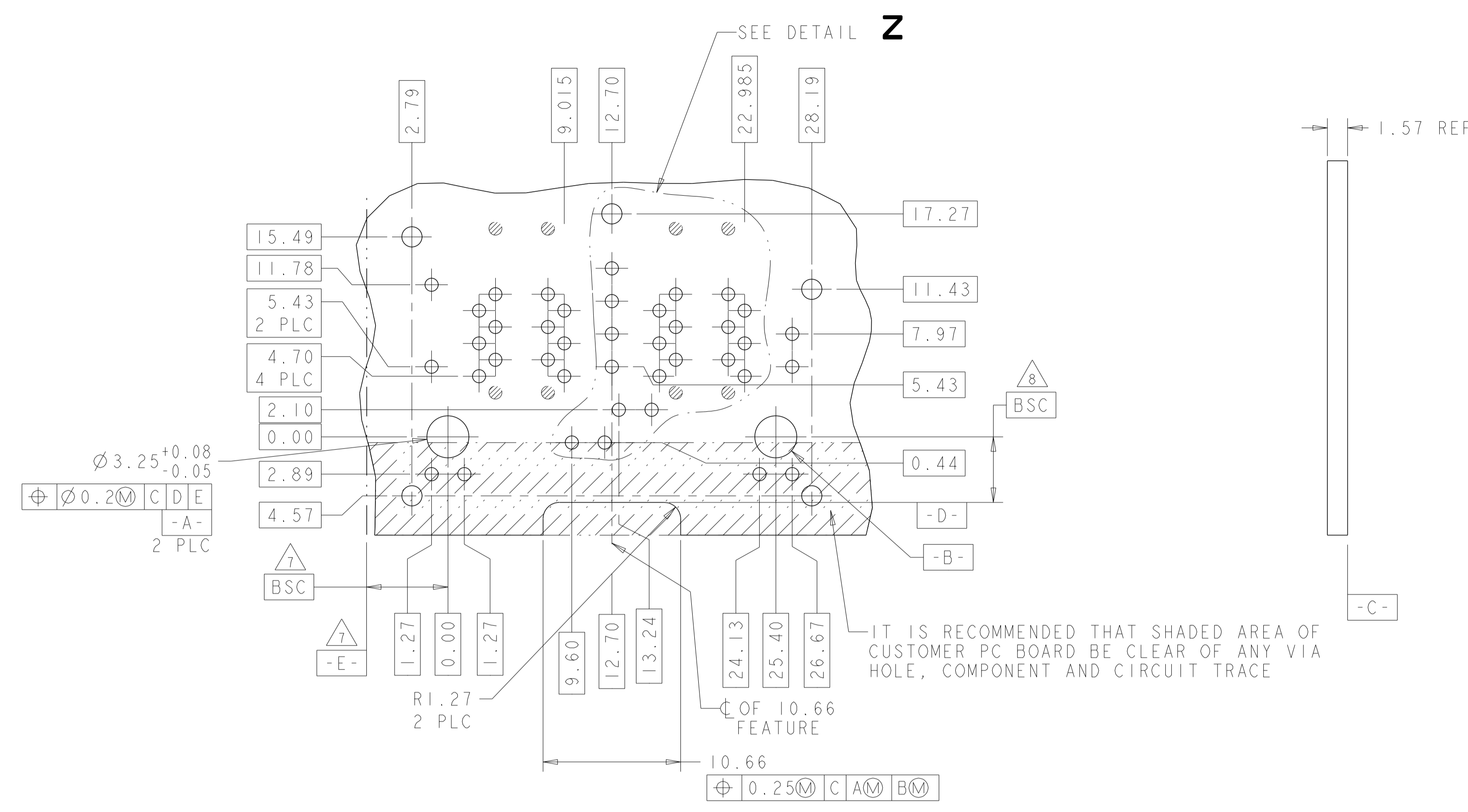


SIDE VIEW WITH CUSTOMER PANEL AND PCB FOR LOCATION

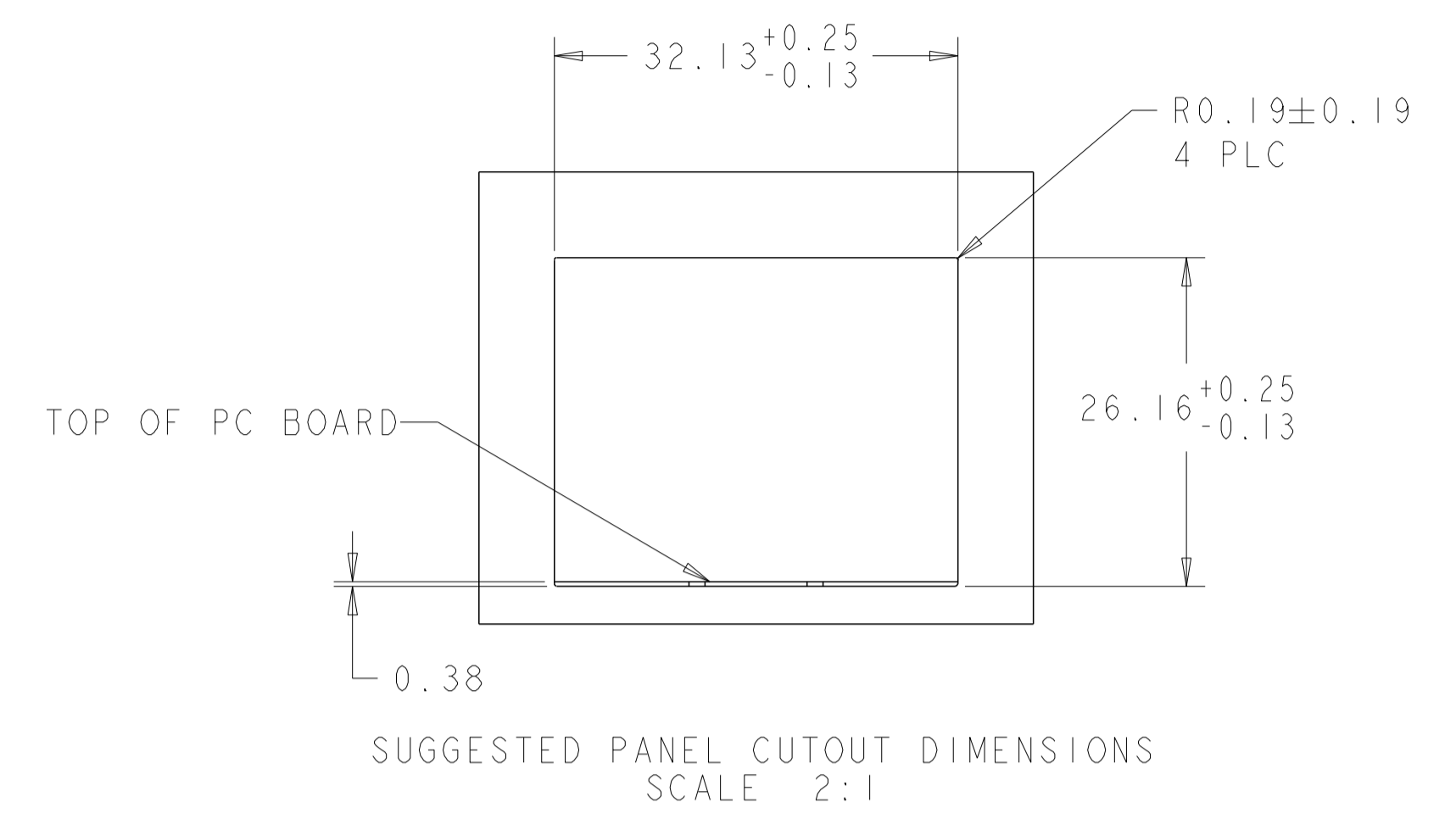


<small>THIS DRAWING IS UNPUBLISHED. RELEASED FOR PUBLICATION. ALL RIGHTS RESERVED. © 2010 TYCO ELECTRONICS CORPORATION. ALL RIGHTS RESERVED.</small>		DWN: KEKE YUETH 08FEB2007 CHG: DENNIS CHEN 08FEB2007 APVD: TEDDY XIONG 08FEB2007	Tyco Electronics Changping, DG, China
DIMENSIONS: mm 	TOLERANCES UNLESS OTHERWISE SPECIFIED: 0 PLC ±0.25 1 PLC ±0.25 2 PLC ±0.25 3 PLC ± 4 PLC ± ANGLES ±	NAME: 2X2 MAG45(TM), 10/100 S866P9 CIRCUIT WAVE PANEL, GROUND SHIELD, W/LEDS CONTACT PIN 2 PRODUCT SPEC: 108-2100 APPLICATION SPEC:	SIZE: A CAGE CODE: 00779 DRAWING NO: 1840135 RESTRICTED TO:
MATERIAL: SEE NOTE 1	FINISH: SEE NOTE 1	WEIGHT: -	CUSTOMER DRAWING
SCALE: 4:1		SHEET 2 OF 4 REV C	

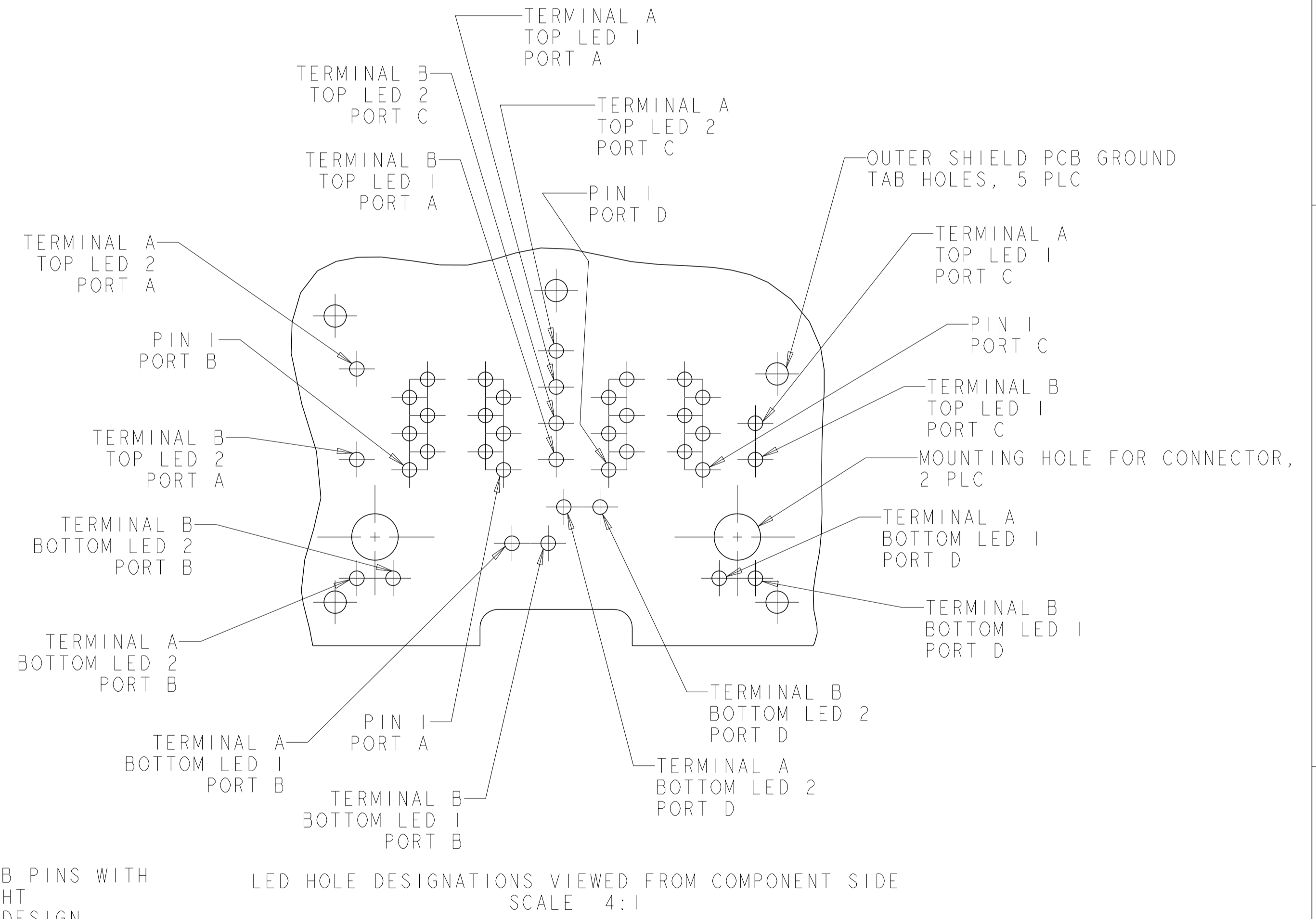
LOC	DIST	REV	DESCRIPTION	DATE	DWN	APVD
AA	00		SEE SHEET 1			



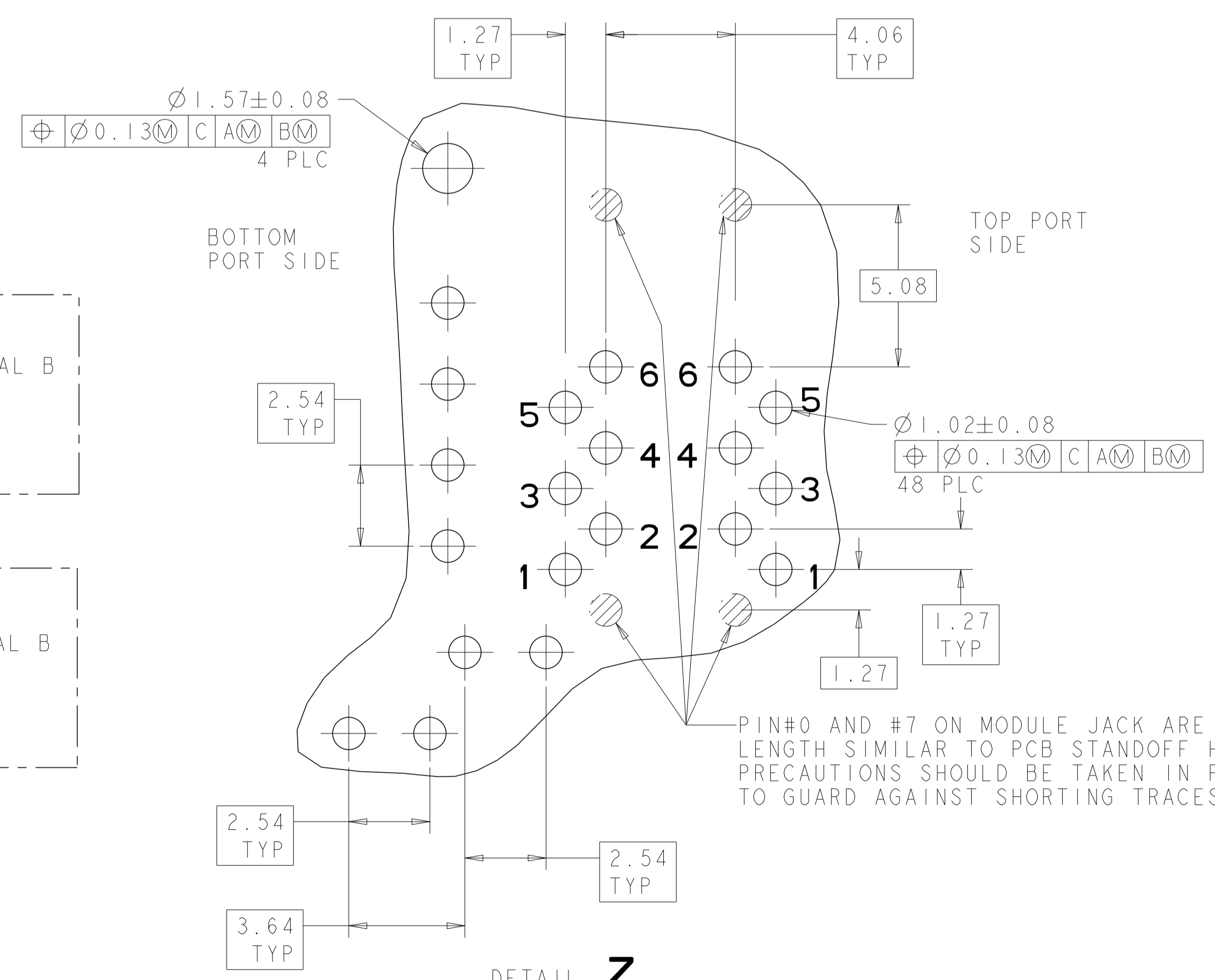
PC BOARD LAYOUT VIEWED FROM COMPONENT SIDE



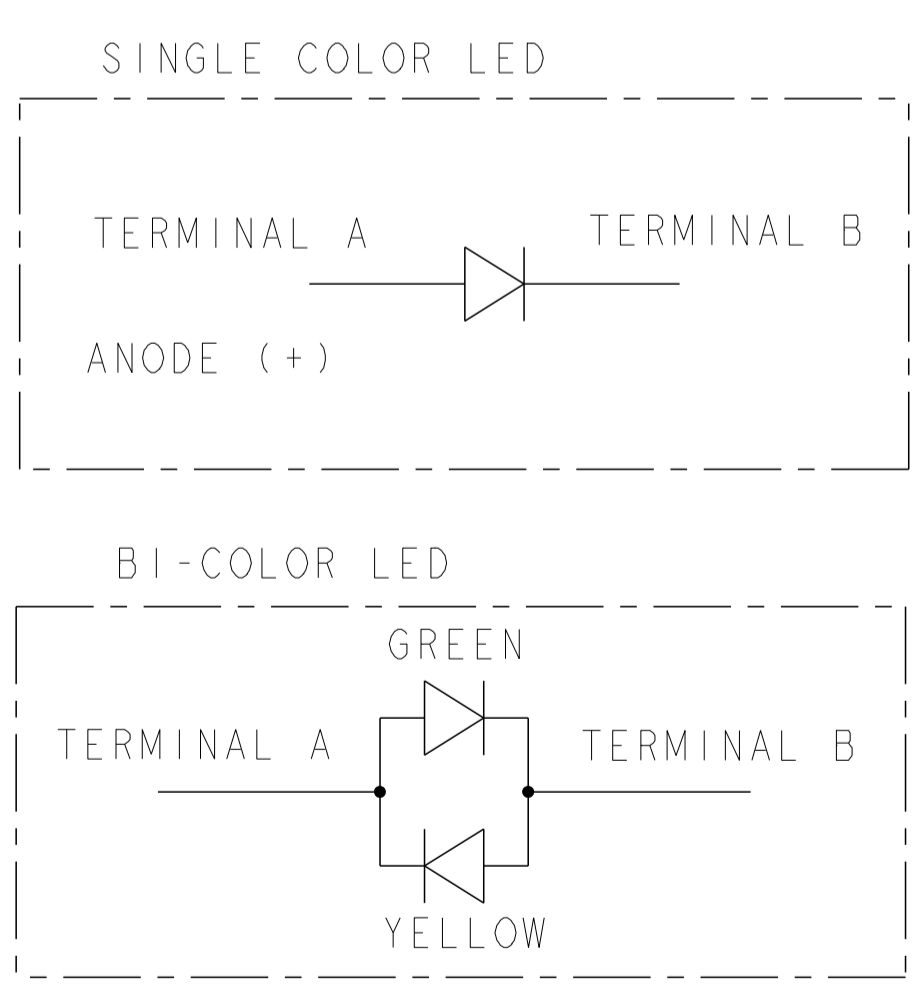
SUGGESTED PANEL CUTOUT DIMENSIONS SCALE 2:1



LED HOLE DESIGNATIONS VIEWED FROM COMPONENT SIDE SCALE 4:1



DETAIL Z SCALE 8:1

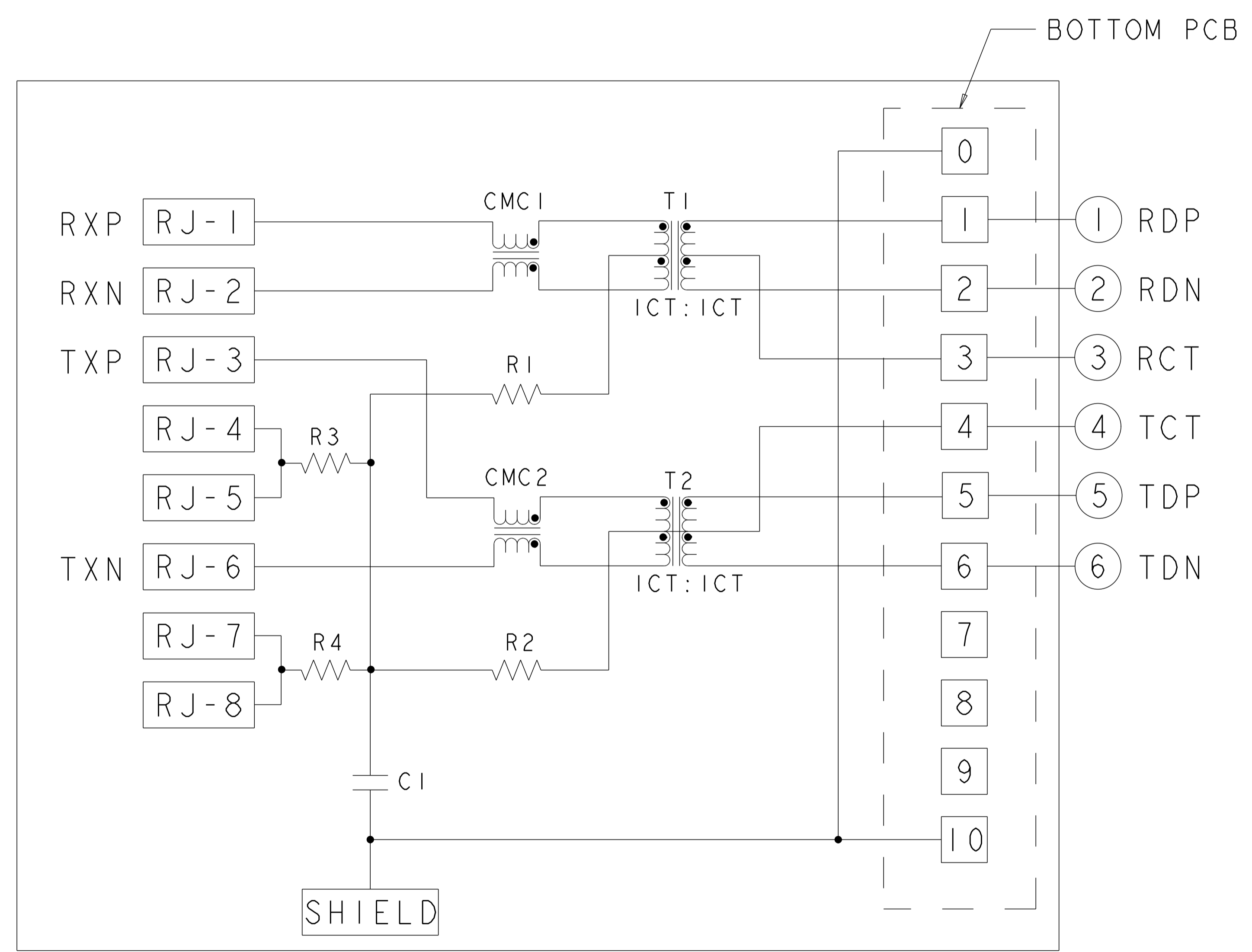


DIMENSIONS:		TOLERANCES UNLESS OTHERWISE SPECIFIED:		MATERIAL:		FINISH:		WEIGHT:		CUSTOMER DRAWING:	
mm		0 PLC	±0.25	SEE NOTE 1		SEE NOTE 1					
		1 PLC	±0.25								
		2 PLC	±0.25								
		3 PLC	±								
		4 PLC	±								
		ANGLES	±								

LOC	DIST	REVISIONS			
P	LTR	DESCRIPTION	DATE	DWN	APVD
-	-	SEE SHEET 1	-	-	-

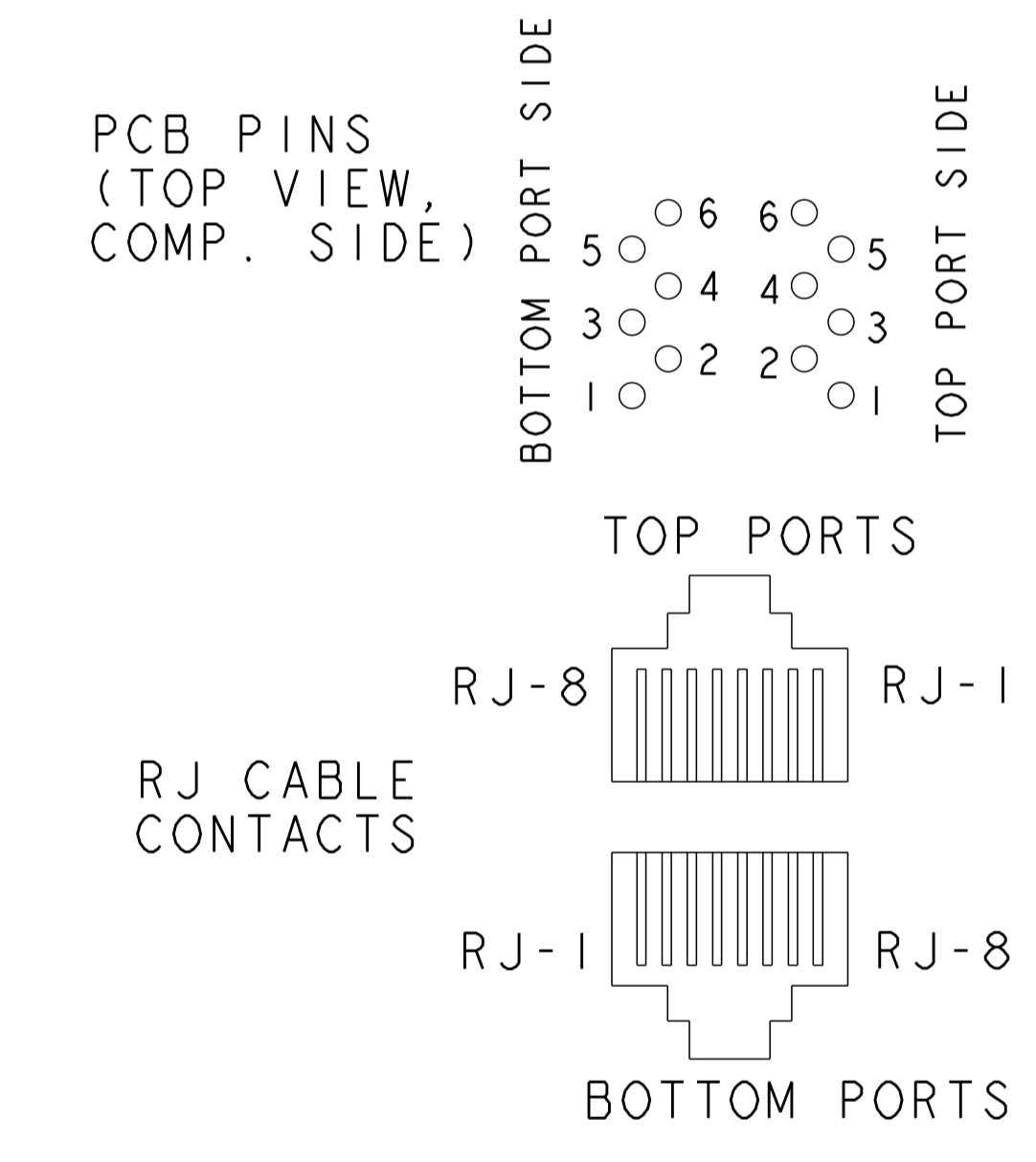
S866P9 10/100 BASE-T CIRCUIT Δ

TOP AND BOTTOM PORTS



PIN DESIGNATION

(REPEAT FOR EACH VERTICAL PAIR OF PORTS)



- NOTES:
1. R1-R4 = 75 Ohms, 1/16W
 2. C1 = 1000 pF, 2kV

<small>THIS DRAWING IS UNPUBLISHED. IT IS CONSIDERED TECHNICAL INFORMATION FOR TYCO ELECTRONICS CORPORATION AND IS NOT TO BE REPRODUCED OR TRANSMITTED IN ANY FORM OR BY ANY MEANS, ELECTRONIC OR MECHANICAL, INCLUDING PHOTOCOPYING, RECORDING, OR BY ANY INFORMATION STORAGE AND RETRIEVAL SYSTEM.</small>		DWN: KEKE YOUTH 08FEB2007 CHG: DENNIS CHEN 08FEB2007 APVD: TEDDY XIONG 08FEB2007	Tyco Electronics Changping, DG, China
DIMENSIONS: mm	TOLERANCES UNLESS OTHERWISE SPECIFIED: 0 PLC ± 0.25 1 PLC ± 0.25 2 PLC ± 0.25 3 PLC ± 0.25 4 PLC \pm ANGLES \pm	NAME: 2X2 MAG45(TM), 10/100 S866P9 CIRCUIT PRODUCT SPEC: WAVE PANEL, GROUND SHIELD, W/LEDS APPLICATION SPEC: CONTACT PIN 2	SIZE: A CAGE CODE: 00779 DRAWING NO: 1840135
MATERIAL: SEE NOTE 1	FINISH: SEE NOTE 1	WEIGHT: - CUSTOMER DRAWING	RESTRICTED TO: - SCALE: 4:1 SHEET 4 OF 4 REV C