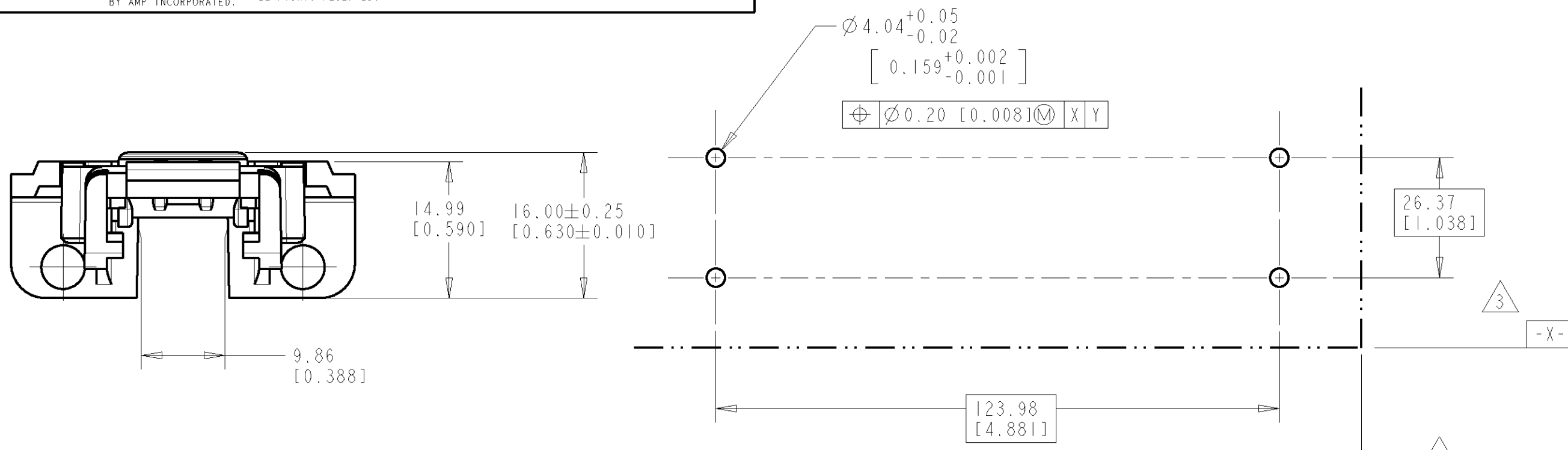


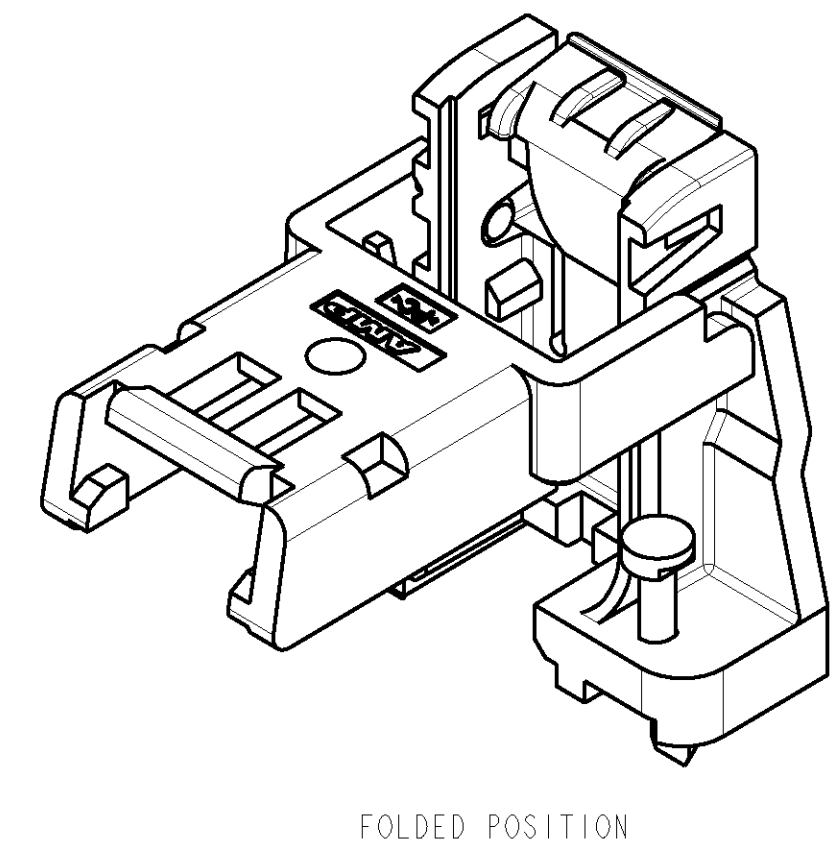
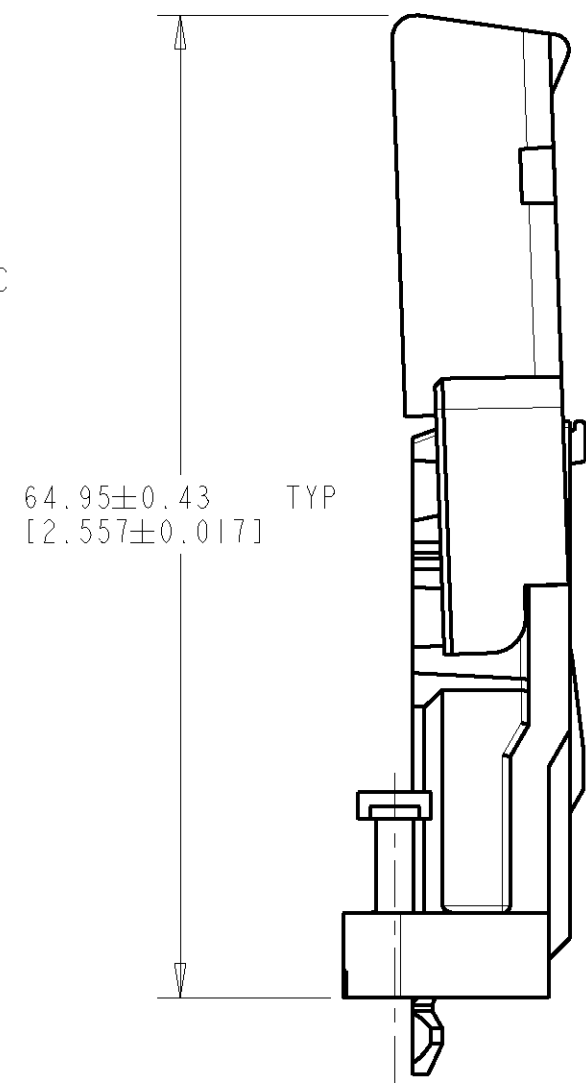
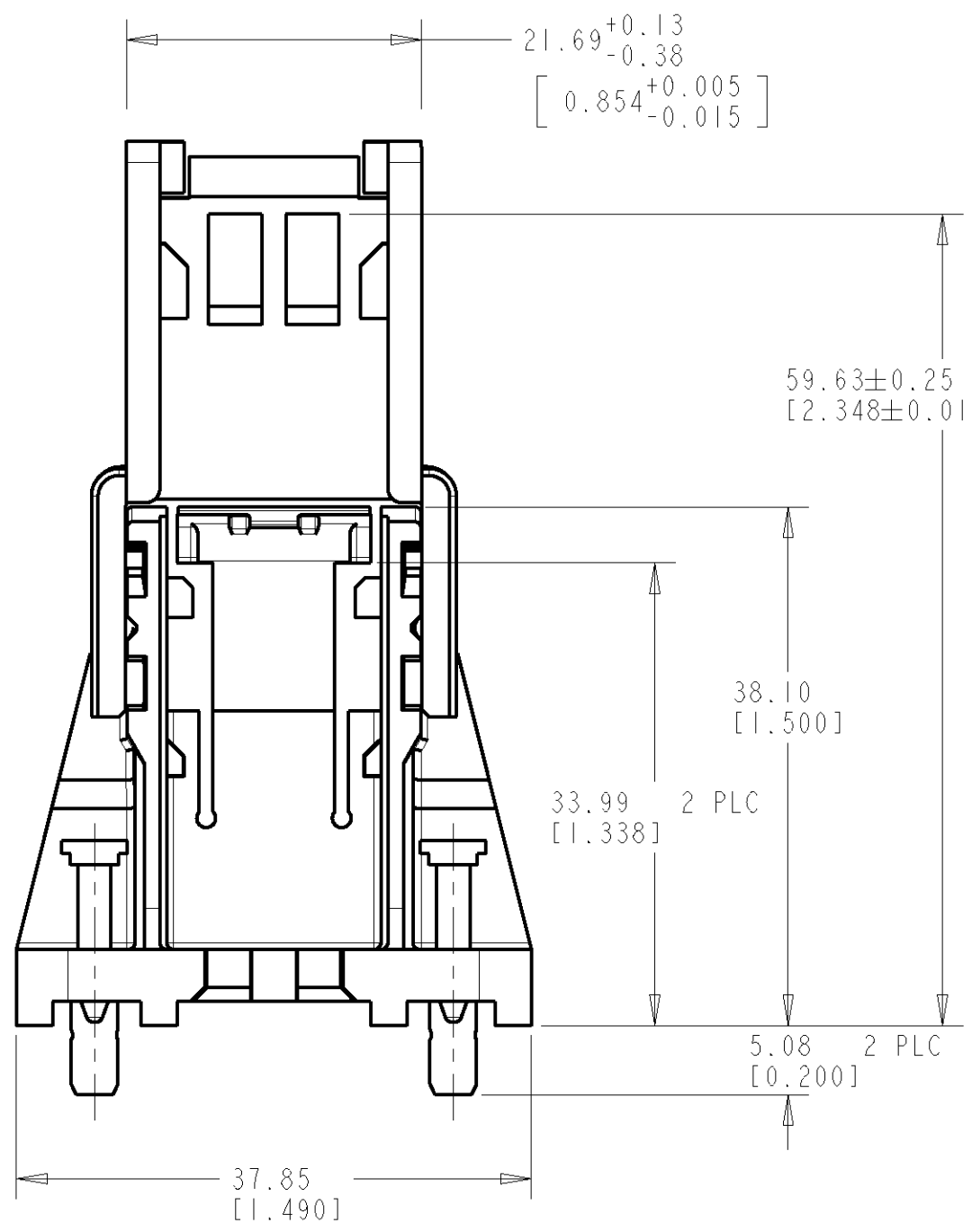
THIS DRAWING IS UNPUBLISHED. RELEASED FOR PUBLICATION .19
 © COPYRIGHT 19 BY AMP INCORPORATED. ALL RIGHTS RESERVED.

LOC	DIST	REVISIONS					
		P	LTR	DESCRIPTION	DATE	DWN	APVD
AD	14	0		RELEASED	15SEP98	RB	EL
		A		REVISED PER 0651-0241-98	29OCT98	RB	EL

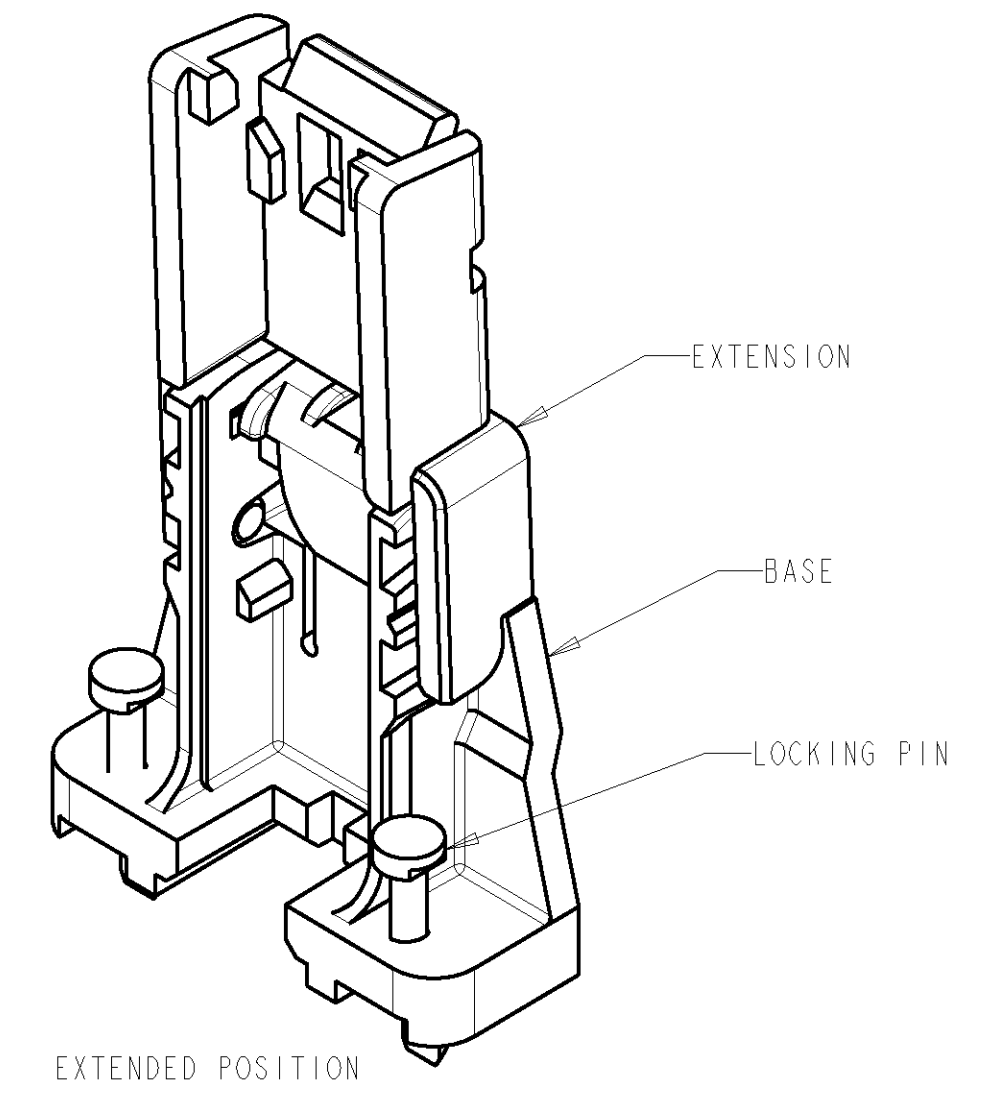


- 1 ALL MOLDED COMPONENTS- UL 94-V0 RATED POLYCARBONATE, BLACK.
- 2 RECOMMENDED PC BOARD THICKNESS OF 1.57±0.15 [0.062±0.006].
- 3 DATUM AND BASIC DIMENSIONS ESTABLISHED BY CUSTOMER.
- 4 BULK PACKAGED IN PARTITIONED BOXES IN THE EXTENDED POSITION.
- 5 EACH PROCESSOR INSTALLATION REQ'S TWO RETENTION MODULES,

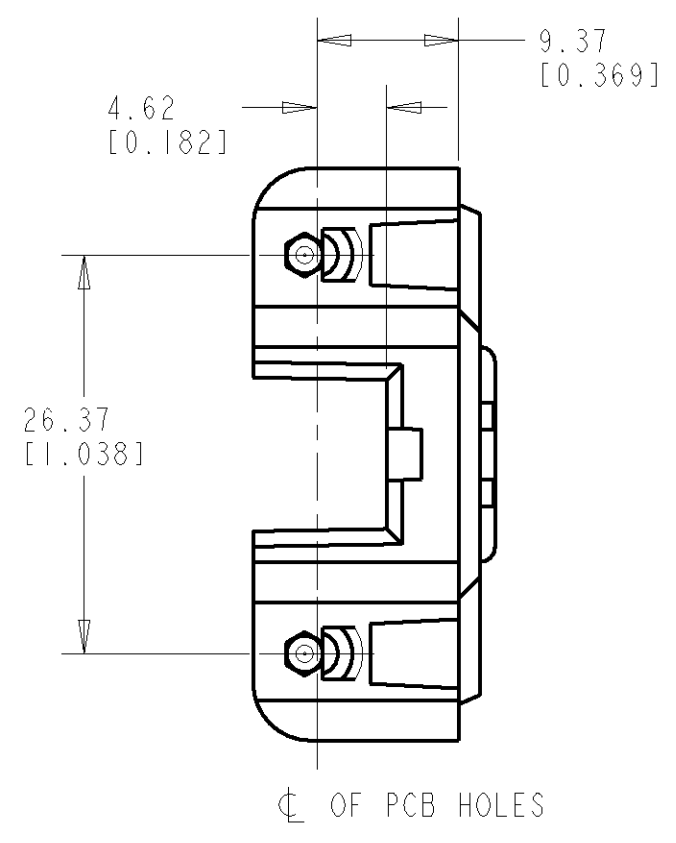
RECOMMENDED PC BOARD LAYOUT 2 SCALE 1:1



FOLDED POSITION



EXTENDED POSITION



2 MODULES WITH LOCKING PINS	145417-2
1 MODULE WITH LOCKING PINS	145417-1
DESCRIPTION	5 PART NUMBER

THIS DRAWING IS A CONTROLLED DOCUMENT FOR AMP INCORPORATED. IT IS SUBJECT TO CHANGE AND THE CONTROLLING ENGINEERING ORGANIZATION SHOULD BE CONTACTED FOR THE LATEST REVISION.		DWN R BROWN 15SEP98	AMP Incorporated Harrisburg, PA 17105-3608
DIMENSIONS: mm [INCHES]		CHK E LOTTER 15SEP98	
TOLERANCES UNLESS OTHERWISE SPECIFIED:		APVD V RUMINSKI 15SEP98	
0 PLC ± 1 PLC ± 2 PLC ±0.13 [0.005] 3 PLC ± 4 PLC ± ANGLES ± FINISH -		NAME UNIVERSAL RETENTION MODULE ASSEMBLY KIT, PIN FASTENER SHORT LATCH PRODUCT SPEC 108-1826 APPLICATION SPEC - WEIGHT - CUSTOMER DRAWING	
MATERIAL		SIZE A2	CAGE CODE 00779 DRAWING NO. 145417 RESTRICTED TO - SCALE 2:1 SHEET 1 OF 1 REV A