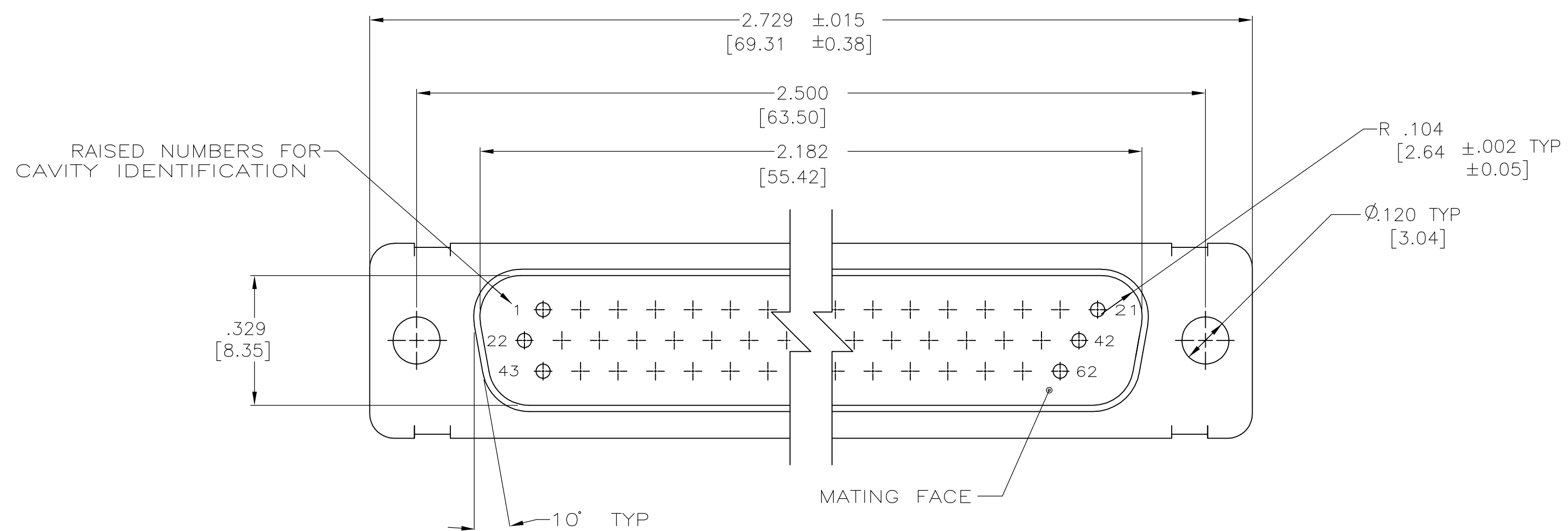
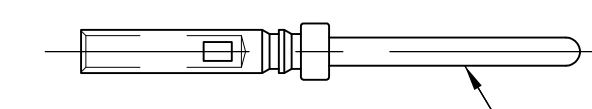


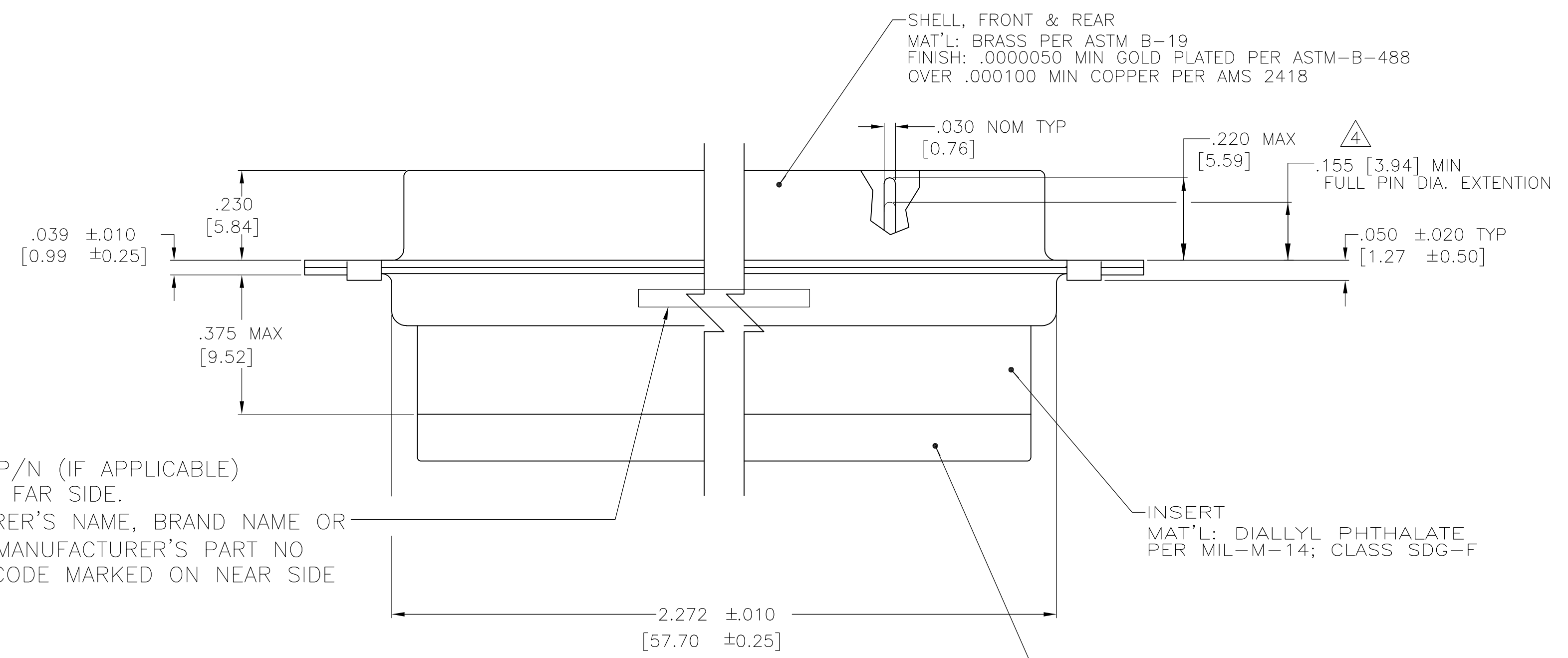
LOC		DIST		REVISIONS			
DF	DO	REV	DATE	DESCRIPTION	DATE	BY	APP'D
M		1	22AUG13	REVISED PER ECO-13-011791		MGM	CT



- THIS PLUG WILL MATE WITH ANY SIZE 4, 62 POSN. RECEPTACLE IN AMPLIMITE SERIES.
- OVERALL DIMENSIONS DO NOT INCLUDE RAISED CAVITY IDENTIFICATION.
- BE-CU RETENTION CLIPS ARE INCLUDED AND INSTALLED WITH TINES POINTING TOWARDS MATING FACE.
- CONNECTOR SUPPLIED WITHOUT CONTACTS. SHOWN FOR ILLUSTRATION ONLY.
- MARKING ON FAR SIDE REFERS TO WIDE SIDE OF KEYSTONE. NEAR SIDE REFERS TO NARROW SIDE OF KEYSTONE.
- 100% INSPECTION REQUIRED PER BOEING 1B01:
 - VISUAL
 - DWV
 - IR
- CUSTOMER REQUIRES SINGLE LOT DATE CODE.
- SPECIAL REQUIREMENTS:
 - TEST TWO CONNECTORS PER LOT FOR COMPLIANCE TO GROMMET PEEL STRENGTH REQUIREMENTS.
 - TEST ALL CIRCUIT CAVITIES FOR MISALIGNMENT OR EXCESSIVE ADHESIVE.



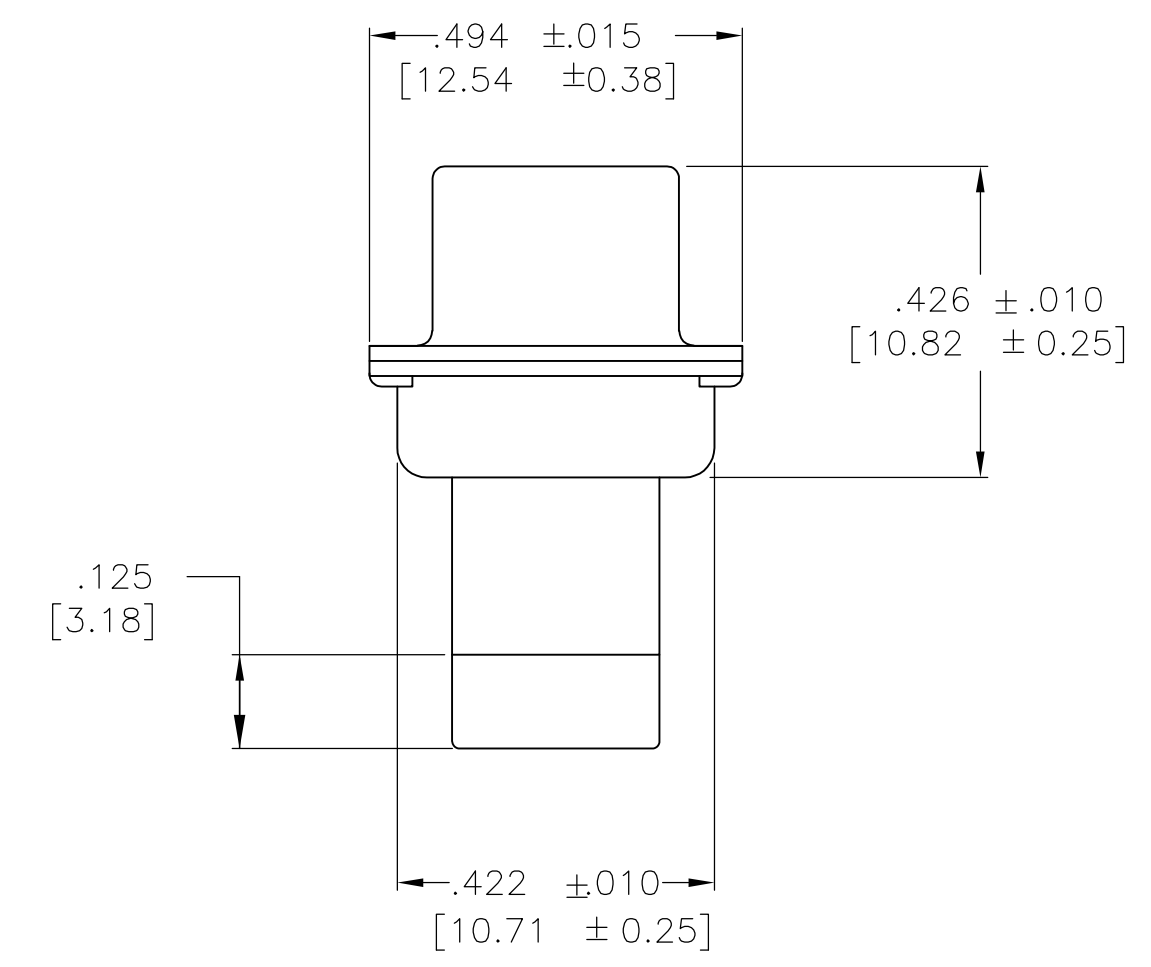
PIN CONTACT:
MATERIAL: BRASS
PLATING: GOLD PER MIL-Q-45204
OVER COPPER PER MIL-C-14550.



CUSTOMER P/N (IF APPLICABLE) MARKED ON FAR SIDE. MANUFACTURER'S NAME, BRAND NAME OR LOGO AND MANUFACTURER'S PART NO AND DATE CODE MARKED ON NEAR SIDE

INSERT
MAT'L: DIALLYL PHTHALATE
PER MIL-M-14; CLASS SDG-F

GROMMET
MAT'L: SILICONE RUBBER
OR POLYPHENYLENE SULFIDE (PPS)
PER MIL-M-24519, TYPE GST-40F.



PIN CONTACTS INCLUDED IN KIT

REMARKS	CUSTOMER PART NO.	PART NO.
6	1B01-034PHW	1-211676-1
	B010648-0007	211676-7
		211676-4
7 8	2A065-016V-001	211676-2
6	1B01-034	211676-1

THIS DRAWING IS A CONTROLLED DOCUMENT.

DIMENSIONS: INCHES	TOLERANCES UNLESS OTHERWISE SPECIFIED:	DWN: C.C. THOMAS 4-4-90	CHK: F.KINSEY 4-4-90	AP'D: F.KINSEY 4-5-90	NAME: F.KINSEY
0 PLC ± -	1 PLC ± -	2 PLC ± -	3 PLC ± .005 [0.13]	4 PLC ± -	ANGLES ± 0°30'
MATERIAL: SEE CALLOUTS	FINISH: SEE CALLOUTS	WEIGHT: -	SIZE: A1	DWG NO: 00779	PART NO: 211676
CUSTOMER DRAWING		SCALE: 4:1	SHEET: 1 of 1	REV: M	

STE TE Connectivity

PLUG ASS'Y, AMPLIMITE, 62 POSN., SIZE 4, SERIES 90, NON-MAGNETIC WITH GROMMET