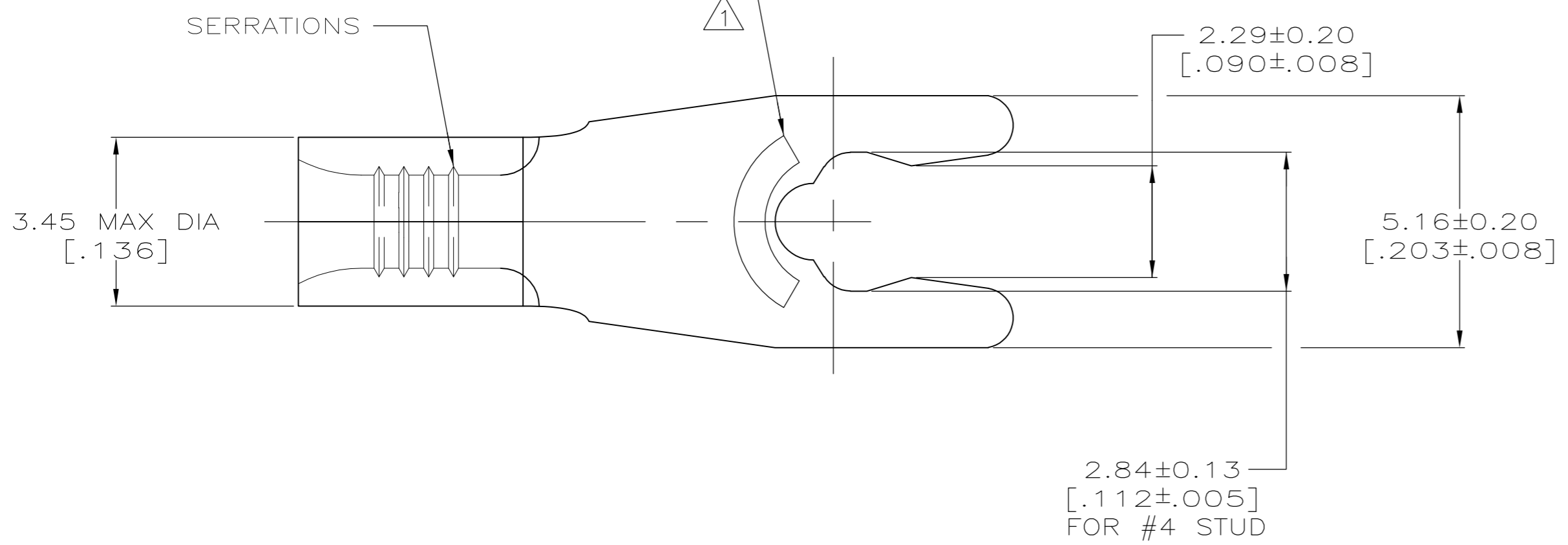


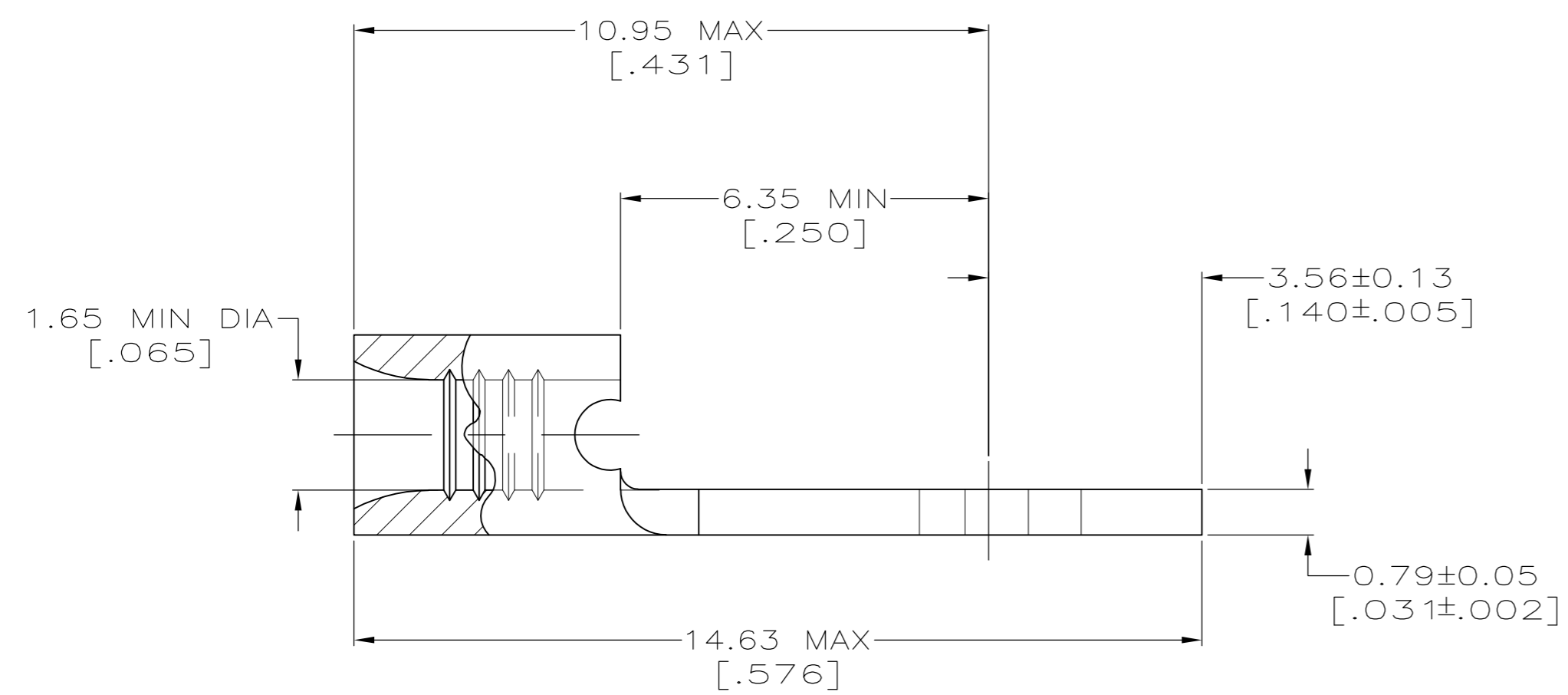
THIS DRAWING IS UNPUBLISHED. RELEASED FOR PUBLICATION
 © COPYRIGHT BY TYCO ELECTRONICS CORPORATION. ALL INTERNATIONAL RIGHTS RESERVED.

LOC	DIST	REVISIONS			
P	LTR	DESCRIPTION	DATE	DWN	APVD
G	14	B1	REDRAWN PER ECR 10-006147	23MAR10	JR TM



AMP WIRE RANGE	Listed FILE E13288	LR7189 Certified
22-16 AWG STRANDED	22-16 AWG STRANDED	NOT CERTIFIED

- ① STAMP 4S AMP 22-18* APPROX AS SHOWN
22-16 TERMINALS ARE STAMPED 22-18 IN
ACCORDANCE WITH MILITARY SPEC SAE-AS7928
COMMERCIAL WIRE RANGE IS 22-16
4S INDICATES STUD SIZE
- ② PHOS BRONZE PER ASTM B103, ANNEALED
- ③ TIN PLATE 0.00254 [.000100] MIN THK PER
ASTM B545



53150-2
PART NO.

CUSTOMER SERVICE SYSTEMS		MAX RECOMMENDED OPERATING TEMPERATURE: 170°C MAX	THIS DRAWING IS A CONTROLLED DOCUMENT.		DWN TA BRINKMAN 2-11-93	Tyco Electronics Corporation Harrisburg, PA 17105-3608			
FOR ADDITIONAL PRODUCT INFORMATION OR COPIES OF DRAWINGS AND TECHNICAL DOCUMENTS	PRODUCT INFORMATION CENTER 1-800-522-6752	VOLTAGE RATING: N/A	DIMENSIONS: mm [INCHES]	TOLERANCES UNLESS OTHERWISE SPECIFIED:	CHK DA PATTERSON 2-11-93	NAME JL MECKLEY			
FOR APPLICATION	TOOLING ASSISTANCE CENTER 1-800-722-1111	CIRCULAR MIL AREA: 0.26-1.65mm ² [509-3260] STRANDED		0 PLC ± - 1 PLC ± - 2 PLC ± - 3 PLC ± - 4 PLC ± - ANGLES ± -	APVD JL MECKLEY 2-11-93	PRODUCT SPEC APPLICATION SPEC			
TOOLING INFORMATION	1-800-722-1111		MATERIAL - ②	FINISH - ③	RESTRICTED TO	SIZE A2	CAGE CODE 00779	DRAWING NO C=53150	REVISION REV B1
FOR ORDER ENTRY	1-800-526-5142	THIS DRAWING IS A CONTROLLED DOCUMENT FOR AMP INCORPORATED. IT IS SUBJECT TO CHANGE AND THE CONTROLLING ENGINEERING ORGANIZATION SHOULD BE CONTACTED FOR THE LATEST REVISION.		CUSTOMER DRAWING	SCALE 10:1	SHEET 1 of 1			