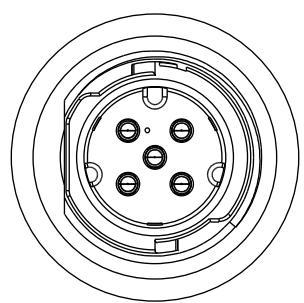
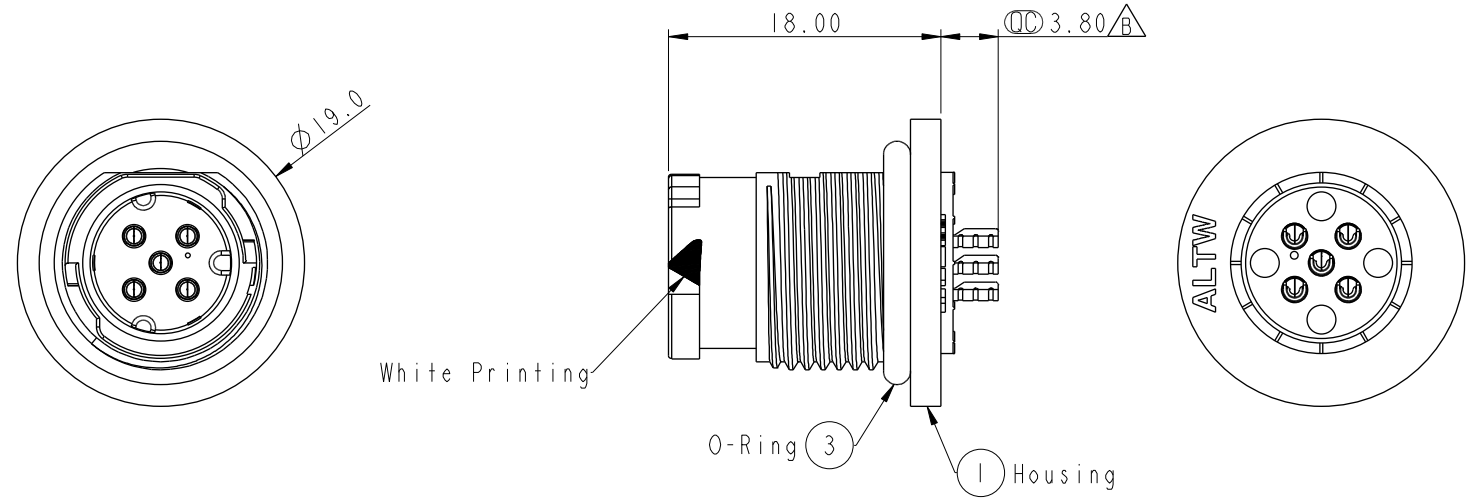
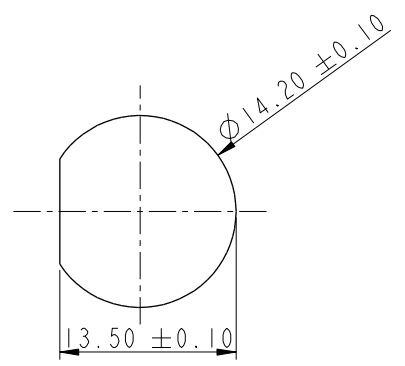


ALTW
CONFIDENTIAL
2019-03-15
R&D DEPT.

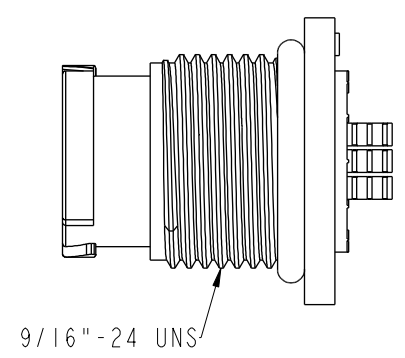
REV.	ECN NO.	DATE	SIGN	DESCRIPTION
D	LEN1870100	2018/07/23	Ouyang	Update specifications
E	E180448	2018/11/02	Ouyang	Change Key Point And Nut schematic
F	CI90403	2019/03/15	Vicky	Change Note



Pin Assignments
Front View



Recommended Panel Cut-out



9/16"-24 UNS

- Note:**
- * CC Important Dimension To Check.
 - * Waterproof Rate: IP68, Unmated.
In 1 meter water within 24 hours
 - * Housing: Thermoplastic, Black.
 - * Pin: Copper Alloy, Gold Plated.
 - * Nut: Thermoplastic, Black.
 - * Gasket: Rubber, Gray.
 - * Use Without Waterproof Cap
Panel Thickness Max: 4.0mm
 - * Use With Waterproof Cap
Panel Thickness Max: 3.0mm
 - * Nut are packed separately in PE bags.

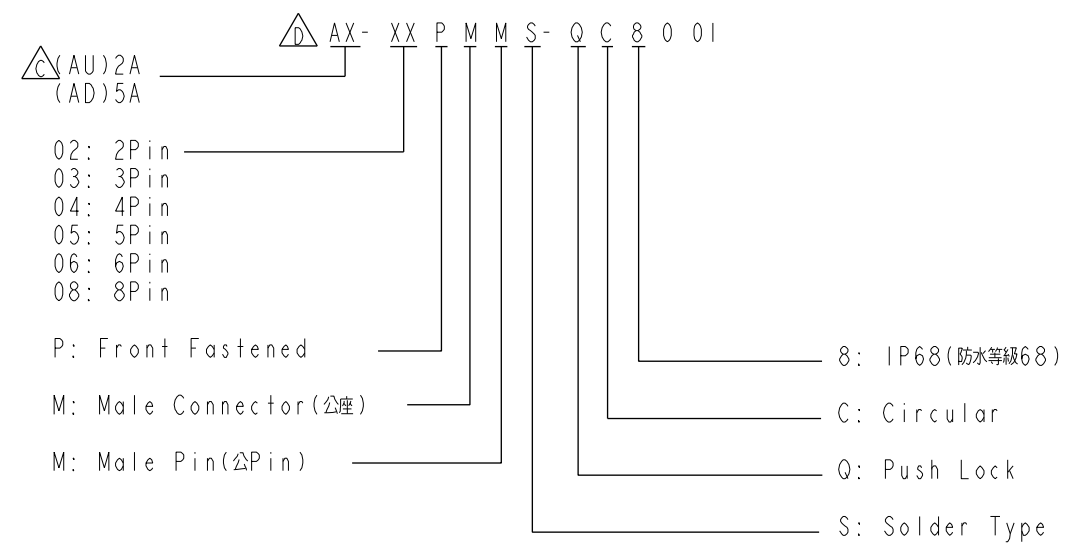
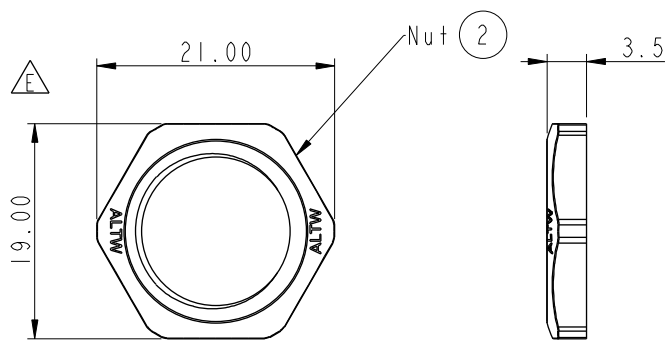
UNIT:mm		TITLE	X Lok A-Size Receptacle Front Fastened M Conn M Pin		
TOLERANCE	$\pm 0.5\text{mm}$	SCALE	1:1	SIZE	A4
		REV.	F	WC-REV.	.0
					CC : Inspection item
		SHEET	1	OF	2

Amphenol LTW
安費諾亮泰企業股份有限公司

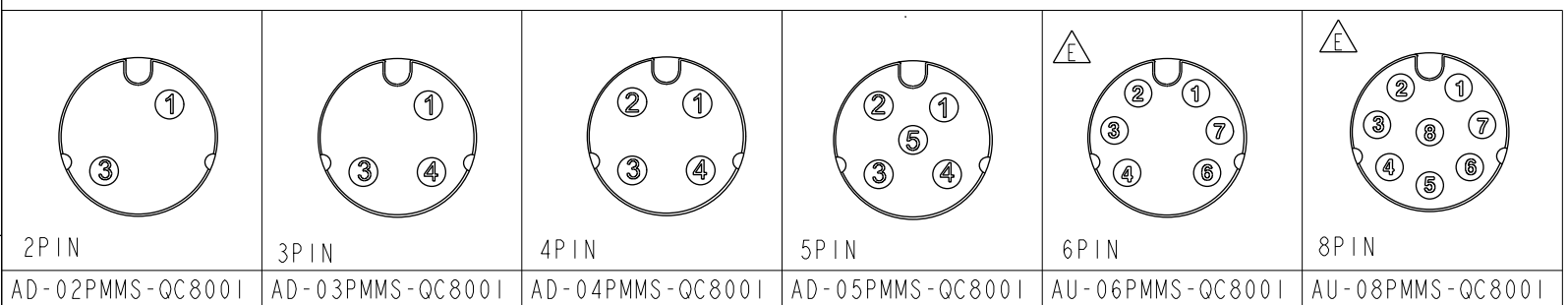
ITEM NO	DRAWN BY	DATE
	Vicky	2019-03-15
DWG NO	CHECKED BY	DATE
AX-XXPMMS-0C8001	Rita	2019-03-15
CUSTOMER	APPROVED BY	DATE
ALTW	Max	2019-03-15

THIS DOCUMENT IS SUBJECT TO CHANGE WITHOUT NOTICE. IT IS CONFIDENTIAL AND A PROPERTY OF AMPHENOL LTW. DISCLOSURE TO THIRD PARTY HAS TO BE AUTHORIZED BY AMPHENOL LTW.

THIS DOCUMENT IS SUBJECT TO CHANGE WITHOUT NOTICE. IT IS CONFIDENTIAL AND A PROPERTY OF Amphenol LTW. DISCLOSURE TO THIRD PARTY HAS TO BE AUTHORIZED BY Amphenol LTW.



△



AD-02PMMS-QC8001 AD-03PMMS-QC8001 AD-04PMMS-QC8001 AD-05PMMS-QC8001 AU-06PMMS-QC8001 AU-08PMMS-QC8001

UNIT:mm
 TOLERANCE
 ±0.5mm

TITLE
 X Lok A-Size Receptacle
 Front Fastened M Conn M Pin

SCALE 1:1 SIZE A4 SHEET 2 OF 2

REV. F WC-REV. .0 QC: Inspection item

Amphenol LTW
 安費諾亮泰企業股份有限公司

ITEM NO
 DWG NO
 AX-XXPMMS-QC8001
 CUSTOMER
 ALTW

DRAWN BY
 Vicky
 CHECKED BY
 Rita
 APPROVED BY
 Max

DATE
 2019-03-15
 DATE
 2019-03-15
 DATE
 2019-03-15