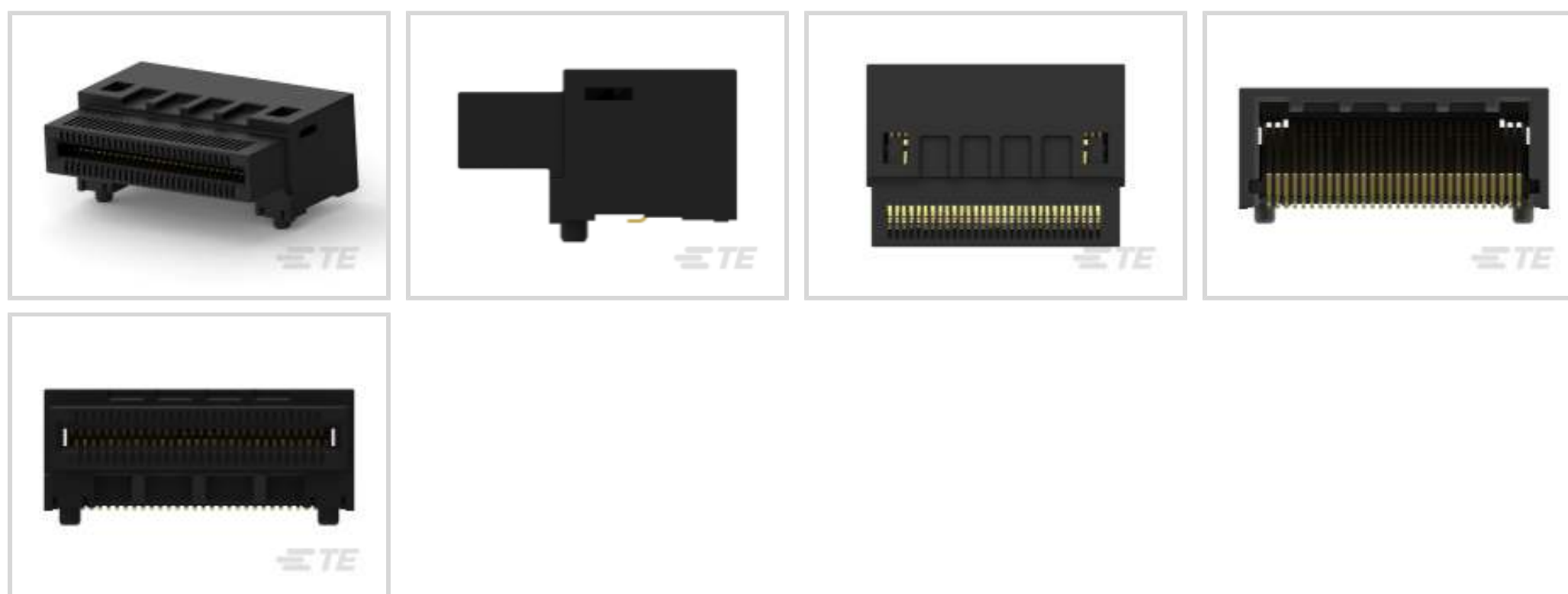




TE Internal #: 2324869-1
 OSFP, Connector, Cable-to-Board, Data Rate (Max) 28 Gb/s,
 Surface Mount Mount, Printed Circuit Board, Board Mount, -67 –
 185 °F [-55 – 85 °C]

[View on TE.com >](#)

Connectors > Pluggable IO Connectors & Cages > OSFP > OSFP Connector Assembly: Surface Mount



Pluggable I/O Product Type: **Connector**

Connector System: **Cable-to-Board**

Data Rate (Max): **28 Gb/s**

Centerline (Pitch): **.6 mm [.024 in]**

PCB Mounting Style: **Surface Mount**

[All OSFP Connector Assembly: Surface Mount \(6\)](#)

Features

Product Type Features

Form Factor	OSFP
Pluggable I/O Product Type	Connector
Connector System	Cable-to-Board
Sealable	No
Connector & Contact Terminates To	Printed Circuit Board

Electrical Characteristics

Data Rate (Max)	28 Gb/s
-----------------	---------

Mechanical Attachment

PCB Mounting Style	Surface Mount
Connector Mounting Type	Board Mount

Housing Features

Centerline (Pitch)	.6 mm [.024 in]
--------------------	-----------------

Usage Conditions



Operating Temperature Range	-55 – 85 °C[-67 – 185 °F]
-----------------------------	---------------------------

Operation/Application

Circuit Application	Signal
---------------------	--------

Other

Included Lightpipe	No
--------------------	----

Product Compliance

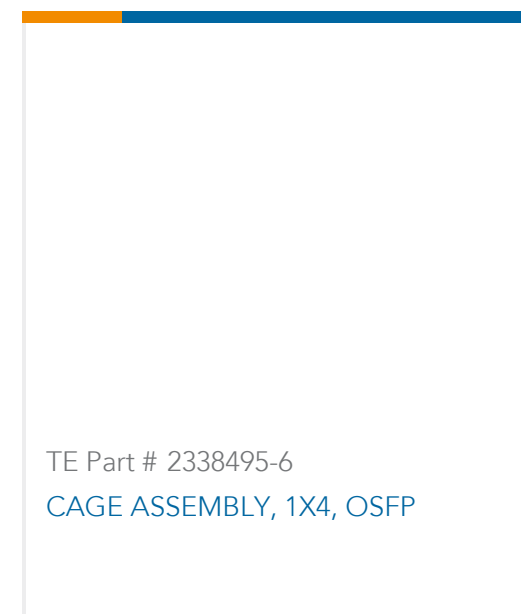
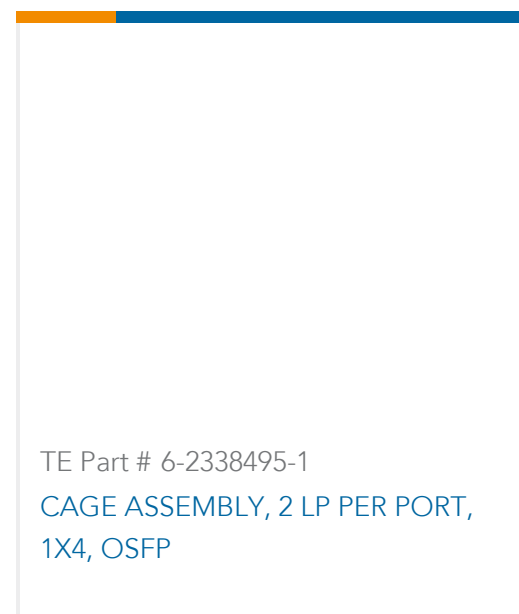
[For compliance documentation, visit the product page on TE.com>](#)

EU RoHS Directive 2011/65/EU	Compliant
EU ELV Directive 2000/53/EC	Compliant
China RoHS 2 Directive MIIT Order No 32, 2016	No Restricted Materials Above Threshold
EU REACH Regulation (EC) No. 1907/2006	Current ECHA Candidate List: JUNE 2023 (235) Candidate List Declared Against: JUNE 2023 (235) Does not contain REACH SVHC
Halogen Content	Low Halogen - Br, Cl, F, I < 900 ppm per homogenous material. Also BFR/CFR/PVC Free
Solder Process Capability	Reflow solder capable to 260°C

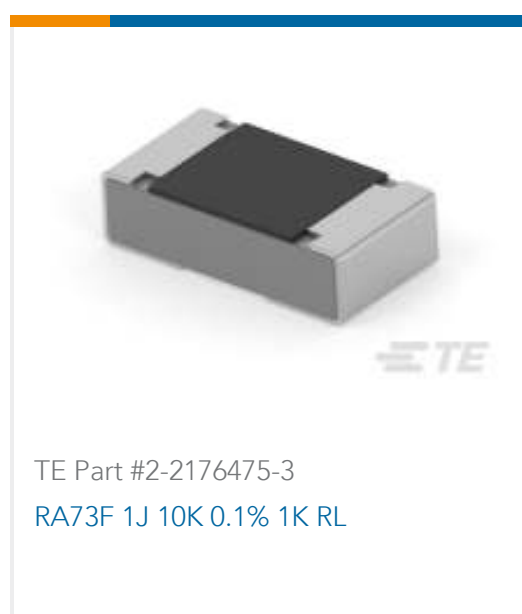
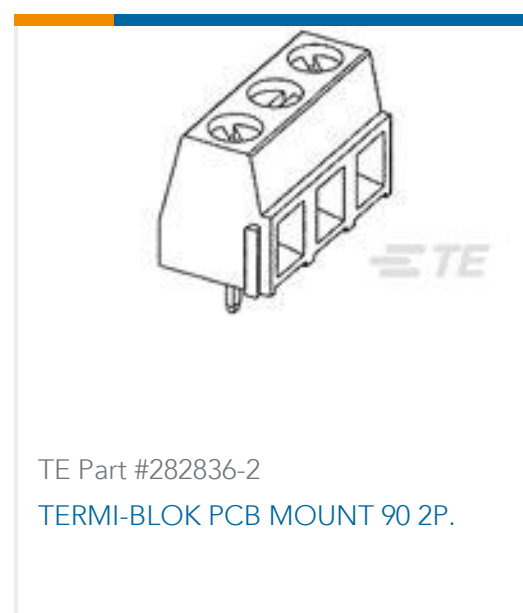
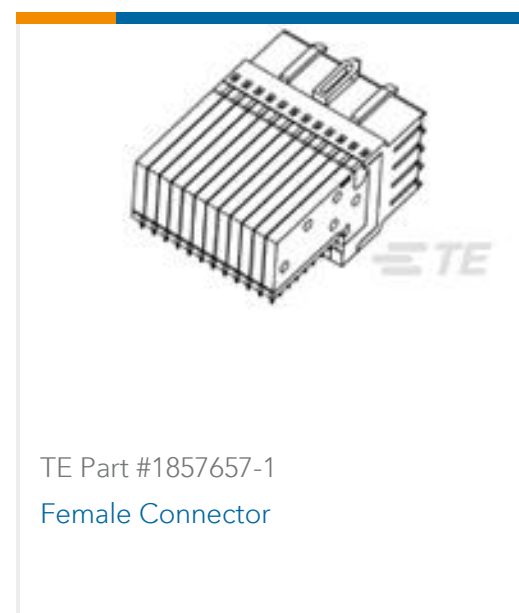
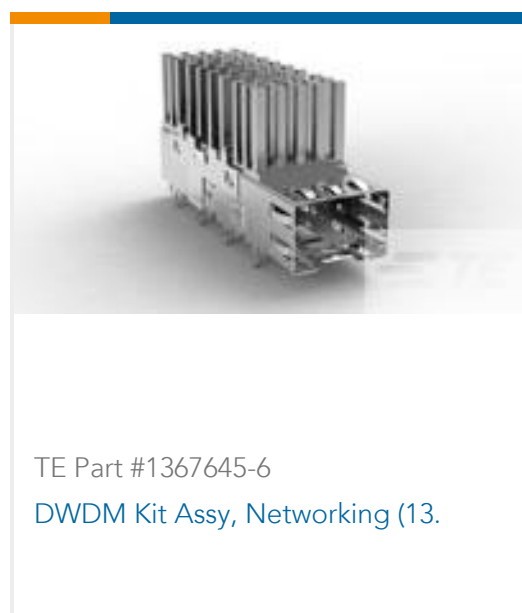
Product Compliance Disclaimer

This information is provided based on reasonable inquiry of our suppliers and represents our current actual knowledge based on the information they provided. This information is subject to change. The part numbers that TE has identified as EU RoHS compliant have a maximum concentration of 0.1% by weight in homogenous materials for lead, hexavalent chromium, mercury, PBB, PBDE, DBP, BBP, DEHP, DIBP, and 0.01% for cadmium, or qualify for an exemption to these limits as defined in the Annexes of Directive 2011/65/EU (RoHS2). Finished electrical and electronic equipment products will be CE marked as required by Directive 2011/65/EU. Components may not be CE marked. Additionally, the part numbers that TE has identified as EU ELV compliant have a maximum concentration of 0.1% by weight in homogenous materials for lead, hexavalent chromium, and mercury, and 0.01% for cadmium, or qualify for an exemption to these limits as defined in the Annexes of Directive 2000/53/EC (ELV). Regarding the REACH Regulation, the information TE provides on SVHC in articles for this part number is based on the latest European Chemicals Agency (ECHA) 'Guidance on requirements for substances in articles' posted at this URL: <https://echa.europa.eu/guidance-documents/guidance-on-reach>

Compatible Parts



Customers Also Bought



Documents

Product Drawings

CONNECTOR ASSEMBLY, SMT, PDNI, OSFP

English

CAD Files

3D PDF

3D

Customer View Model

ENG_CVM_CVM_2324869-1_1.2d_dxf.zip



English

Customer View Model

[ENG_CVM_CVM_2324869-1_1.3d_igs.zip](#)

English

Customer View Model

[ENG_CVM_CVM_2324869-1_1.3d_stp.zip](#)

English

By downloading the CAD file I accept and agree to the [Terms and Conditions](#) of use.

Product Specifications

[Application Specification](#)

English

Product Environmental Compliance

[Product Compliance](#)

English

[Product Compliance](#)

English