



**Electrical Specifications**

**Center Frequency:** 228 MHz  
**Bandwidth:** 20 MHz  
**Passband :** 218 MHz to 238 MHz  
**Insertion Loss:** ≤ 2.0dB @ 228 MHz  
**Return Loss:** >14dB @ 218 MHz to 238 MHz  
**Rejection:** >50dB @ 0-187 MHz  
**Rejection2:** >40dB @ 280 MHz to 1500 MHz  
**Impedance:** 50 Ohms

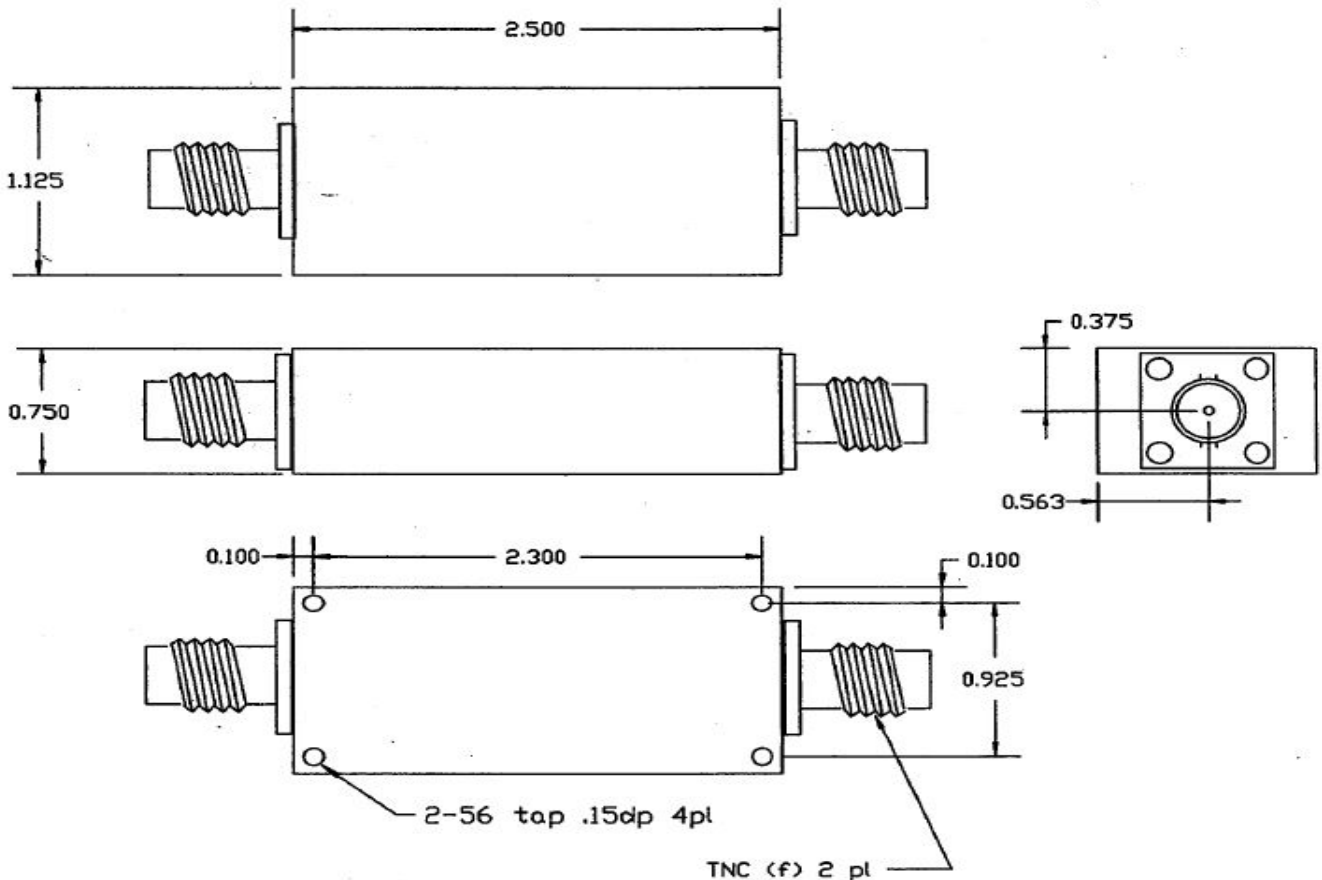
**Mechanical**

**Connector Type:** TNC(F)  
**Dimensions:** 2.5" x 1.125" x 0.75" in.

**Environmental**

**Operating Temperature:** -25°C to +70°C  
**Storage Temperature:** -40°C to +90°C  
**Shock:** 10 G. 11ms  
**Vibration:** 10 G. 5 to 200Hz

**Outline Drawing:**





**ANATECH ELECTRONICS INC**  
RF & Microwave Filters & Products

# 228 MHz LC Bandpass Filter

Part Number: AE228B10142



## Response Plot:

