

1969612-6 ✓ ACTIVE



VAL-U-LOK

TE Internal #: 1969612-6

Rectangular Power Connectors, Housing, Plug, Wire-to-Wire, 6 Position, 4.2 mm [.165 in] Centerline, Wire & Cable, UL 94V-0

[View on TE.com >](#)

Connectors > Power Connectors > Rectangular Power > Rectangular Power Connectors



Rectangular Power Connector Type: **Housing**

Connector & Housing Type: **Plug**

Connector System: **Wire-to-Wire**

Number of Positions: **6**

Centerline (Pitch): **4.2 mm [.165 in]**

Features

Product Type Features

Rectangular Power Connector Type	Housing
Connector & Housing Type	Plug
Connector System	Wire-to-Wire
Sealable	No
Connector & Contact Terminates To	Wire & Cable

Configuration Features

Number of Positions	6
Number of Rows	2

Electrical Characteristics

Operating Voltage	600 VAC
-------------------	---------

Contact Features

Contact Retention Within Housing	Without
Contact Type	Pin

Termination Features



Termination Method to Wire & Cable	Crimp
------------------------------------	-------

Mechanical Attachment

Connector Mounting Type	Cable Mount (Free-Hanging)
-------------------------	----------------------------

Housing Features

Centerline (Pitch)	4.2 mm [.165 in]
--------------------	------------------

Housing Color	Natural
---------------	---------

Housing Material	Nylon 6/6
------------------	-----------

Dimensions

Connector Height	11.6 mm [.457 in]
------------------	-------------------

Product Width	23.8 mm [.937 in]
---------------	-------------------

Product Length	13.8 mm [.543 in]
----------------	-------------------

Row-to-Row Spacing	4.2 mm [.165 in]
--------------------	------------------

Usage Conditions

Operating Temperature Range	-40 – 105 °C [-40 – 221 °F]
-----------------------------	-----------------------------

Operation/Application

Circuit Application	Power & Signal
---------------------	----------------

Industry Standards

CSA Rating	208567
------------	--------

UL Rating	Recognized
-----------	------------

Agency/Standard	CSA, UL
-----------------	---------

Approved Standards	UL E28476
--------------------	-----------

UL Flammability Rating	UL 94V-0
------------------------	----------

Glow Wire Rating	Standard Part - Not Glow Wire
------------------	-------------------------------

Packaging Features

Packaging Quantity	500
--------------------	-----

Packaging Method	Bag
------------------	-----

Product Compliance

[For compliance documentation, visit the product page on TE.com>](#)

EU RoHS Directive 2011/65/EU	Compliant
------------------------------	-----------

EU ELV Directive 2000/53/EC	Compliant
-----------------------------	-----------

China RoHS 2 Directive MIIT Order No 32, 2016	No Restricted Materials Above Threshold
---	---



EU REACH Regulation (EC) No. 1907/2006

Current ECHA Candidate List: JUNE 2023 (235)

Candidate List Declared Against: JUNE 2023 (235)

Does not contain REACH SVHC

Halogen Content

Not Low Halogen - contains Br or Cl > 900 ppm.

Solder Process Capability

Not reviewed for solder process capability

Product Compliance Disclaimer

This information is provided based on reasonable inquiry of our suppliers and represents our current actual knowledge based on the information they provided. This information is subject to change. The part numbers that TE has identified as EU RoHS compliant have a maximum concentration of 0.1% by weight in homogenous materials for lead, hexavalent chromium, mercury, PBB, PBDE, DBP, BBP, DEHP, DIBP, and 0.01% for cadmium, or qualify for an exemption to these limits as defined in the Annexes of Directive 2011/65/EU (RoHS2). Finished electrical and electronic equipment products will be CE marked as required by Directive 2011/65/EU. Components may not be CE marked. Additionally, the part numbers that TE has identified as EU ELV compliant have a maximum concentration of 0.1% by weight in homogenous materials for lead, hexavalent chromium, and mercury, and 0.01% for cadmium, or qualify for an exemption to these limits as defined in the Annexes of Directive 2000/53/EC (ELV). Regarding the REACH Regulation, the information TE provides on SVHC in articles for this part number is based on the latest European Chemicals Agency (ECHA) 'Guidance on requirements for substances in articles' posted at this URL: <https://echa.europa.eu/guidance-documents/guidance-on-reach>

Compatible Parts



TE Part # 1586038-6
6P VRT HDR VAL-U-LOK V0



TE Part # 1969614-6
6P RCPT VAL-U-LOK V0



TE Part # 1586040-6
6P VAL-U-LOK VRT HDR W/P V0



TE Part # 1586019-6
6P RCPT VAL-U-LOK V0



TE Part # 1586042-6
6P VAL-U-LOK R/A HDR V0



TE Part # 1586044-6
6P VAL-U-LOK R/A HDR SCR MT V0

TE Part # 2029029-6
6P RCPT VAL-U-LOK V0 BLK

TE Part # 2029094-6
6P RCPT VAL-U-LOK V0 RED



TE Part # 2029100-6
6P RCPT VAL-U-LOK V0 BLUE

Customers Also Bought



TE Part #926682-3
06P UNIV.M-N-L.HSG.



TE Part #928962-2
FF 250 TAB 1.0-2.5MM2 TBR



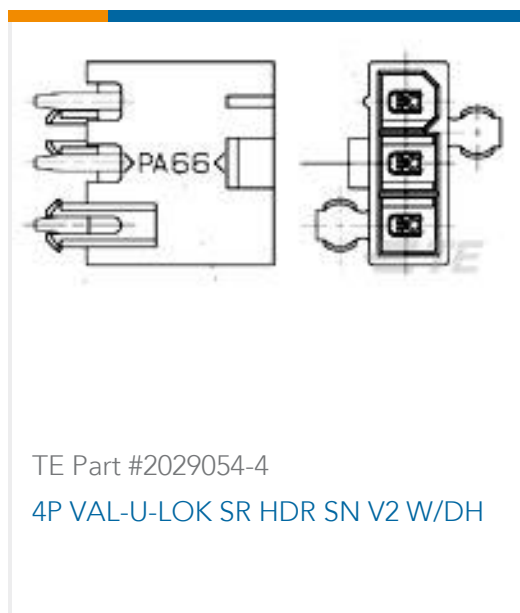
TE Part #1969614-6
6P RCPT VAL-U-LOK V0



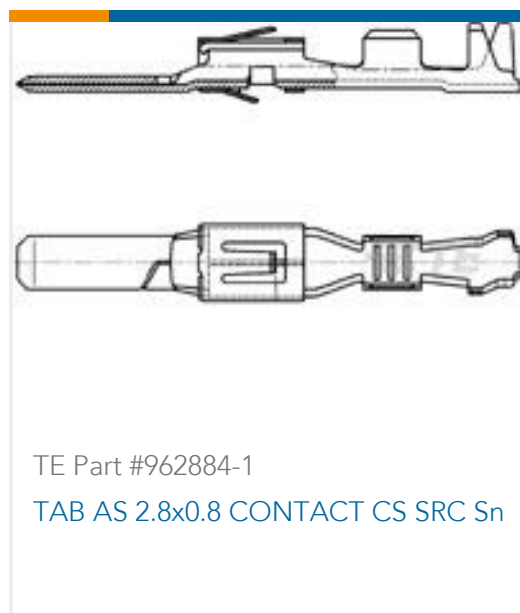
TE Part #926887-1
UNIV.M-N-L.PIN



TE Part #293041-2
FF 250 TAB 0.35-1.0MM2 TPBR



TE Part #2029054-4
4P VAL-U-LOK SR HDR SN V2 W/DH



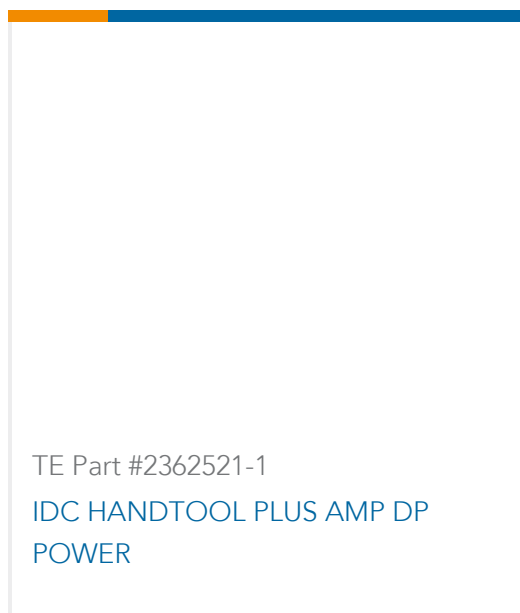
TE Part #962884-1
TAB AS 2.8x0.8 CONTACT CS SRC Sn



TE Part #1969612-4
4P FH PLUG VAL-U-LOK V0



TE Part #1-1768018-2
EET-0916P-9



TE Part #2362521-1
IDC HANDTOOL PLUS AMP DP POWER

Documents

Product Drawings

6P FH PLUG VAL-U-LOK V0

English

CAD Files

3D PDF

3D

Customer View Model

ENG_CVM_CVM_1969612-6_A_c-1969612-6-a.2d_dxf.zip



English

Customer View Model

[ENG_CVM_CVM_1969612-6_A_c-1969612-6-a.3d_igs.zip](#)

English

Customer View Model

[ENG_CVM_CVM_1969612-6_A_c-1969612-6-a.3d_stp.zip](#)

English

By downloading the CAD file I accept and agree to the [Terms and Conditions](#) of use.

Datasheets & Catalog Pages

[1-1773730-3 VAL-U-LOK Connectors with TPA Flyer](#)

English

Product Specifications

[Application Specification](#)

English

Agency Approvals

[UL Report](#)

English