
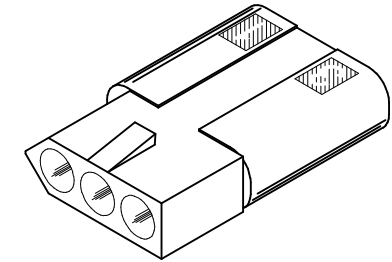
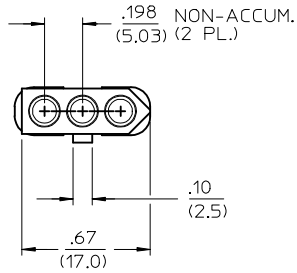
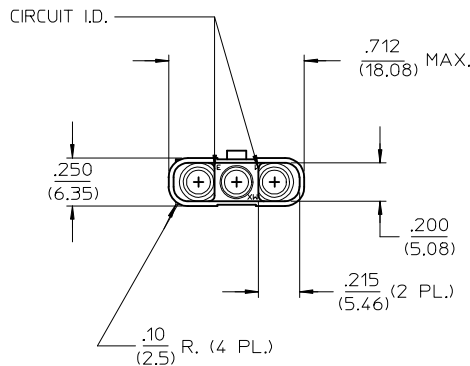
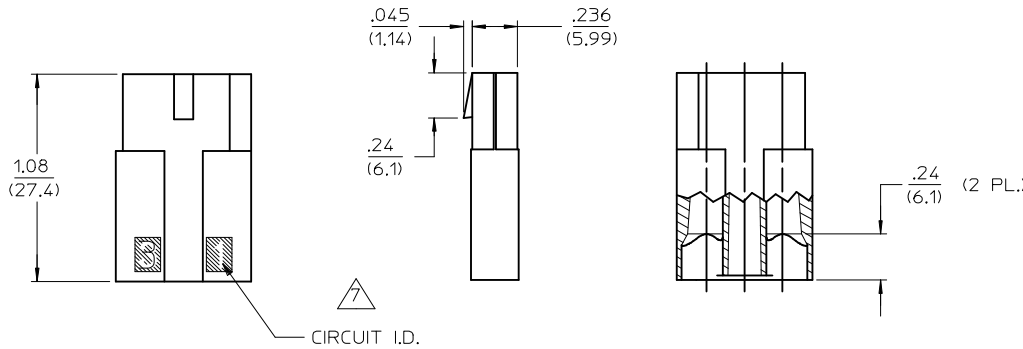


NOTES:

1. MATERIAL: A = NYLON 66, UL94V-2, COLOR: NATURAL.
2. FINISH: NONE
3. PRODUCT SPECIFICATION: NONE
4. PACKAGING SPECIFICATION: PK-6496-001.
5. THIS HOUSING IS FOR USE WITH MOLEX .093/(2.36) DIA. SERIES TERMINALS AND MATES WITH THE 1396-P* AND 42191-P* HOUSINGS.
6. THIS HOUSING IS PRIMARILY INTENDED FOR USE WITH APPLICATIONS USING 18 AWG, SPT-3 POWER CORDS. WHEN USING SPT-3 WIRE, TERMINALS CRIMPED TO THE OUTER CONDUCTORS (HAVING THE D-SHAPED INSULATION) ARE TO BE INSERTED IN CIRCUITS 1 & 3.
7.  CIRCUIT I.D. ON THIS SURFACE MAY OR MAY NOT BE PRESENT, DEPENDING ON AGE OF TOOL.
8. PARTS CONFORM TO CLASS B REQUIREMENTS OF COSMETIC SPECIFICATION PS-45499-002.



RECEPTACLE
POSITIVE LOCK RAMP VERSION
SCALE 3:1



REMOVE MATERIAL B EC NO: UCP2016-4759 DRWING: BAPPELDORN 2016/08/22 CHKD: JAPPR:FSMITH APPR:FSMITH P3	DESCRIPTION 2016/08/23	QUALITY SYMBOLS	GENERAL TOLERANCES (UNLESS SPECIFIED)		DIMENSION STYLE		SCALE	DESIGN UNITS	THIRD ANGLE PROJECTION		
		▽=0	mm	INCH	IN/MM			INCH			
		▽=0	4 PLACES ± ---	± ---	DRAWN BY	DATE	TITLE				
		▽=0	3 PLACES ± ---	± .010	CHECKED BY	DATE	.092/(2.36) HOUSING, RECEPTACLE, 3 CIRCUIT molex				
	2 PLACES ± 0.25	± .014	APPROVED BY	DATE	DOCUMENT NO.						
	1 PLACE ± 0.36	± ---	GWFF		1989/10/31	SD-6496-3R*		1 OF 2			
	0 PLACE ±	±	ANGULAR ±1/2°		SEE CHART		THIS DRAWING CONTAINS INFORMATION THAT IS PROPRIETARY TO MOLEX INCORPORATED AND SHOULD NOT BE USED WITHOUT WRITTEN PERMISSION				
DRAFT WHERE APPLICABLE MUST REMAIN WITHIN DIMENSIONS											

RECEPTACLE	
PART NO.	ENG. NO.
03-09-1037	6496-3RA
03-09-1030	6496-3RB
PRELIMINARY	6496-3RC

LEGEND:

6496-***-*

CIRCUIT SIZE

R = RECEPTACLE

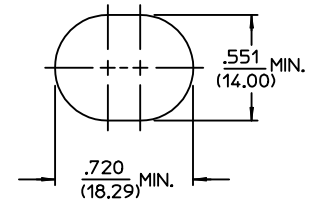
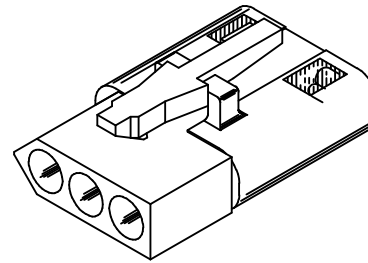
VERSION

A = WITH TOP MOUNTED THUMB LATCH

B = WITH POSITIVE LOCK RAMP

C = WITH BOTTOM MOUNTED THUMB LATCH

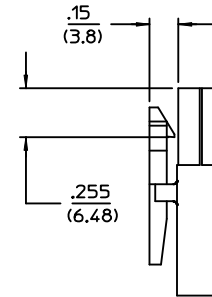
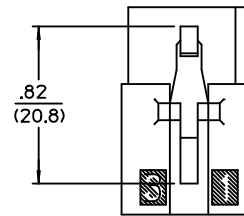
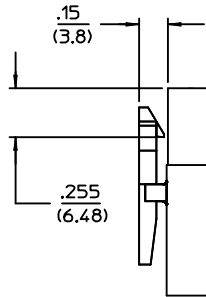
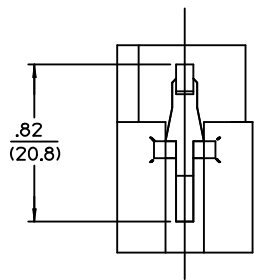
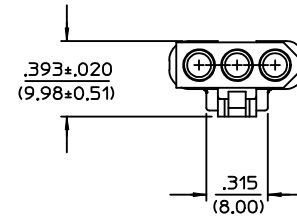
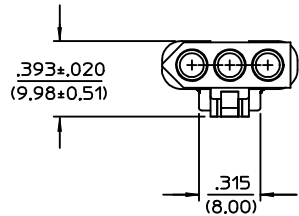
BLANK = MAT'L CODE A



RECEPTACLE

TOP MOUNTED THUMB LATCH VERSION SHOWN
SCALE 3:1

RECOMMENDED PANEL
OPENING



CIRCUIT I.D. NO'S.
ON THIS SIDE

BOTTOM MOUNTED THUMB LATCH VERSION
SEE SHEET 1 FOR OTHER DIMENSIONS

TOP MOUNTED THUMB LATCH VERSION
SEE SHEET 1 FOR OTHER DIMENSIONS

SEE SHEET 1 IEC NO: UCP2016-4759 DRWING: BAPPELDORN 2016/08/22 CHKD: P3 APPR: FSMITH 2016/08/23	QUALITY SYMBOLS = 0 = 0 = 0	GENERAL TOLERANCES (UNLESS SPECIFIED) <table border="1"> <thead> <tr> <th></th> <th>mm</th> <th>INCH</th> </tr> </thead> <tbody> <tr> <td>4 PLACES</td> <td>± .010</td> <td>± .0004</td> </tr> <tr> <td>3 PLACES</td> <td>± .010</td> <td>± .0004</td> </tr> <tr> <td>2 PLACES</td> <td>± 0.25</td> <td>± .010</td> </tr> <tr> <td>1 PLACE</td> <td>± 0.36</td> <td>± .014</td> </tr> <tr> <td>0 PLACE</td> <td>±</td> <td>±</td> </tr> </tbody> </table>		mm	INCH	4 PLACES	± .010	± .0004	3 PLACES	± .010	± .0004	2 PLACES	± 0.25	± .010	1 PLACE	± 0.36	± .014	0 PLACE	±	±	DIMENSION STYLE IN/MM DRAWN BY DATE GMC 1989/10/31 CHECKED BY DATE RW 1989/10/31 APPROVED BY DATE GWF 1989/10/31	SCALE 2:1 DESIGN UNITS INCH THIRD ANGLE PROJECTION	TITLE .092/(2.36) HOUSING, RECEPTACLE, 3 CIRCUIT molex DOCUMENT NO. SD-6496-3R* SHEET NO. 2 OF 2
		mm	INCH																				
	4 PLACES	± .010	± .0004																				
	3 PLACES	± .010	± .0004																				
	2 PLACES	± 0.25	± .010																				
1 PLACE	± 0.36	± .014																					
0 PLACE	±	±																					
DRAFT WHERE APPLICABLE MUST REMAIN WITHIN DIMENSIONS	ANGULAR ±1/2°	MATERIAL NO. SEE CHART	THIS DRAWING CONTAINS INFORMATION THAT IS PROPRIETARY TO MOLEX INCORPORATED AND SHOULD NOT BE USED WITHOUT WRITTEN PERMISSION																				
REV P3	DESCRIPTION	SIZE C																					