



"Ice Cube" Relays and Sockets

BAMI

RG/SG

Relay

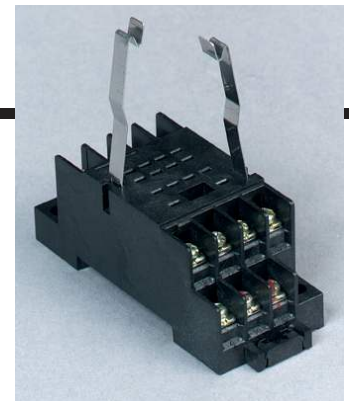
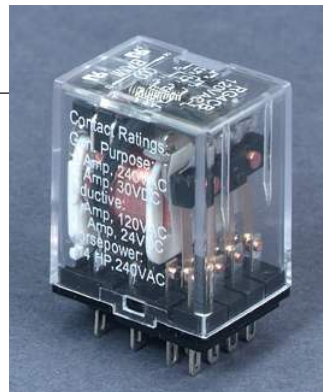
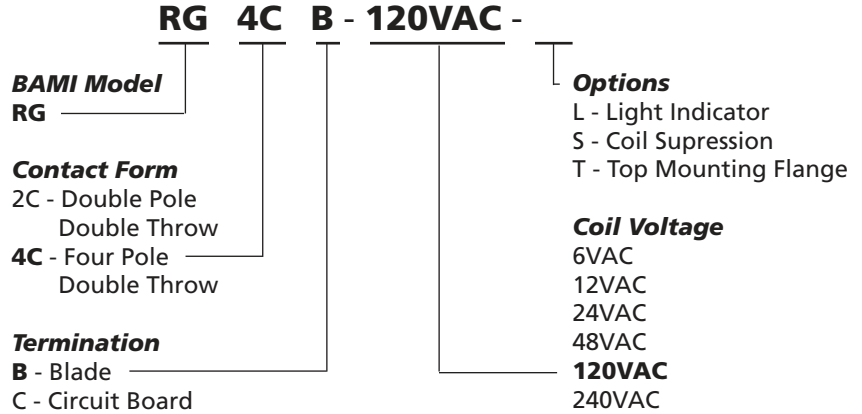
Contact Ratings

- 5 Amps @ 30VDC/240VAC
Double Pole, Gen. Purpose
- 3 Amps @ 30VDC/240VAC
Four Pole, General Purpose
- 1 Amps @ 120 VAC
Inductive (Cos ϕ =.35)
- 1/4HP @ 240VAC Motor

Specifications

- Pick-Up Voltage: 75% of Rated Voltage
- Drop-Out Voltage:
 - 30% of rated AC Voltage
 - 10% of rated DC Voltage
- Max. Voltage: 110% of rated Voltage
- Operating Time: 20 milliseconds
- Coil Power:
 - 1.9VA 50Hz
 - 1.7VA 60Hz
 - 1.2W DC
- Temperature Rating: -10°C to 40°C
- Contact Material: Silver (Ag)
- Contact Resistance:
 - <0.050 Ohms (before use)
- Minimum Operating Current:
 - 5mA@24VDC
- Life: Mechanical:
 - 50,000,000 Operations
- Electrical:
 - 600,000 Operations

Ordering Information

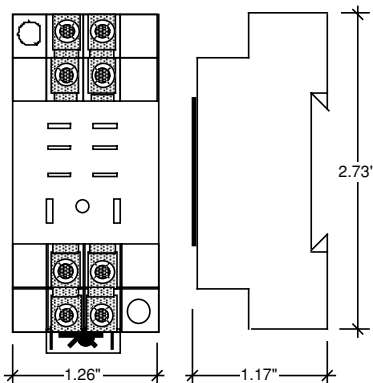


Socket

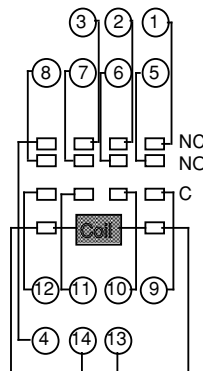
Specifications

- Current Rating: 5 Amps
- Voltage Rating: 250VAC
- Mounting: DIN or Surface

Dimensions



Connections



Ordering Information

