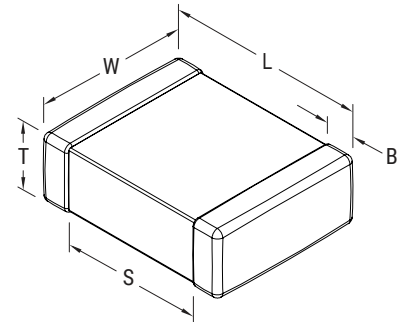


Sample Kit Contents

KEMET Part Number	Case Size	Cap	Cap Tolerance	Rated Voltage	T Thickness	Dielectric	Series	Quantity
	EIA/Metric		%	VDC	mm			
C0805F472K2RACTU	0805/2012	4,700 pF	±10	200	0.90 ±0.10	X7R	Open Mode, Standard Termination	50
C0805F473K1RACTU	0805/2012	47,000 pF	±10	100	1.00 ±0.15	X7R	Open Mode, Standard Termination	50
C0805F683K1RACTU	0805/2012	68,000 pF	±10	100	1.25 ±0.15	X7R	Open Mode, Standard Termination	50
C0805F104K5RACTU	0805/2012	0.10 µF	±10	50	1.25 ±0.15	X7R	Open Mode, Standard Termination	50
C1206F683K2RACTU	1206/3216	68,000 pF	±10	200	1.60 ±0.15	X7R	Open Mode, Standard Termination	50
C1206F224K1RACTU	1206/3216	0.22 µF	±10	100	1.00 ±0.10	X7R	Open Mode, Standard Termination	50
C1206F474K5RACTU	1206/3216	0.47 µF	±10	50	0.90 ±0.10	X7R	Open Mode, Standard Termination	50
C1206F105K5RACTU	1206/3216	1.0 µF	±10	50	1.60 ±0.20	X7R	Open Mode, Standard Termination	50
C1210F225K5RACTU	1210/3225	2.2 µF	±10	50	1.70 ±0.20	X7R	Open Mode, Standard Termination	50
C1210F475K3RACTU	1210/3225	4.7 µF	±10	25	1.70 ±0.20	X7R	Open Mode, Standard Termination	50
C1812F475K5RACTU	1812/4532	4.7 µF	±10	50	1.60 ±0.20	X7R	Open Mode, Standard Termination	25
C0805J103K2RACTU	0805/2012	10,000 pF	±10	200	0.90 ±0.10	X7R	Open Mode, Flexible Termination	50
C0805J104K5RACTU	0805/2012	0.10 µF	±10	50	1.25 ±0.15	X7R	Open Mode, Flexible Termination	50
C0805J224K5RACTU	0805/2012	0.22 µF	±10	50	1.25 ±0.15	X7R	Open Mode, Flexible Termination	50
C1206J473K2RACTU	1206/3216	47,000 pF	±10	200	1.60 ±0.15	X7R	Open Mode, Flexible Termination	50
C1206J104K2RACTU	1206/3216	0.10 µF	±10	200	1.60 ±0.15	X7R	Open Mode, Flexible Termination	50
C1206J154K1RACTU	1206/3216	0.15 µF	±10	100	1.60 ±0.15	X7R	Open Mode, Flexible Termination	50
C1210J474K1RACTU	1210/3225	0.47 µF	±10	100	1.85 ±0.20	X7R	Open Mode, Flexible Termination	50
C1210J105K1RACTU	1210/3225	1.0 µF	±10	100	2.50 ±0.30	X7R	Open Mode, Flexible Termination	50
C1812J105K1RACTU	1812/4532	1.0 µF	±10	100	2.00 ±0.20	X7R	Open Mode, Flexible Termination	25
C0402S102K5RACTU	0402/1005	1,000 pF	±10	50	0.50 ±0.05	X7R	Floating Electrode, Standard Termination	100
C0603S102K2RACTU	0603/1608	1,000 pF	±10	200	0.80 ±0.07	X7R	Floating Electrode, Standard Termination	50
C0603S103K5RACTU	0603/1608	10,000 pF	±10	50	0.80 ±0.07	X7R	Floating Electrode, Standard Termination	50
C0805S103K1RACTU	0805/2012	10,000 pF	±10	100	0.78 ±0.10	X7R	Floating Electrode, Standard Termination	50
C0805S223K1RACTU	0805/2012	22,000 pF	±10	100	0.90 ±0.10	X7R	Floating Electrode, Standard Termination	50
C1206S223KARACTU	1206/3216	22,000 pF	±10	250	0.90 ±0.10	X7R	Floating Electrode, Standard Termination	50
C1206S104K5RACTU	1206/3216	0.10 µF	±10	50	1.25 ±0.15	X7R	Floating Electrode, Standard Termination	50
C1210S473K2RACTU	1210/3225	47,000 pF	±10	200	0.90 ±0.10	X7R	Floating Electrode, Standard Termination	50
C1210S224K5RACTU	1210/3225	0.22 µF	±10	50	0.90 ±0.10	X7R	Floating Electrode, Standard Termination	50
C1812S104K1RACTU	1812/4532	0.10 µF	±10	100	1.00 ±0.10	X7R	Floating Electrode, Standard Termination	25
C0603Y222K2RACTU	0603/1608	2,200 pF	±10	200	0.80 ±0.07	X7R	Floating Electrode, Flexible Termination	50
C0603Y472K2RACTU	0603/1608	4,700 pF	±10	200	0.80 ±0.07	X7R	Floating Electrode, Flexible Termination	50
C0603Y223K5RACTU	0603/1608	22,000 pF	±10	50	0.80 ±0.07	X7R	Floating Electrode, Flexible Termination	50
C0805Y102K2RACTU	0805/2012	1,000 pF	±10	200	0.78 ±0.10	X7R	Floating Electrode, Flexible Termination	50
C0805Y104K5RACTU	0805/2012	0.10 µF	±10	50	1.25 ±0.15	X7R	Floating Electrode, Flexible Termination	50
C1206Y222K2RACTU	1206/3216	2,200 pF	±10	200	0.78 ±0.10	X7R	Floating Electrode, Flexible Termination	50
C1206Y103K2RACTU	1206/3216	10,000 pF	±10	200	0.78 ±0.10	X7R	Floating Electrode, Flexible Termination	50
C1210Y103K2RACTU	1210/3225	10,000 pF	±10	200	0.78 ±0.10	X7R	Floating Electrode, Flexible Termination	50
C1210Y104K1RACTU	1210/3225	0.10 µF	±10	100	0.95 ±0.10	X7R	Floating Electrode, Flexible Termination	50
C1812Y224K5RACTU	1812/4532	0.22 µF	±10	50	1.00 ±0.10	X7R	Floating Electrode, Flexible Termination	25

Dimensions – Millimeters (Inches) – Standard Termination

Case Size (in.)	Case Size (mm)	L Length	W Width	T Thickness	B Bandwidth	S Separation Minimum	Mounting Technique
0402	1005	1.00 (.040) ±0.05 (.002)	0.50 (.020) ±0.05 (.002)	See Table Above	0.30 (.012) ±0.10 (.004)	0.30 (.012)	Solder Reflow Only
0603	1608	1.60 (.063) ±0.15 (.006)	0.80 (.032) ±0.15 (.006)		0.35 (.014) ±0.15 (.006)	0.70 (.028)	Solder Wave or Solder Reflow
0805	2012	2.00 (.079) ±0.20 (.008)	1.25 (.049) ±0.20 (.008)		0.50 (0.02) ±0.25 (.010)	0.75 (.030)	
1206	3216	3.20 (.126) ±0.20 (.008)	1.60 (.063) ±0.20 (.008)		0.50 (0.02) ±0.25 (.010)	N/A	Solder Reflow Only
1210	3225	3.20 (.126) ±0.20 (.008)	2.50 (.098) ±0.20 (.008)		0.50 (0.02) ±0.25 (.010)		
1812	4532	4.50 (.177) ±0.30 (.012)	3.20 (.126) ±0.30 (.012)		0.60 (.024) ±0.35 (.014)		



Dimensions – Millimeters (Inches) – Flexible Termination

Case Size (in.)	Case Size (mm)	L Length	W Width	T Thickness	B Bandwidth	S Separation Minimum	Mounting Technique
0603	1608	1.60 (.064) ±0.17 (.007)	0.80 (.032) ±0.15 (.006)	See Table Above	0.45 (.018) ±0.15 (.006)	0.58 (.023)	Solder Wave or Solder Reflow
0805	2012	2.00 (.079) ±0.20 (.008)	1.25 (.049) ±0.20 (.008)		0.50 (0.02) ±0.25 (.010)	0.75 (.030)	
1206	3216	3.30 (.130) ±0.40 (.016)	1.60 (.063) ±0.20 (.008)		0.60 (.024) ±0.25 (.010)	N/A	Solder Reflow Only
1210	3225	3.30 (.130) ±0.40 (.016)	2.50 (.098) ±0.20 (.008)		0.60 (.024) ±0.25 (.010)		
1812	4532	4.50 (.178) ±0.40 (.016)	3.20 (.126) ±0.30 (.012)		0.70 (.028) ±0.35 (.014)		

