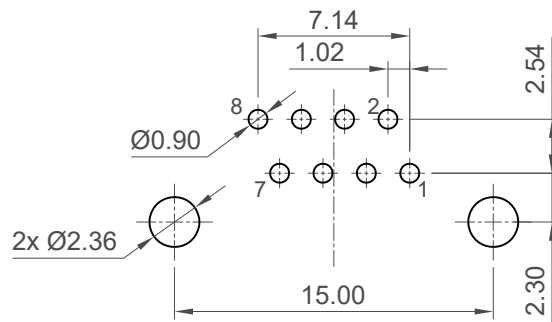
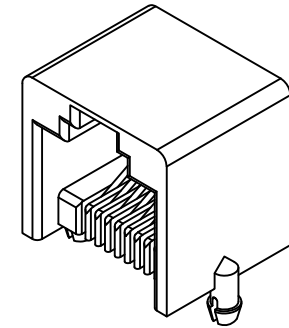


Section A-A



Recommended PCB Layout
Tolerance : ±0.05mm
Thickness: 1.60mm



Specifications

Material

Insulator: PBT, UL 94V-0, Yellow
Contact: Phosphor Bronze, Ø=0.46mm

Plating

See Ordering Grid

Electrical

Current Rating : 1.5 Amp
Current Voltage : 125V AC RMS
Contact Resistance : 20 mΩ max.
Insulation Resistance: 1000 MΩ min. @500V DC
Dielectric Withstand Voltage :
1000VAC RMS, Contact to Contact
@0.5mA 50Hz or 60Hz, 1min.

Mechanical & Environmental

Storage Temperature : -40°C to +85°C,
Relative Humidity <80%
Operation Temperature : -40°C to +85°C
Operating Life : 750 Cycles Min.
Mating/Unmating Force: 30N Max.
Retention Strength: 50N for 60s±5s
Mates With Modular Plug Conforming To FCC Part 68, Subpart F

Wave Soldering Temperature: 245°C ± 5°C, 5s

Ordering Grid

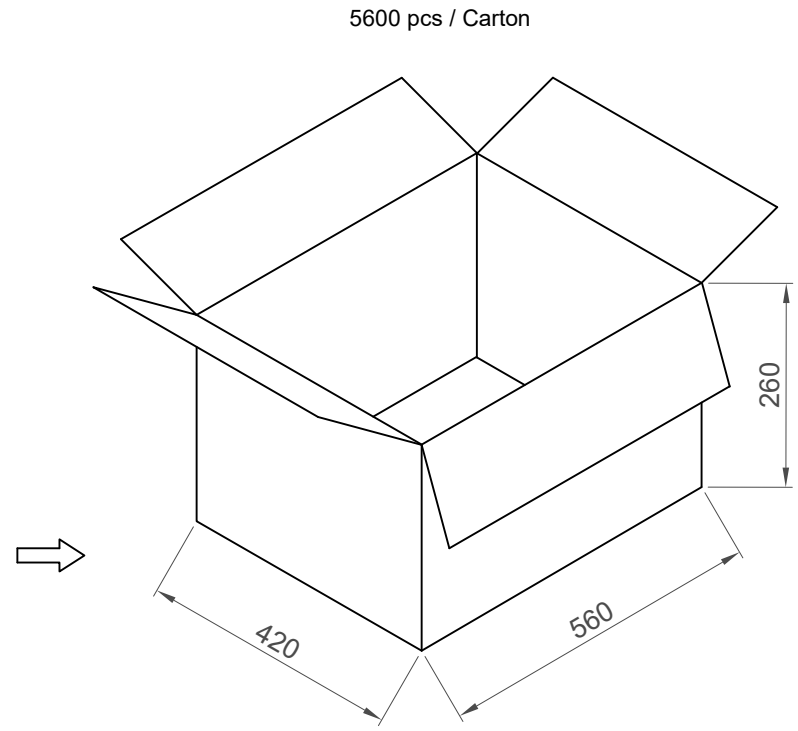
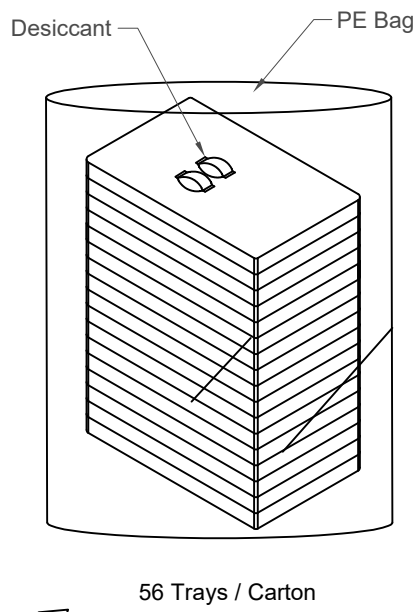
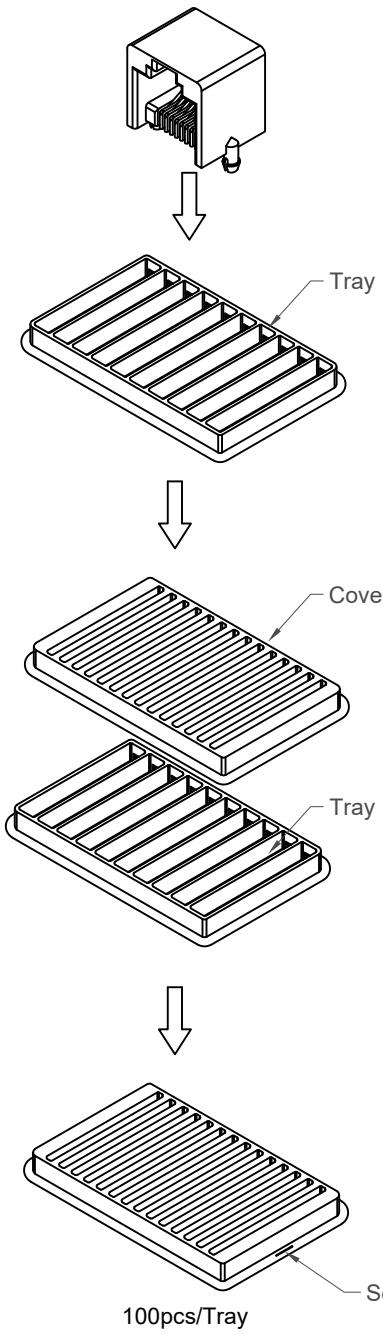
MJ3221 - 88 - 0 Request Samples and Quotation

No. of Positions/
Positions Loaded
88 = 8/8




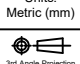
Contact Plating
0 = Gold Flash

Part Number		Product Description			This drawing is confidential and copyright of Global Connector Technology, Ltd (GCT). This drawing must not be copied or disclosed without written consent. E & OE
MJ3221-88		Modular Jack Connector, 8 Position, Category 3, Right Angle, Through Hole, Standard Profile, Inverted Latch			
Drawing Date		21st June 2021			
By	CC	Tolerances (Except as Noted)	Units:		
Detail	Drawing Release	Length	Metric (mm)		
Revision	A	X.X ± 0.20	± 1°		
Date	21/06/21	X.XX ± 0.15			
Not to Scale	Drawn By	Sheet No.			
	CC	1/2			





Pcs/Tray	Trays/Carton	Total Quantity
100	56	5600 pcs

Part Number		Product Description		 www.gct.co
MJ3221-88		Modular Jack Connector, 8 Position, Category 3, Right Angle, Through Hole, Standard Profile, Inverted Latch		
Drawing Date		21st June 2021		
By	CC	Tolerances (Except as Noted)	Units:	  This drawing is confidential and copyright of Global Connector Technology, Ltd (GCT). This drawing must not be copied or disclosed without written consent. E & OE
Detail	Drawing Release	Length	Angle	
Revision	A	-	-	
Date	21/06/21	 3rd Angle Projection		
		Not to Scale	Drawn By	Sheet No.
			CC	2/2