

Automotive-grade LDO with configurable output voltage based on the L99VR01STR



Features

- Eight selectable fixed output voltages: (0.8, 1.2, 1.5, 1.8, 2.5, 2.8, 3.3, and 5 V) with up to 200 mA load current capability
- Enable pin
- Reset
- Fast output discharge

Description

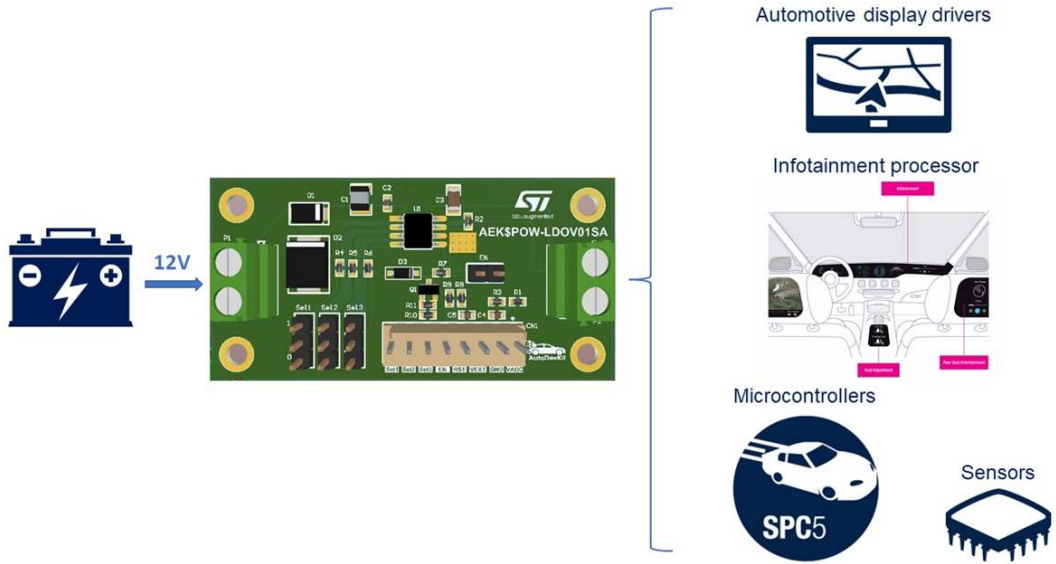
The **AEK-POW-LDOV01S** is an evaluation board based on the **L99VR01STR**. It can be used in several electronic applications such as microcontroller supplies, automotive display drivers, sensors, and infotainment processors.

Thanks to its thermal performance up to 150°C, the device is suitable for electronic applications with high temperature environments and for applications requiring stable power supplies.

Product summary	
Automotive-grade LDO with configurable output voltage and diagnostic features based on the L99VR01STR	AEK-POW-LDOV01S
Automotive linear voltage regulator with configurable output voltage and 200 mA current capability	L99VR01STR
AutoDevKit library plugin for SPC5-STUDIO	STSW-AUTODEVKIT
Code generator, quick resource configurator and Eclipse development environment for SPC5 MCUs	SPC5-Studio
Application	Power Distribution/ Digital Power

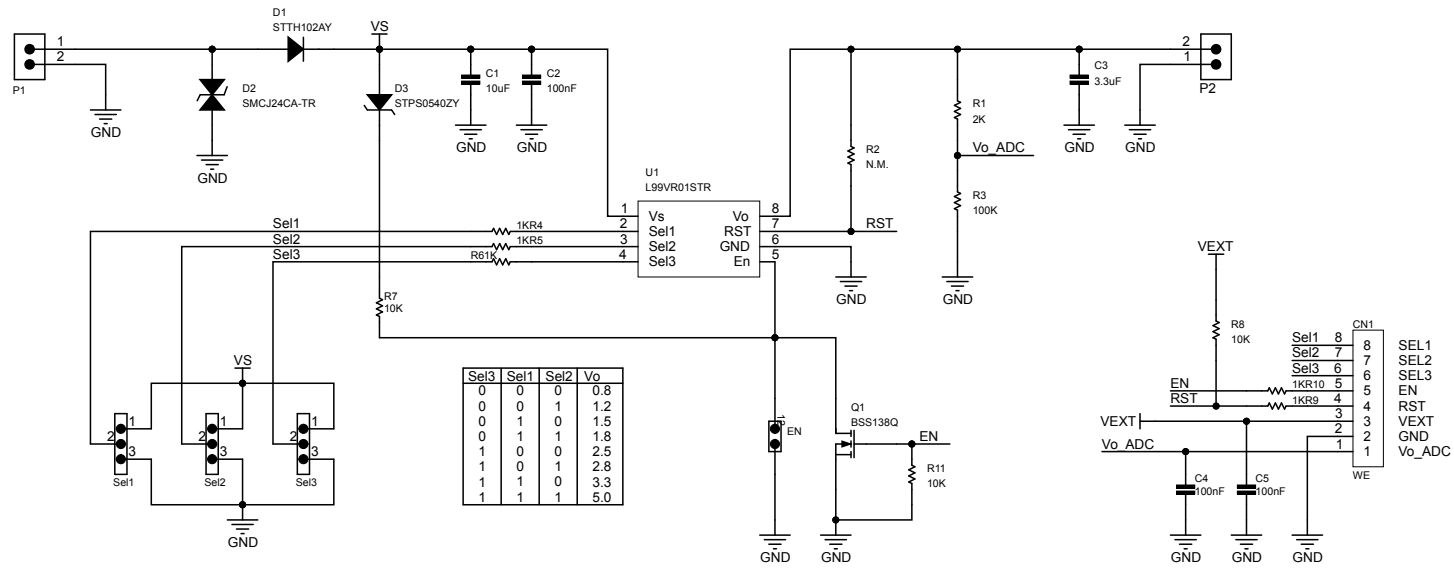
1 Block diagram

Figure 1. AEK-POW-LDOV01S block diagram



2 Schematic diagrams

Figure 2. AEK-POW-LDOV01S circuit schematic



3 Board versions

Table 1. AEK-POW-LDOV01S versions

PCB version	Schematic diagrams	Bill of materials
AEK\$POW-LDOV01SA ⁽¹⁾	AEK\$POW-LDOV01SA schematic diagrams	AEK\$POW-LDOV01SA bill of materials

1. This code identifies the AEK-POW-LDOV01S evaluation board first version. It is printed on the board PCB.

Revision history

Table 2. Document revision history

Date	Revision	Changes
26-Jul-2022	1	Initial release.

IMPORTANT NOTICE – READ CAREFULLY

STMicroelectronics NV and its subsidiaries (“ST”) reserve the right to make changes, corrections, enhancements, modifications, and improvements to ST products and/or to this document at any time without notice. Purchasers should obtain the latest relevant information on ST products before placing orders. ST products are sold pursuant to ST’s terms and conditions of sale in place at the time of order acknowledgment.

Purchasers are solely responsible for the choice, selection, and use of ST products and ST assumes no liability for application assistance or the design of purchasers’ products.

No license, express or implied, to any intellectual property right is granted by ST herein.

Resale of ST products with provisions different from the information set forth herein shall void any warranty granted by ST for such product.

ST and the ST logo are trademarks of ST. For additional information about ST trademarks, refer to www.st.com/trademarks. All other product or service names are the property of their respective owners.

Information in this document supersedes and replaces information previously supplied in any prior versions of this document.

© 2022 STMicroelectronics – All rights reserved