

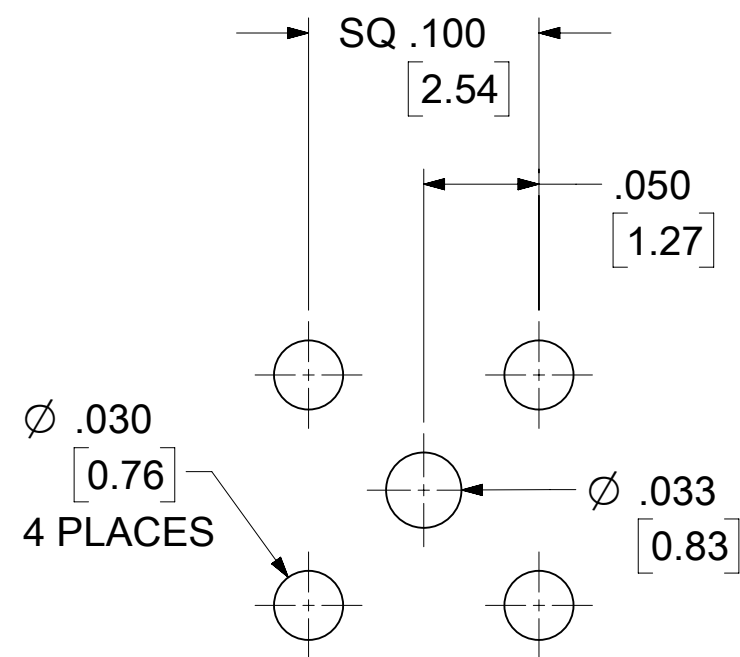
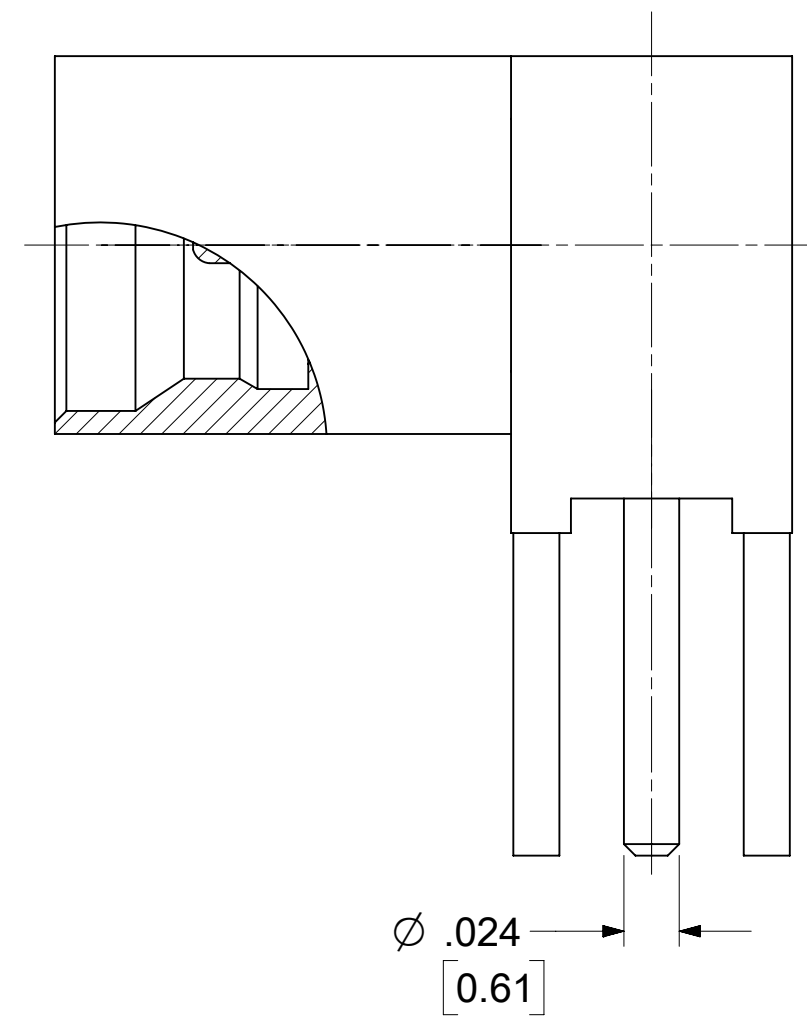
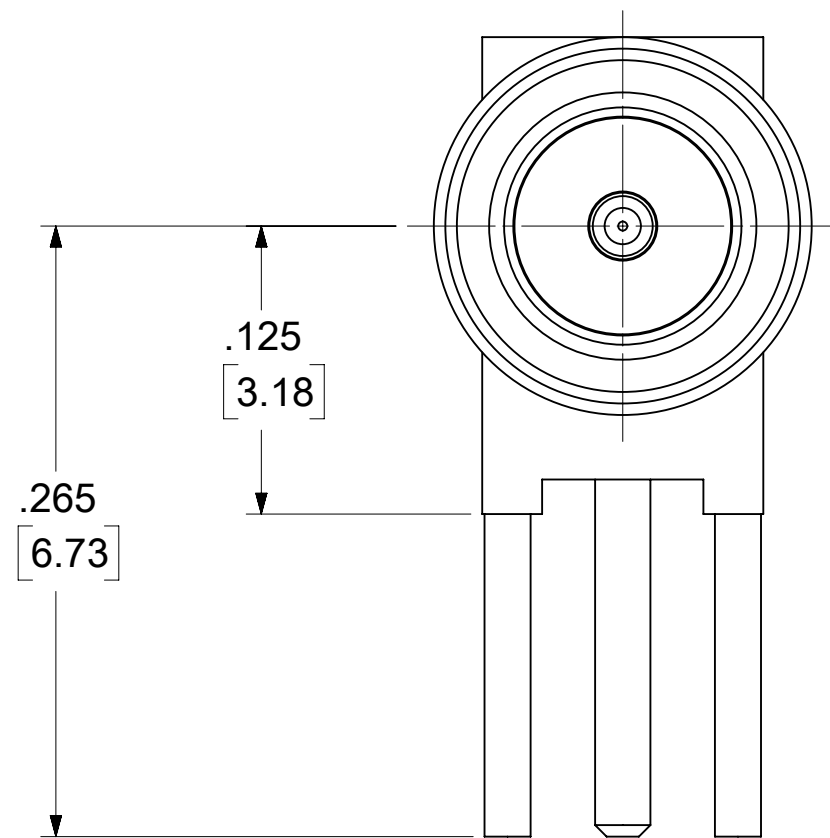
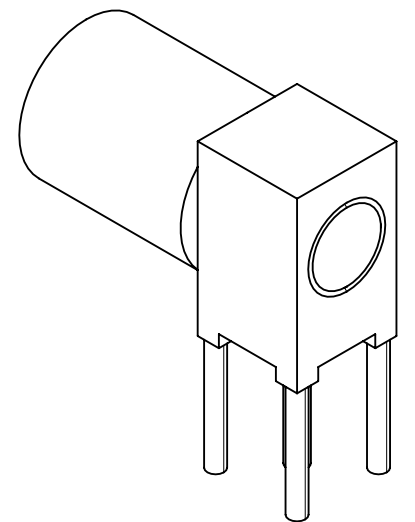
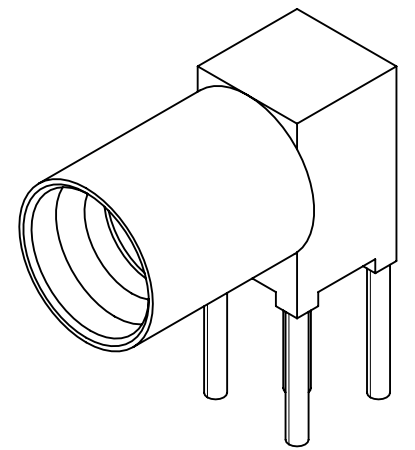
MATERIALS AND FINISHES:

BODY: BRASS
 PLATED GOLD (20μ-in MIN)
 OVER NICKEL

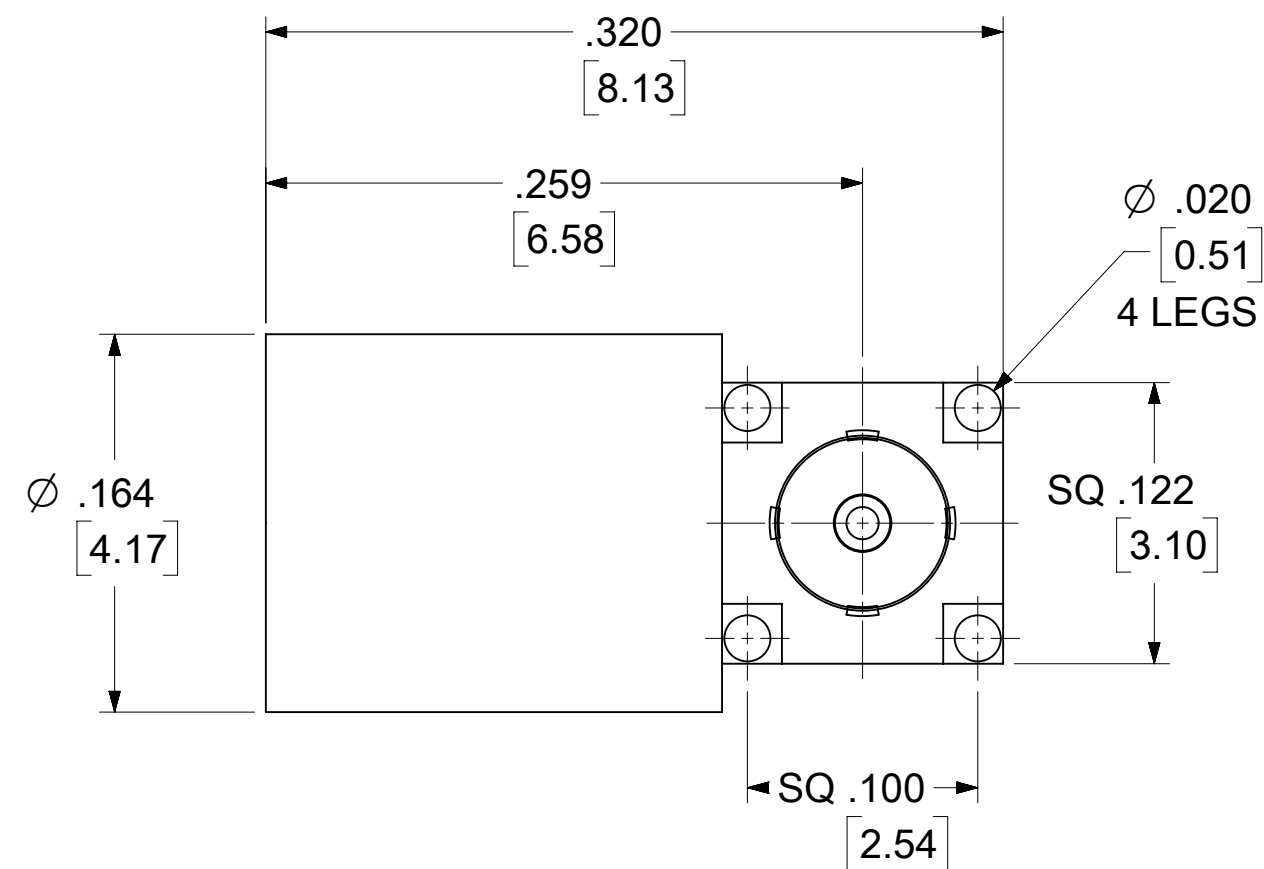
INSULATOR: PTFE

CONTACT: BERYLLIUM COPPER
 PLATED GOLD (50μ-in MIN)
 OVER NICKEL

CAP: BRASS
 PLATED GOLD (20μ-in MIN)
 OVER NICKEL



RECOMMENDED PCB CONFIGURATION



LABEL FORMAT FOR
 73406-0241

PART NUMBER: 73406-0240
 ORDER NUMBER: 73406-0241
 MOLEX
 DATE: YYWW

73406-0241	73406-0240 ONE PER BAG	895420470
73406-0240	73406-0240 TRAY	895420040
PART NO.	DESCRIPTION	PACKING SPEC

MIL-STD-348A, FIG. 326.2	INTERFACE
SPECIFICATION	DESCRIPTION

DOCUMENT STATUS	P1	RELEASE DATE	2022/08/25 06:22:13
-----------------	----	--------------	---------------------

THIS DRAWING CONTAINS INFORMATION THAT IS PROPRIETARY TO MOLEX ELECTRONIC TECHNOLOGIES, LLC AND SHOULD NOT BE USED WITHOUT WRITTEN PERMISSION

DIMENSION UNITS INCH/MM	SCALE NTS	CURRENT REV DESC: ADD 73406-0241 PER EWR #15321-B	molex		
GENERAL TOLERANCES (UNLESS SPECIFIED)		EC NO: 718857			
ANGULAR TOL	± 2.0°	DRWN: RYEH	2022/08/03		
4 PLACES	±	CHK'D: YCHENG	2022/08/25		
3 PLACES	±	APPR: YCHENG	2022/08/25		
2 PLACES	±	INITIAL REVISION:		PRODUCT CUSTOMER DRAWING	
1 PLACE	±	DRWN: RYEH	2012/06/06		DOCUMENT NUMBER
0 PLACES	±	APPR: MHUANG	2012/07/27		SD-73406-024
DRAFT WHERE APPLICABLE MUST REMAIN WITHIN DIMENSIONS		THIRD ANGLE PROJECTION	DRAWING	SERIES	MATERIAL NUMBER
			C-SIZE	73406	SEE TABLE
					CUSTOMER
					GENERAL MARKET
					SHEET NUMBER
					1 OF 1
					DOC TYPE
					PSD
					DOC PART
					001
					REVISION
					A1