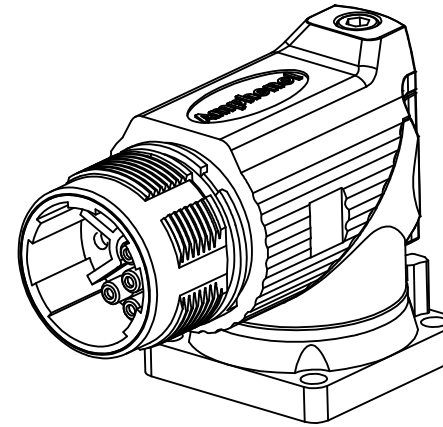
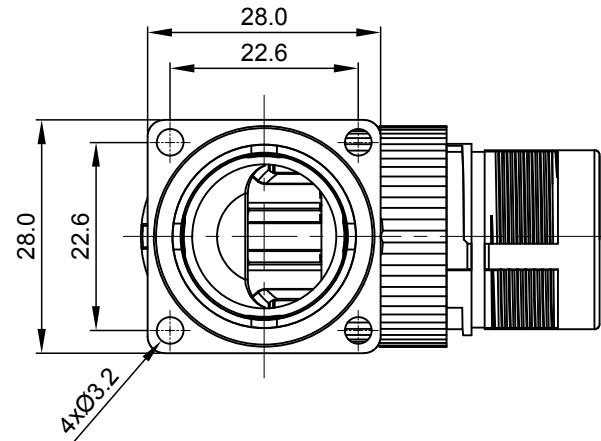


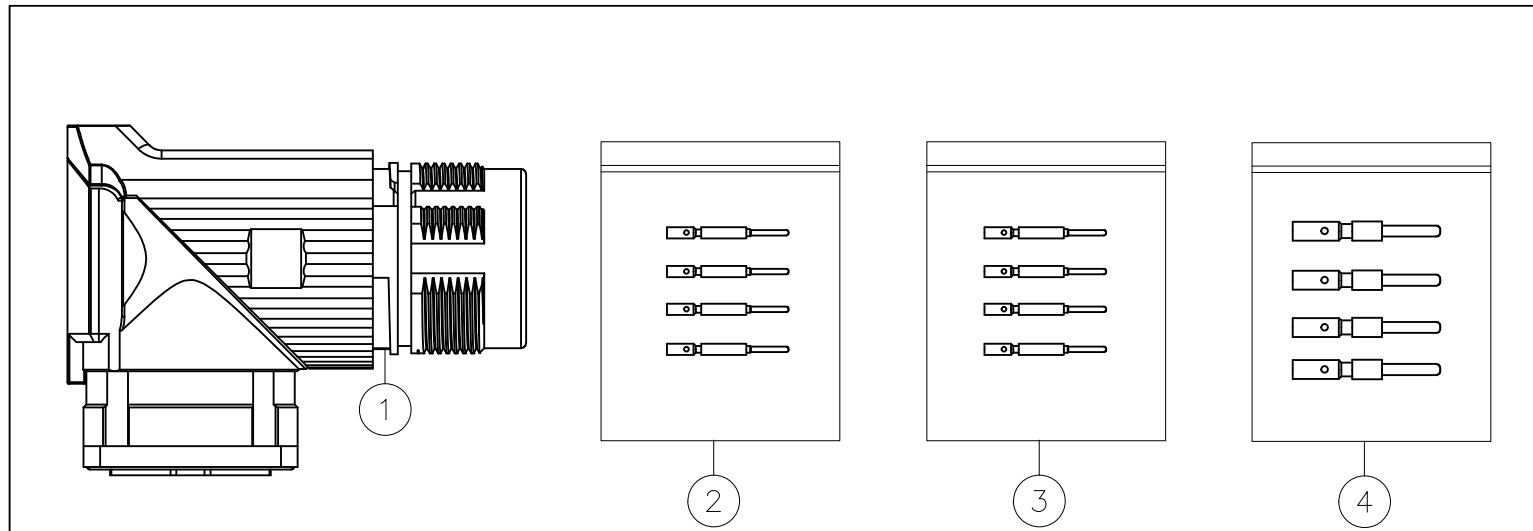
MOUNTING HOLE



REVISIONS					
REV	ECO	DESCRIPTION	DATE	BY	APPR
A1	-	FIRST RELEASE	Jan.12.2018	White	Tommy

NOTES: UNLESS OTHERWISE SPECIFIED

- MATERIAL:
 - INSULATION INSERT: PA66, UL94 V0
 - SEAL: VITON
 - HOUSING BODY: ZINC DIE CAST, NICKEL PLATED
 - COUPLING NUT: COPPER ALLOY, NICKEL PLATED
- SPECIFICATIONS:
 - 2.1 CURRENT RATING: SIGNAL: 10 AMPS
POWER: 30AMPS
 - 2.2 VOLTAGE RATING: SIGNAL: 250V AC/DC
POWER: 630V AC/DC
 - 2.3 OPERATING TEMPERATURE: -20°C TO +130°C
 - 2.4 DIELECTRIC WITHSTANDING VOLTAGE: LESS THAN 2 MILLIAMPS CURRENT LEAKAGE @ SIGNAL: 2500VOLTS AC.
POWER: 6000 VOLTS AC.
 - 2.5 DEGREE OF PROTECTION: IP67 (MATED CONDITION)
 - 2.6 DEGREE OF POLLUTION: 3 PER UL840
 - 2.7 OVERVOLTAGE CATEGORY: III PER UL840
 - 2.8 MATING CYCLE DURABILITY: >500 CYCLES
 - 2.9 RoHS COMPLIANT
- ALL DIMENSIONS ARE FOR REFERENCE USE ONLY.



QUANTITY	PART NUMBER	DESCRIPTION	ITEM
4	SC000262	CONTACT, PIN, Ø2.0mm, CRIMP 14~18AWG	4
5	SC000386	CONTACT, PIN, Ø1.0mm, CRIMP 24~28AWG	3
5	SC000261	CONTACT, PIN, Ø1.0mm, CRIMP 18~22AWG	2
1	MB5RJN0902	CONNECTOR	1

UNLESS OTHERWISE SPECIFIED		SIGNATURES		DATE
1) All dimensions are in metric (mm).		DRAWN:	White	Jan.12.2018
2) Tolerances are as follows:		CHECKED:	Tod	Jan.12.2018
1 PL DEC ±0.30	Fractions ±1/64	ENGINEER:		
2 PL DEC ±0.15	Angles ±1°	APPROVAL:	Tommy	Jan.12.2018
3 PL DEC ±0.08		CUSTOMER:		
3) Note reference =		THIS DRAWING IS SUPPLIED FOR INFORMATION ONLY. DESIGN FEATURES, SPECIFICATIONS AND PERFORMANCE DATA SHOWN HEREON ARE THE PROPERTY OF THE AMPHENOL CORPORATION. NO RIGHTS OF REPRODUCTION ARE IMPLIED. ALL DIMENSIONS ARE SUBJECT TO NORMAL MANUFACTURING VARIATIONS.		
MATERIAL SPECIFICATIONS:		Sine Systems - www.amphenol-sine.com 44724 Morley Drive Clinton Township, MI 48036		
PROCESS SPECIFICATIONS:		KIT, M23B, REC., RA, 9POS(4+5), FLANGE MOUNT, CHECKMATE		
NEXT ASSY:		SIZE	TYPE	DWG NO.
		B	C-	MB5RJN0902-KIT
		SCALE	NONE	REVISION
				A1
		SHEET 1 OF 1		

TITLE: KIT, M23B, REC., RA, 9POS(4+5), FLANGE MOUNT, CHECKMATE
 DWG NO.: MB5RJN0902-KIT
 REV: A1
 SH: 1
 OF: 1