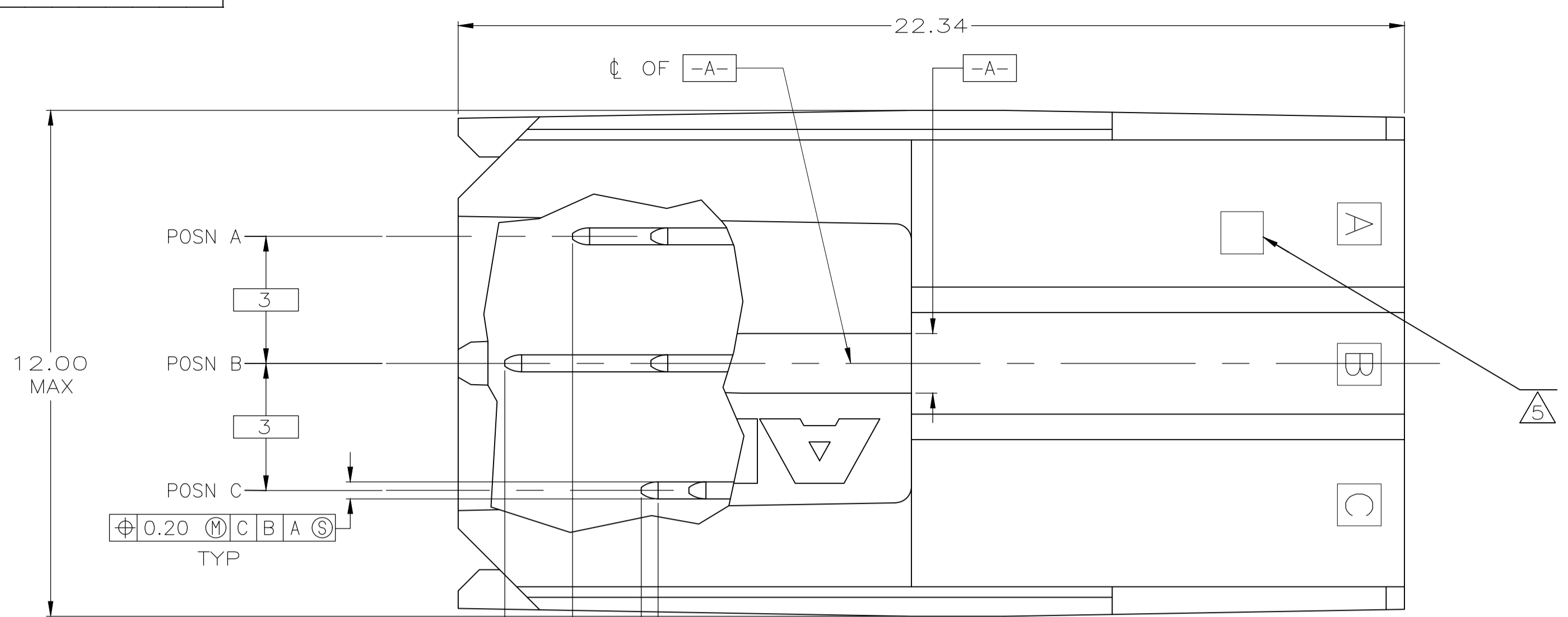
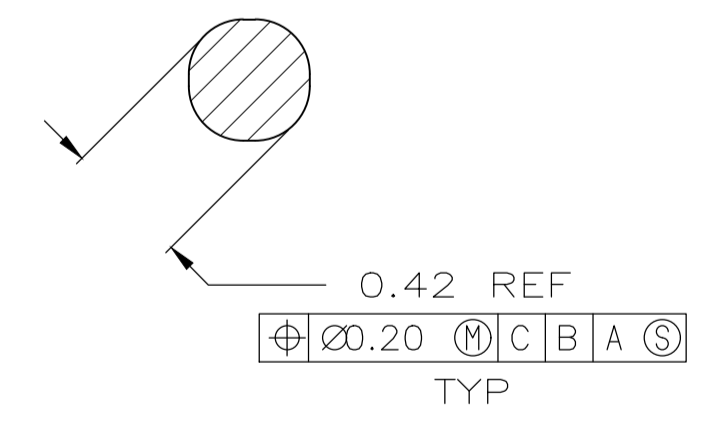
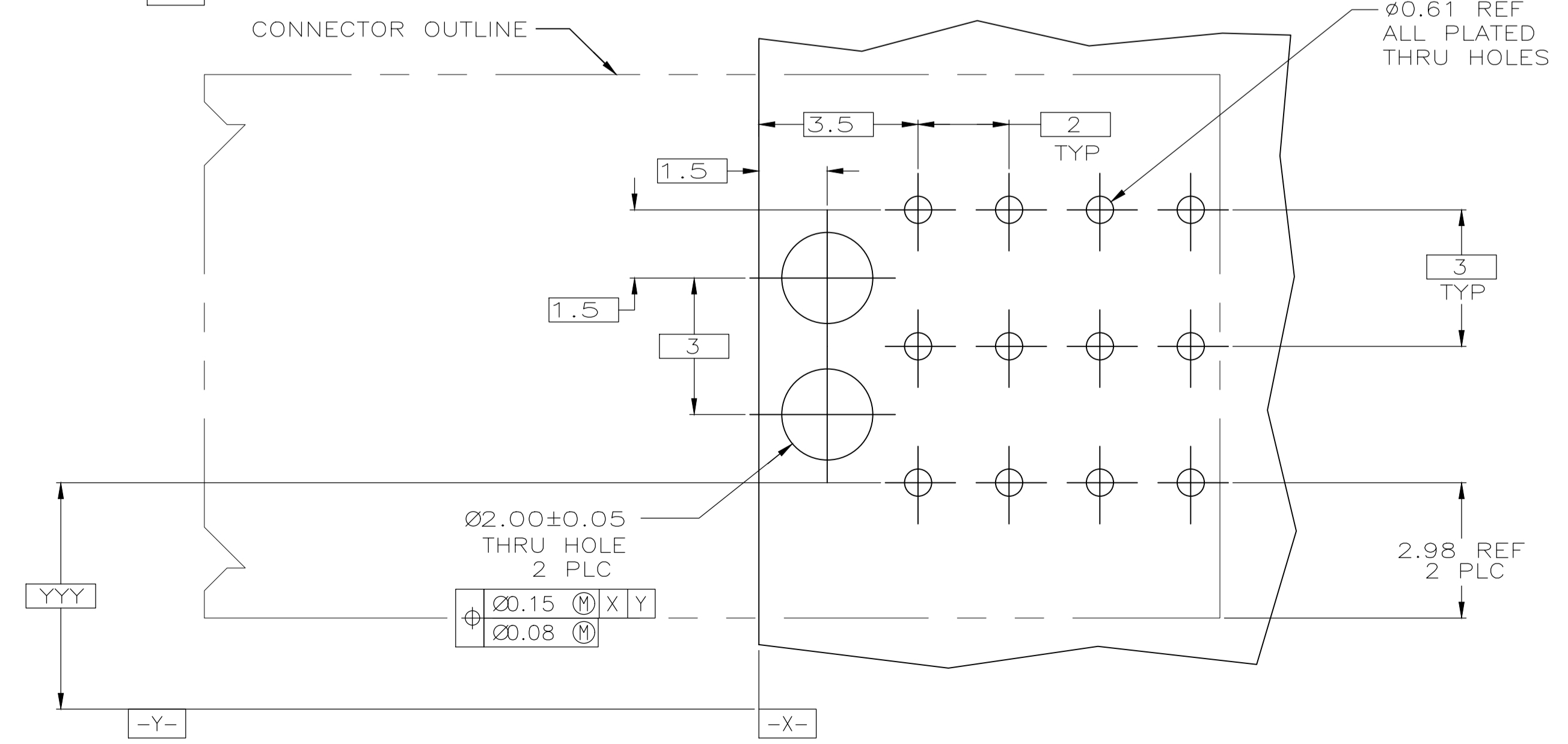
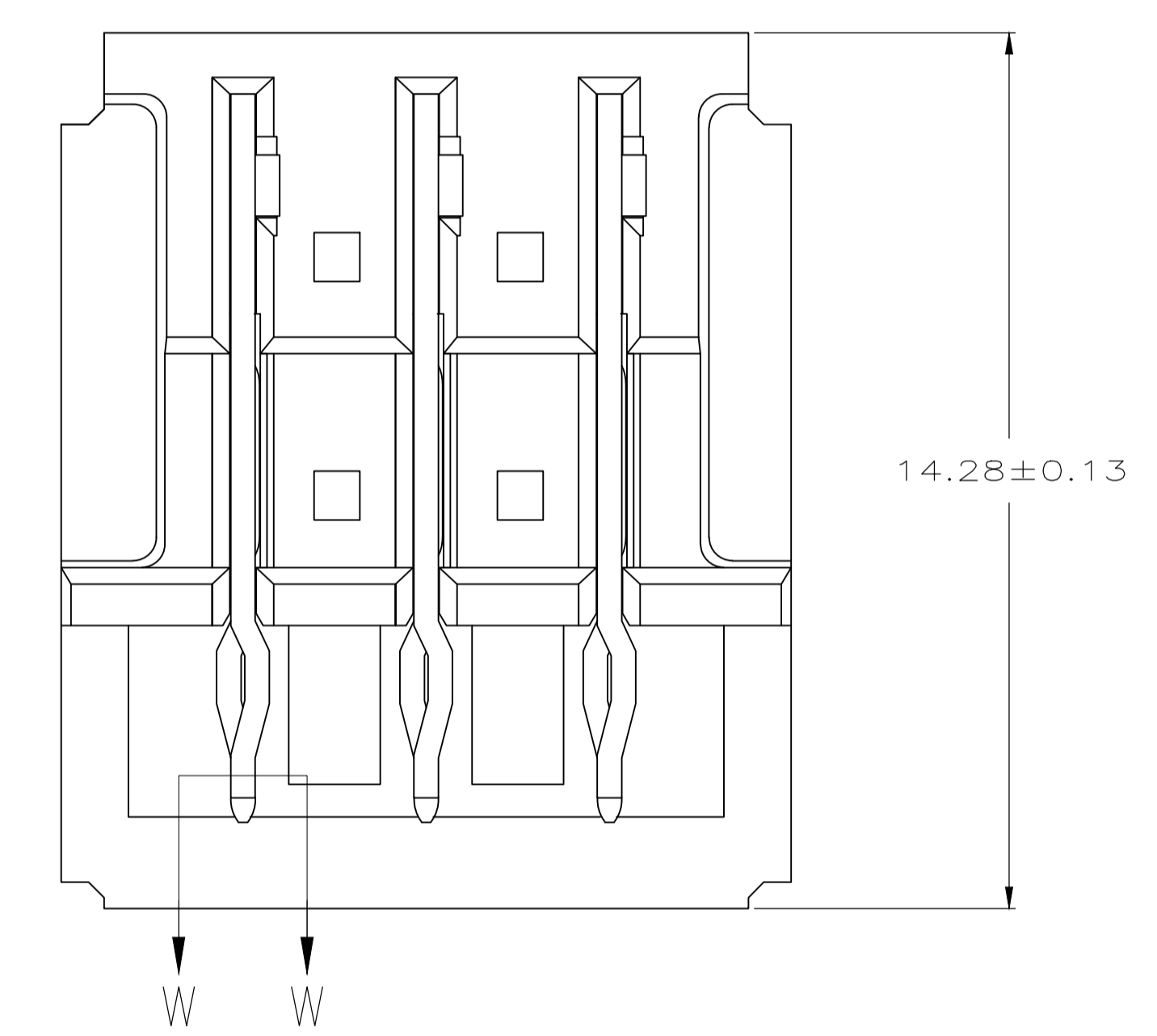
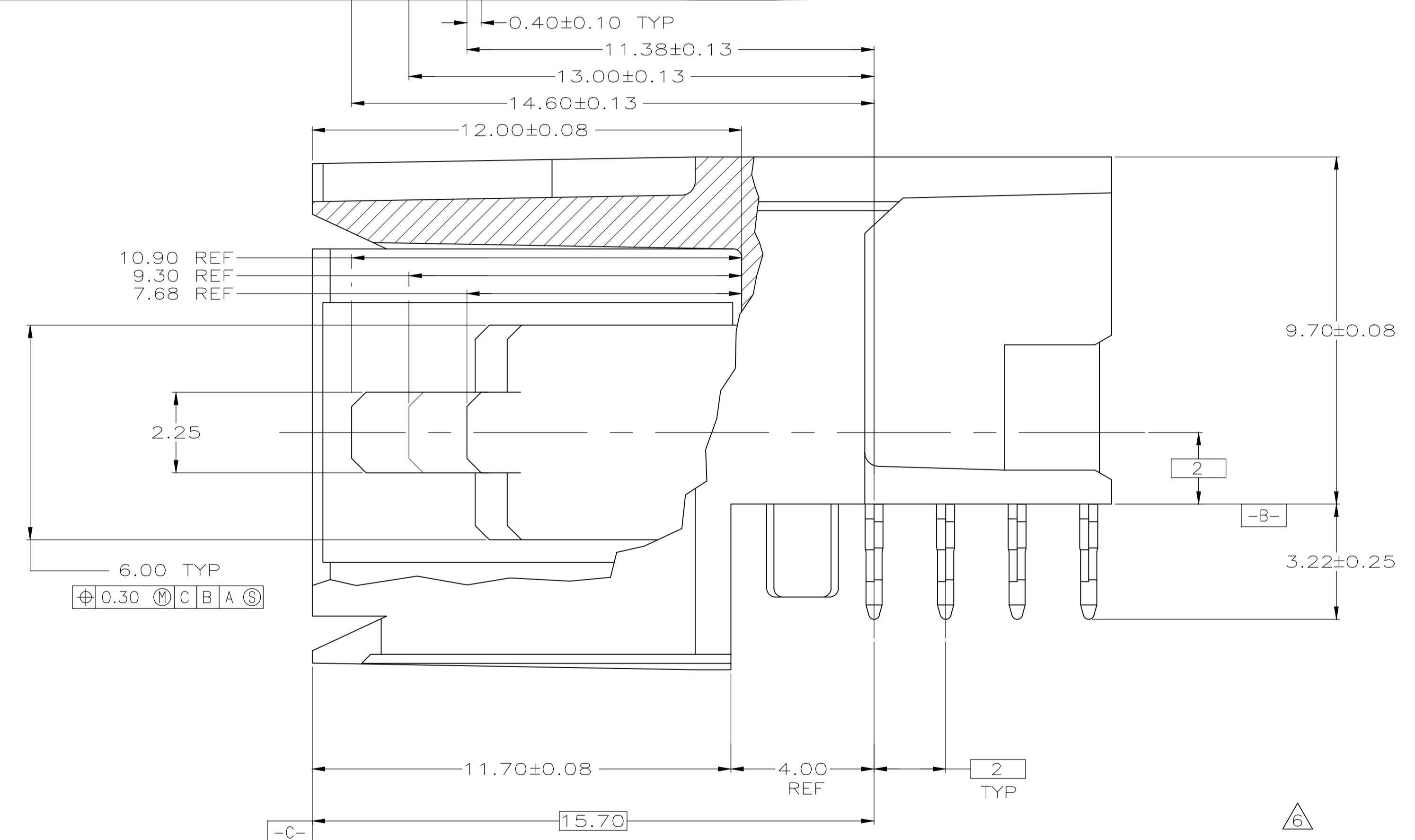
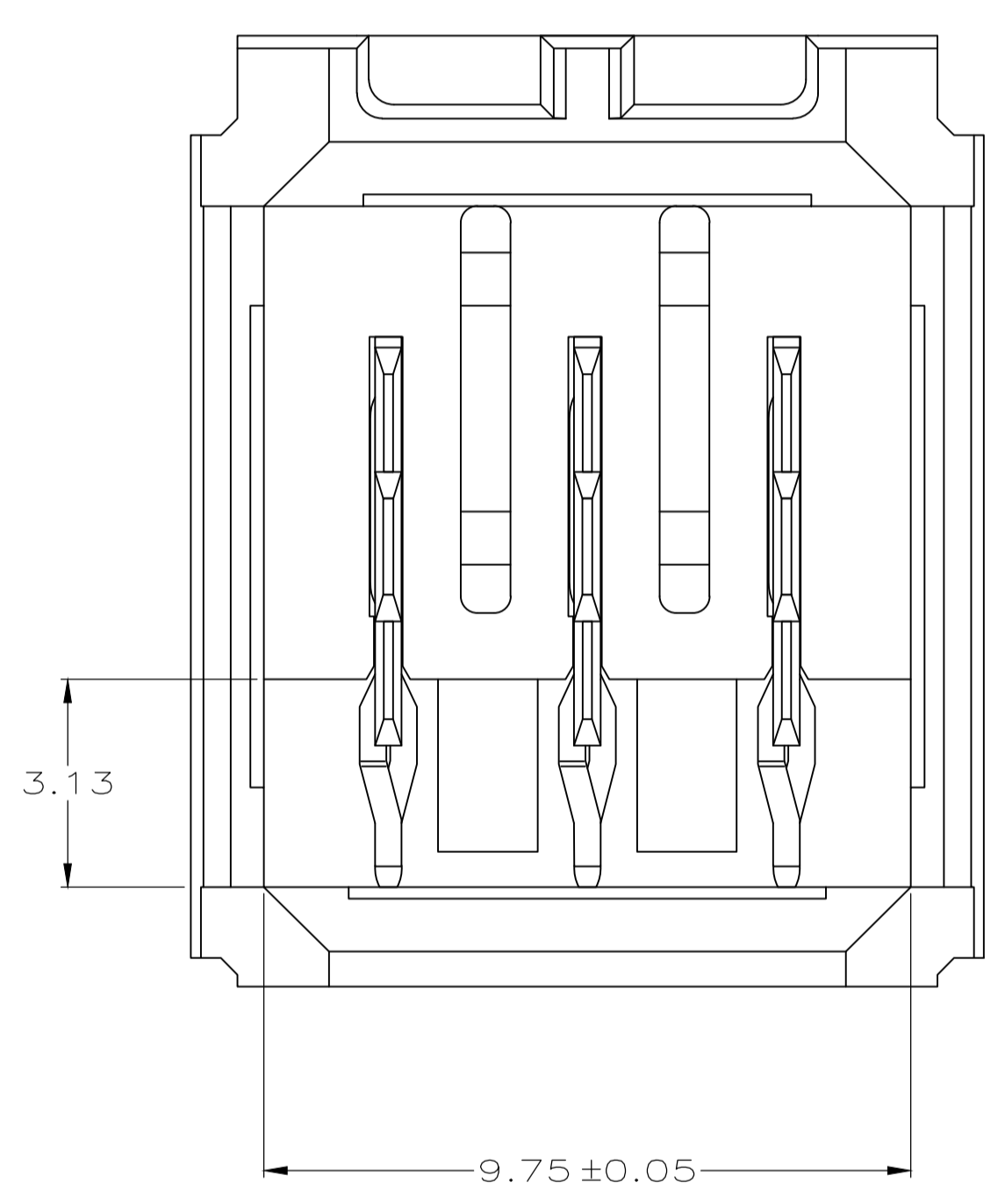


LOC		DIST		REVISIONS			
P	LTR	DATE	DN	APVD			
B1	REV PER ECO-20-004668	08JUN2020	ML	SZ			



- 1 MATERIAL: HOUSING: POLYESTER, COLOR: GRAY. UL 94V-0. CONTACT: PHOSPHOR BRONZE.
- 2 FINISH: IN ACCORDANCE WITH PRODUCT SPECIFICATION 108-1651, GOLD PLATING OR EQUIVALENT PLATING ON PRODUCT CONTACT MATING AREA, AND MATTE TIN PLATING ON COMPLIANT PIN AREA, ALL OVER MATTE NICKEL UNDERPLATED. DETAIL PLEASE REFER TO PRODUCT SPECIFICATION 108-1651.
- 3 FINISH: CONTACT LUBRICATION WITH BELLCORE APPROVED LUBRICANT. TECHNICAL REFERENCE: TR-NWT-001217 ISSUE 1, SEPT 1992.
- 4 MATERIAL: HOUSING: LCP; COLOR, RED. UL 94V-0. CONTACT: PHOSPHOR BRONZE.
- 5 NUMBER "1" MARKED IN THIS AREA.
- 6 REFERENCE APPLICATION SPEC 114-1103 FOR RECOMMENDED PLATED THRU HOLE DIAMETER AND PLATING THICKNESS.
- 7 CURRENT RATING 10A/CONTACT PER PRODUCT SPEC 108-1651.



SECTION W-W  
SCALE 40:1

1 2 3 4 5	5223964-6
1 2 3	5223964-1
FINISH	PART NUMBER

THIS DRAWING IS A CONTROLLED DOCUMENT.		DIN: B CARBO 10DEC04	Tyco Electronics Corporation Harrisburg, PA 17105-3608	
DIMENSIONS: mm		CHK: R PATTERSON 10DEC04	NAME: R PATTERSON 10DEC04	
TOLERANCES UNLESS OTHERWISE SPECIFIED:		PRODUCT SPEC: 108-1651		
0 PLC ± -		APPLICATION SPEC: 114-1103		
1 PLC ± ±		SIZE: A1		
2 PLC ± ± 0.13		CAGE CODE: 00779		
3 PLC ± ±		DRAWING NO: 5223964		
4 PLC ± ±		RESTRICTED TO: -		
ANGLES ± ±		CUSTOMER DRAWING		
MATERIAL: 1-4		SCALE: 10:1		
FINISH: 2-3		SHEET: 1 of 1		
		REV: B1		

RECOMMENDED PCB HOLE LAYOUT