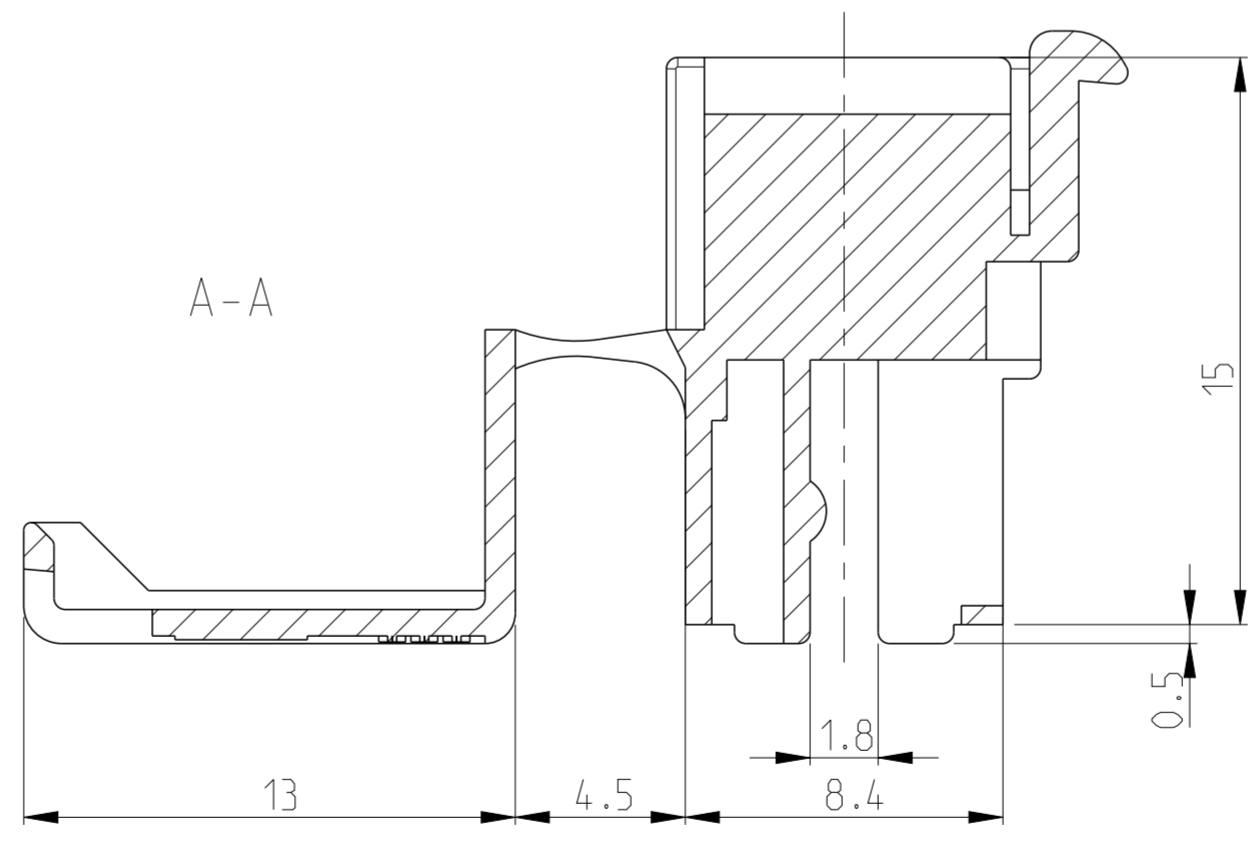
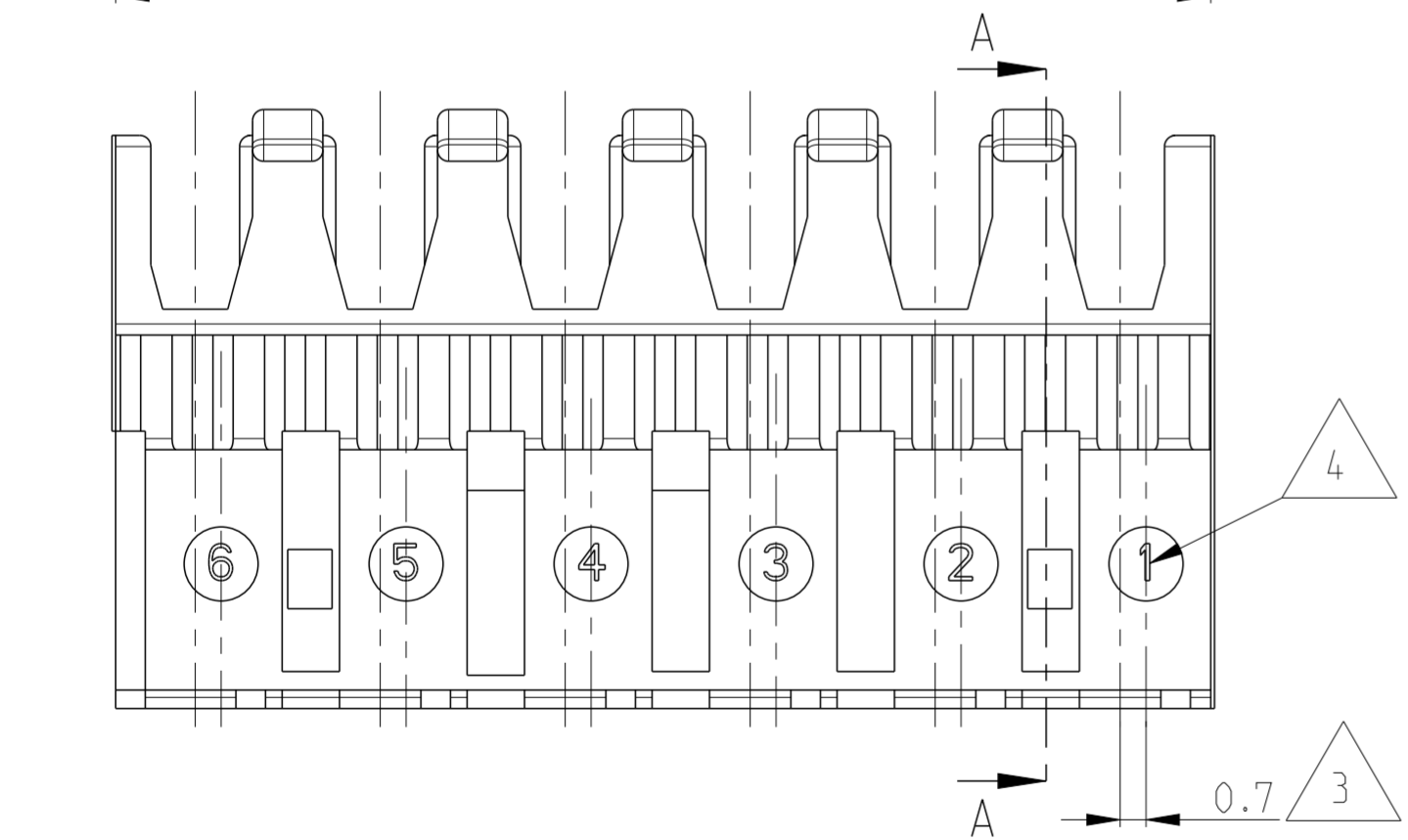
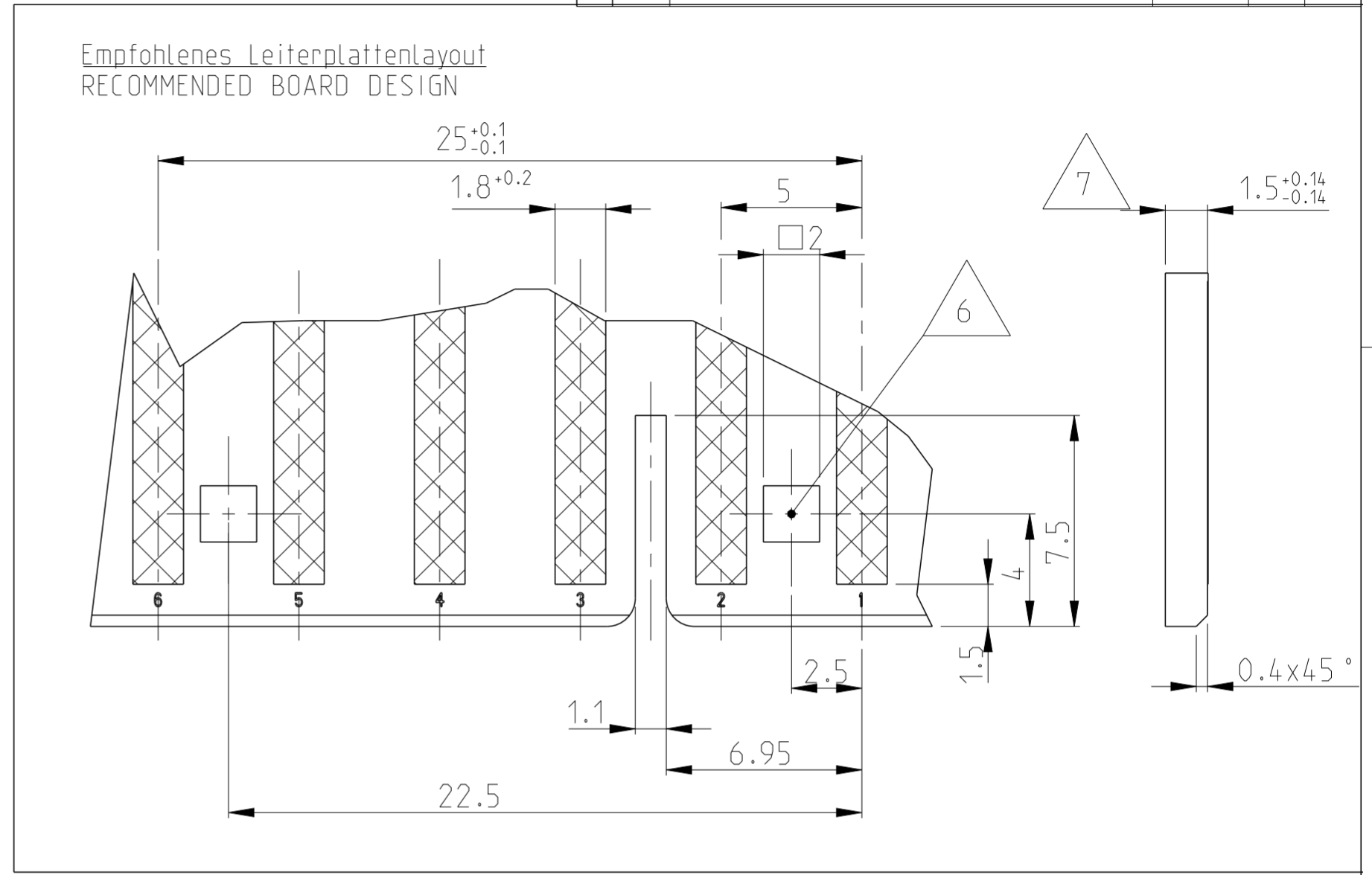
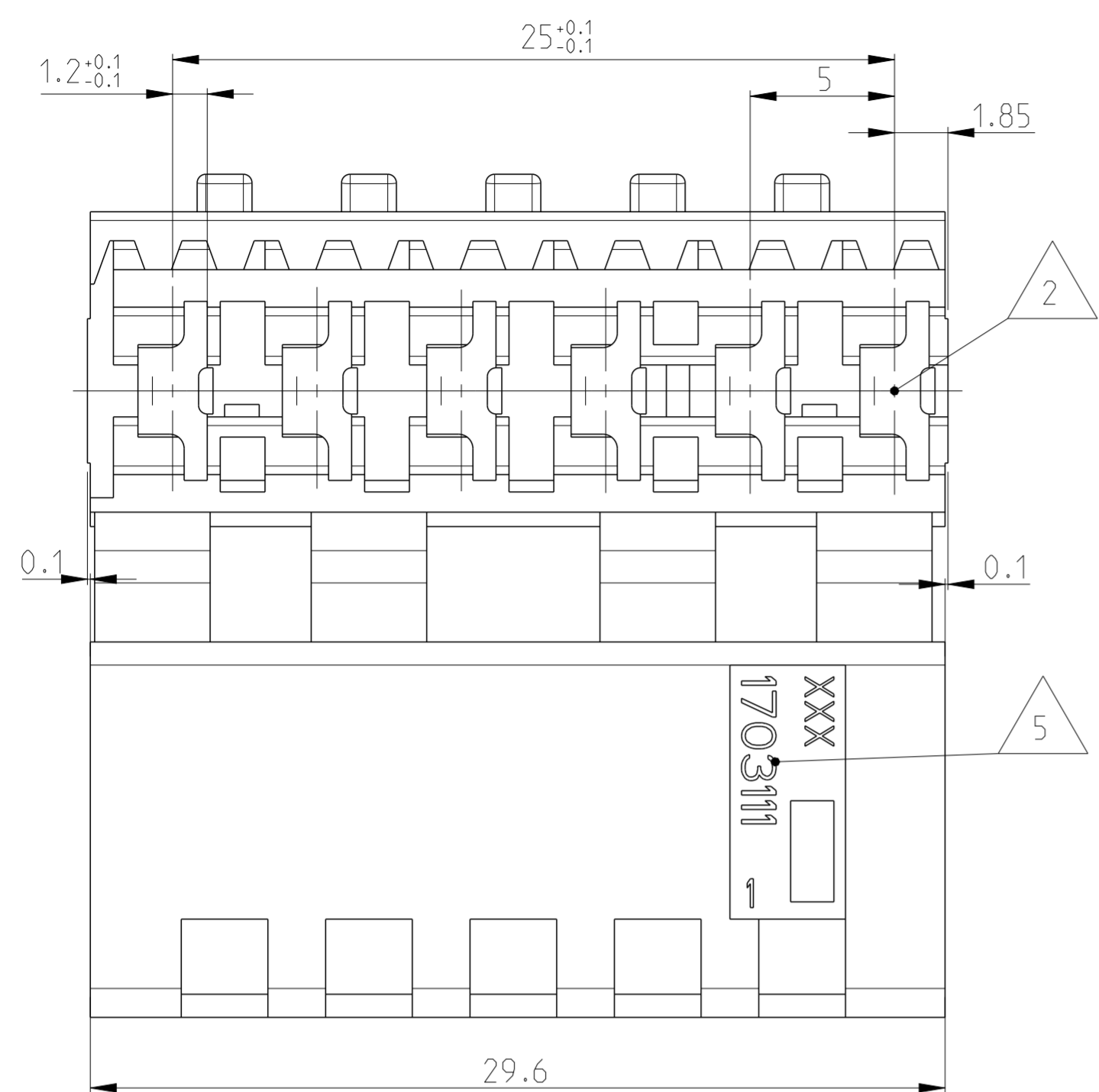


THIS DRAWING IS UNPUBLISHED. RELEASED FOR PUBLICATION 2003
 © COPYRIGHT 2003 ALL RIGHTS RESERVED.

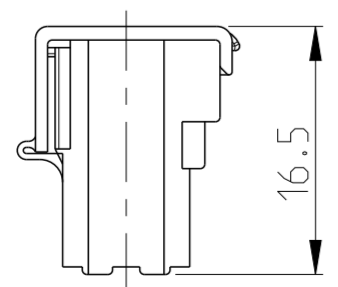
LOC	DIST	REVISIONS					
		P	LTR	DESCRIPTION	DATE	DWN	APVD
A1	-	B2		REVISED PER ECR-16-012572	04OCT2016	BW	RS



Bemerkungen
NOTES

- 1 Massgebend ist der deutsche Text
ONLY THE GERMAN-LANGUAGE VERSION SHALL BE BINDING
- 2 Lage des Kontaktpunktes auf der Leiterplatte; Abweichung ±0.4
POSITION OF CONTACT POINT ON BOARD; DEVIATION ±0.4
- 3 Kontaktierung zur Drahtmitte um 0.7mm versetzt
CONTACTING 0.7mm DISPLACED TO WIRE CENTRELINE
- 4 Kontaktkammer-Nr.
CONTACT CAVITY #
- 5 Firmenlogo und Leergehäuse-Nr.
ARTWORK LOGO AND HOUSING # (NON LOADED)
- 6 Vierkantloch 2x2 mm wahlweise Rastloch Ø2.5 mm
SQUARE HOLE 2x2 mm OPTIONAL LOCKING HOLE Ø2.5 mm
- 7 Ausführung nach DIN 60249-2-4
BOARD DESIGN ACCORDING TO DIN 60249-2-4
- 8 Crimp Kontakt-Nr.
Material: CuSn4
CRIMP CONTACT # MATERIAL: CuSn4
926770-1; 926917-1

Schematische Darstellung des MT-Edge Gehäuses mit geschlossenem Deckel
 SCHEMATIC DESCRIPTION OF MT-EDGE HOUSING WITH CLOSED LID



2:1

OBSOLETE	1703111-2	MT-EDGE HOUSING	GREY
	1703111-1	MT-EDGE HOUSING	NATURE
PART-NO.:	DESCRIPTION	COLOUR	

THIS DRAWING IS A CONTROLLED DOCUMENT.		DWN MAHNKE, B. 27SEP2004	TE Connectivity	
DIMENSIONS: mm		CHK STREDAK, F. 20DEC2004		
TOLERANCES UNLESS OTHERWISE SPECIFIED:		APVD BLEICHER, M. 21DEC2004	NAME	
0 PLC ±	±0.2mm	PRODUCT SPEC	6 POS. MT-EDGE HOUSING RAST 5mm	
1 PLC ±	±	APPLICATION SPEC	-	
2 PLC ±	±	108-18003	SIZE	CAGE CODE
3 PLC ±	±	114-18002	DRAWING NO	
4 PLC ±	±°	WEIGHT 2.922 g	RESTRICTED TO	
ANGLES	±°	CUSTOMER DRAWING	-	
FINISH		SCALE 5:1	SHEET 1 OF 1	
MATERIAL PA6.6 / UL94V-2			REV B2	