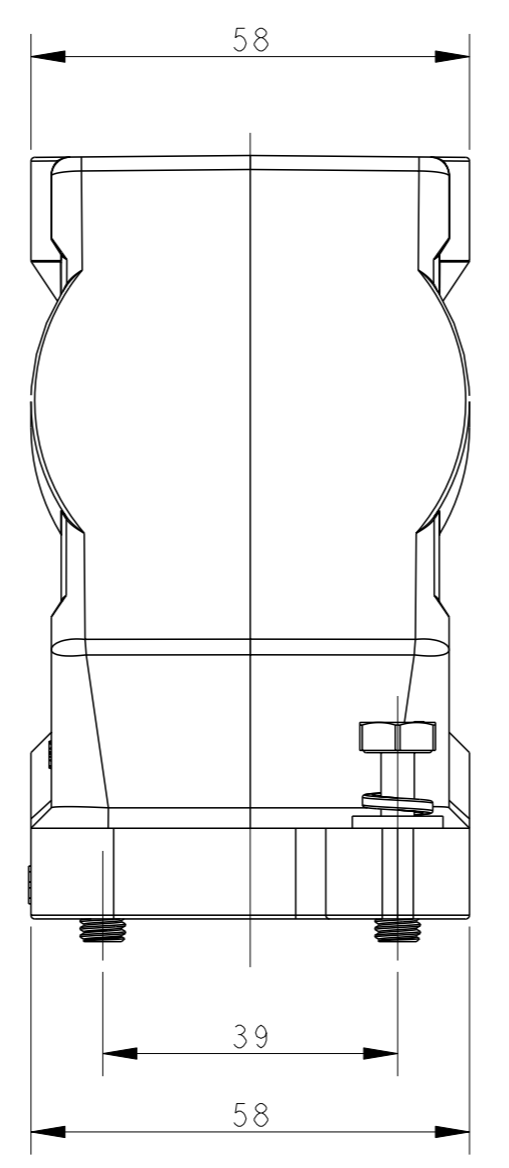
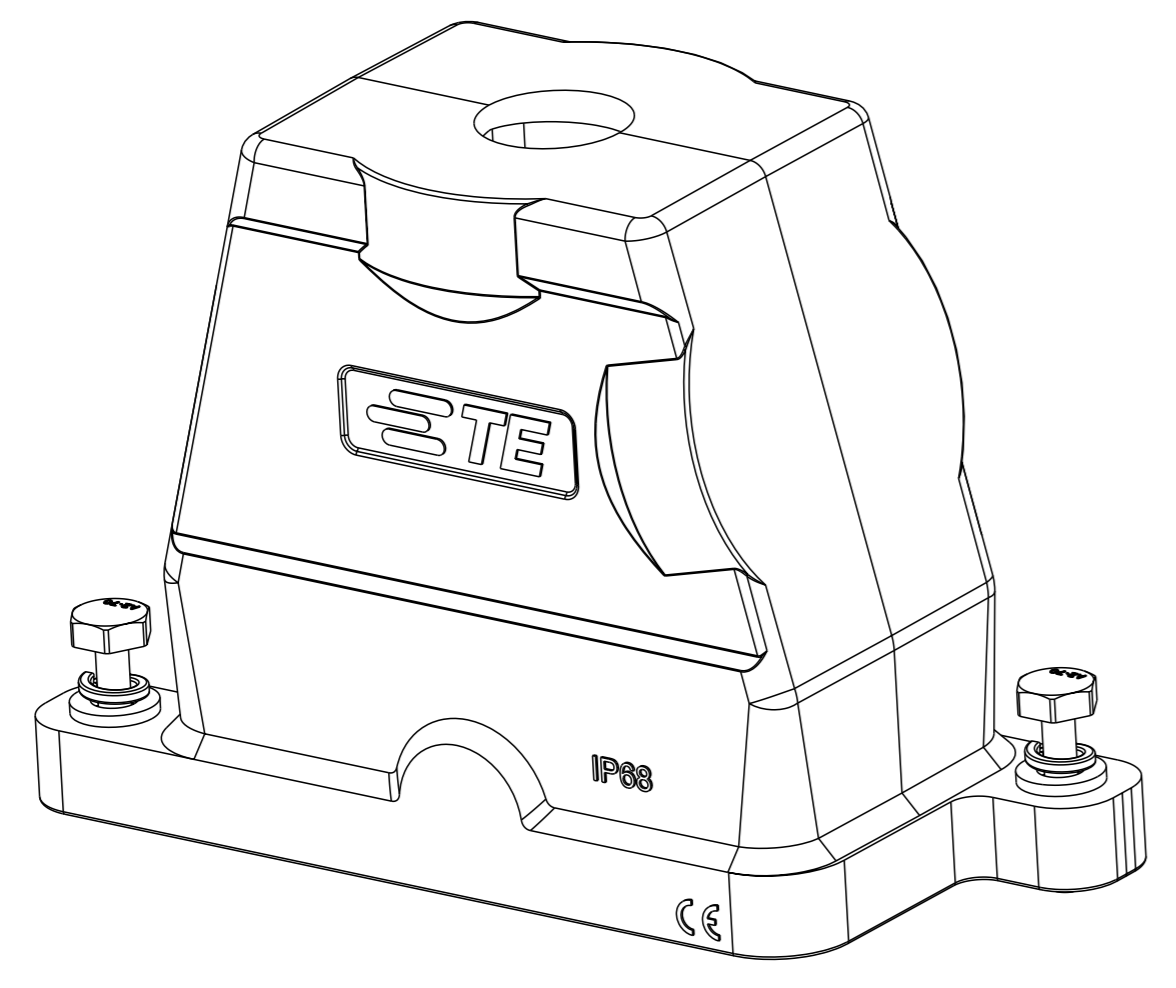
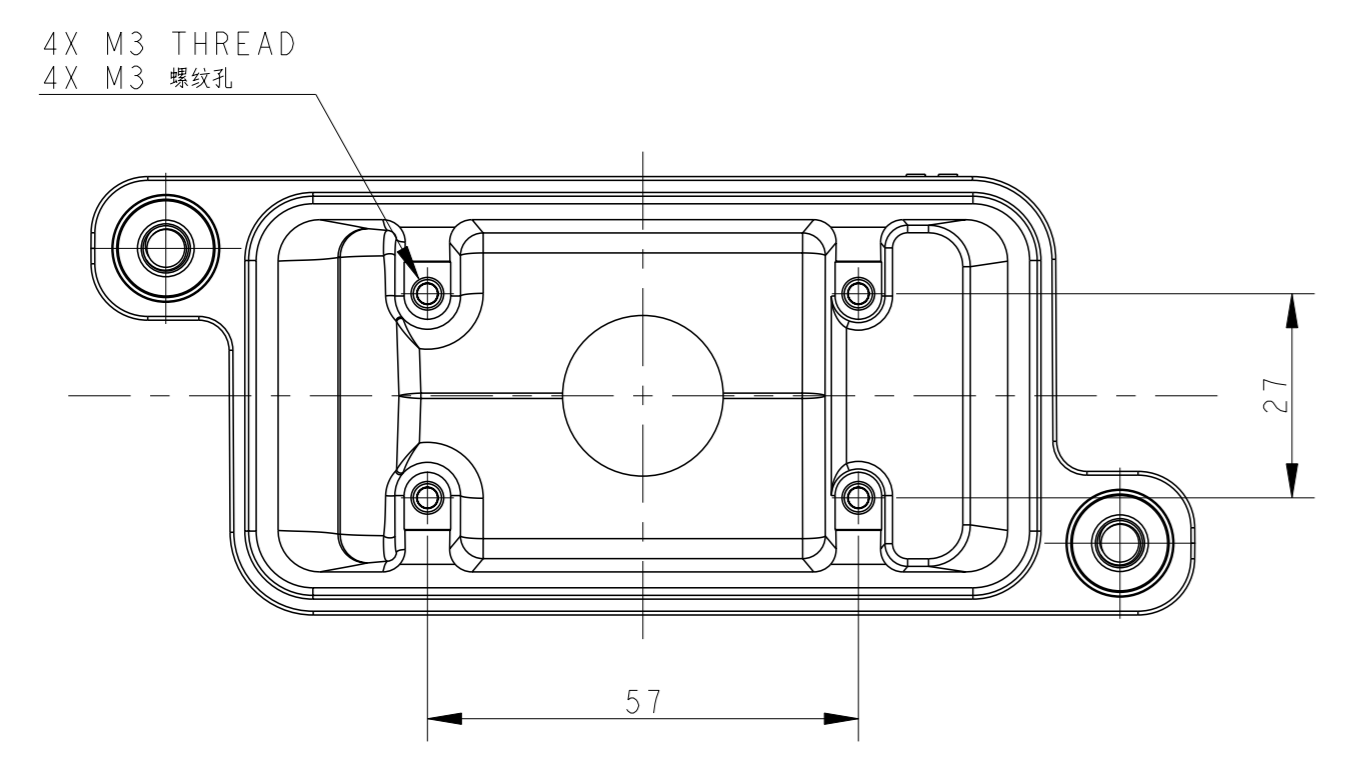
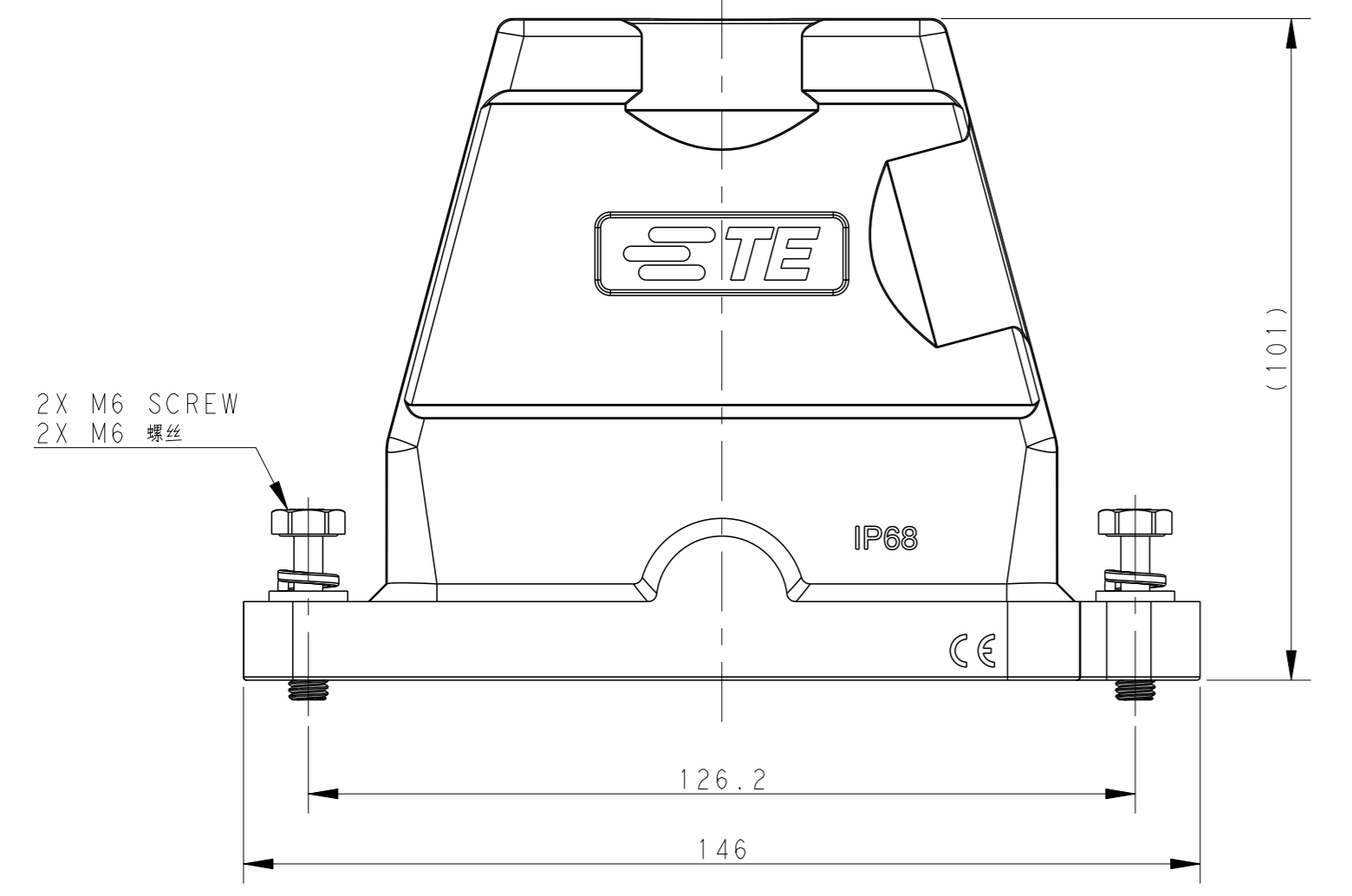
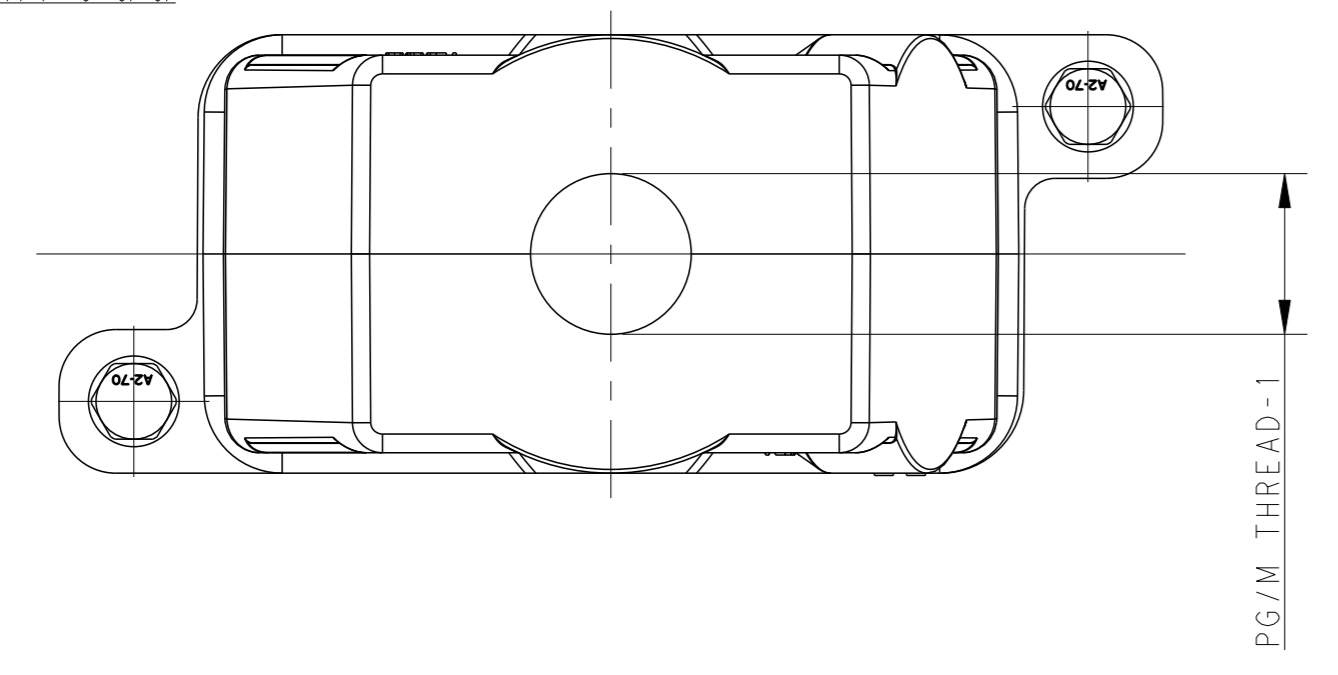


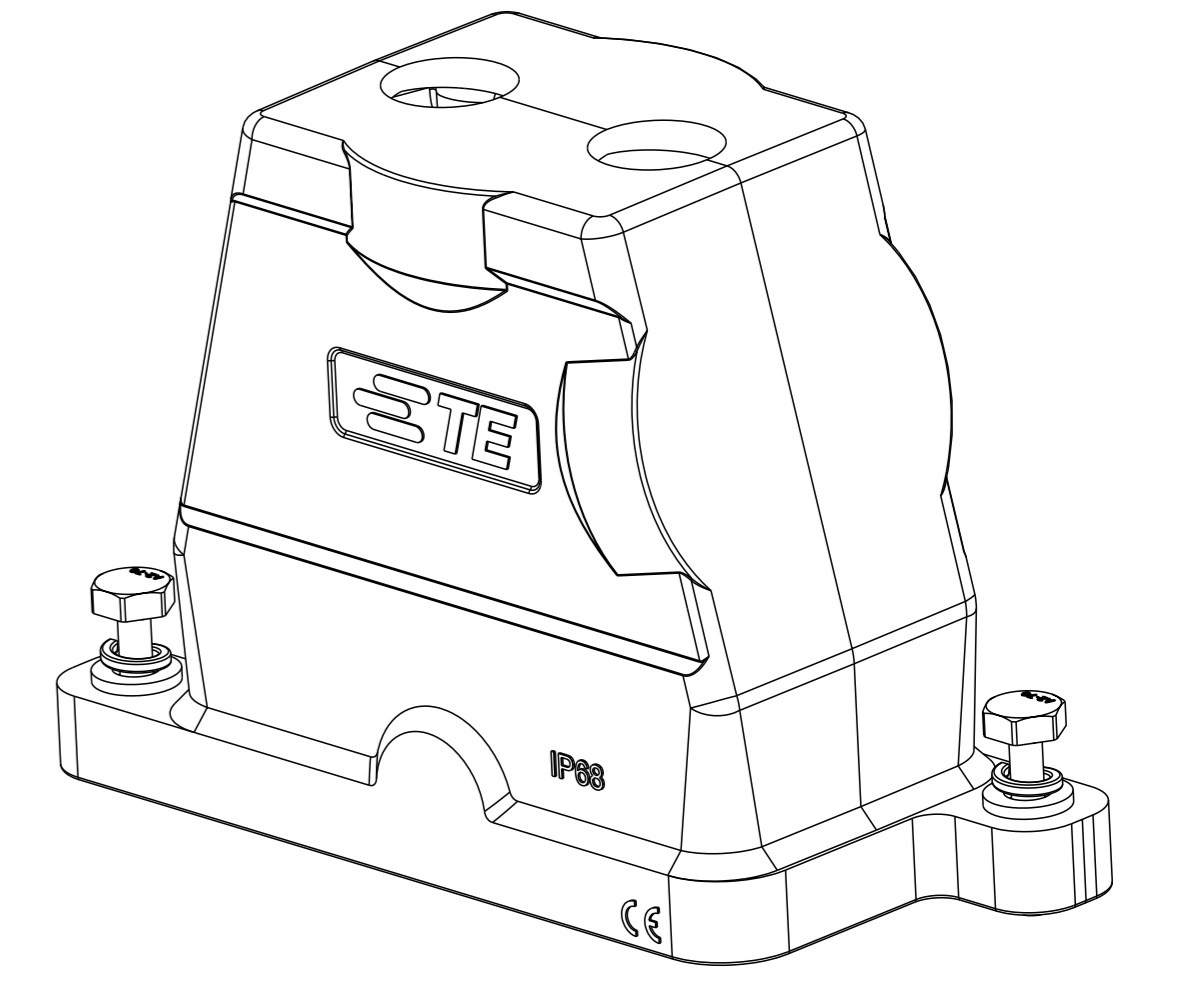
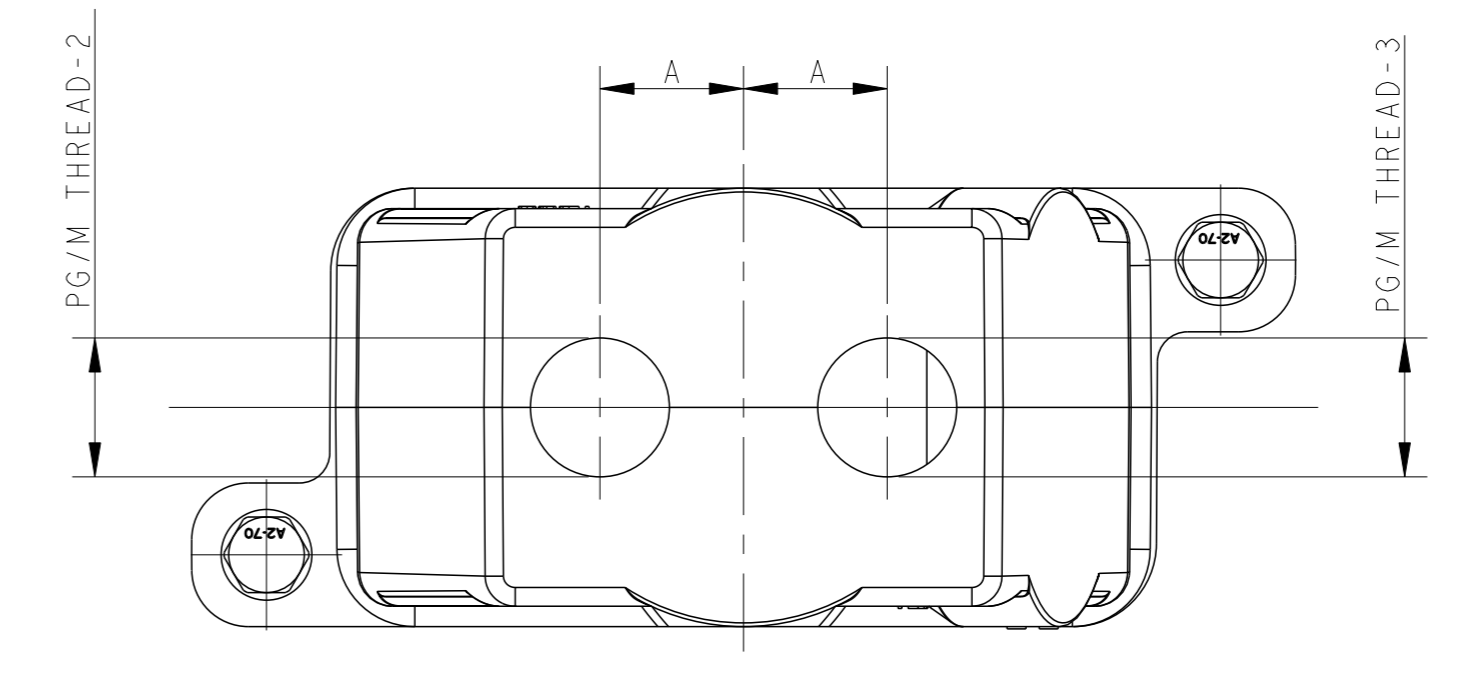
TYPE 1 : 类型 1

Single PG/M thread
 单个螺纹孔



TYPE 2 : 类型 2

Two PG/M threads
 双螺纹孔



All dimension is same as TYPE 1, except those defined in this TYPE
 除了此类型中定义的尺寸外, 其余尺寸参考类型 1

REVISIONS				
#	LY#	DESCRIPTION	DATE	OWN APVD
A		INITIAL RELEASE	20SEP2016	DW CW
A1		ECR-18-017251	08NOV2018	CD CW
B		ECR-20-016312	03JUN2021	BS CW

NOTES:
 1. TECHNICAL CHARACTERISTICS:
 HOOD MATERIAL: DIE CAST ALUMINIUM ALLOY
 SURFACE: SEE TABLE
 DEGREE OF PROTECTION: IP68 (MATED)

注释:
 1. 技术参数:
 壳体材料: 铝合金
 表面处理: 见表格
 防护等级: IP68 (配合)

THIS DRAWING IS A CONTROLLED DOCUMENT.		OWN: DAVID WANG	20SEP2016	TE Connectivity
DIMENSIONS:		CHK: CHRIS WANG	20SEP2016	
mm	TOLERANCES UNLESS OTHERWISE SPECIFIED:	APVD: XIANG XU	20SEP2016	NAME: H10BPR-TGH-PG/M-EMC-C
0 PLC	±	PRODUCT SPEC		SIZE: A1
1 PLC	±	108-137191		CAGE CODE: -
2 PLC	±	APPLICATION SPEC		DRAWING NO: C-T192010XXXXX09
3 PLC	±	114-137191		RESTRICTED TO: -
4 PLC	±	WEIGHT: -		SCALE: 1:1
ANGLES	±	Customer Drawing		SHEET 1 OF 2
FINISH	±			REV B

