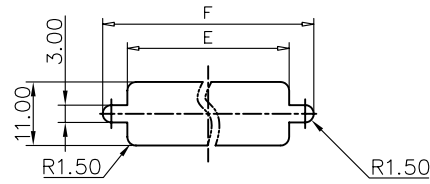
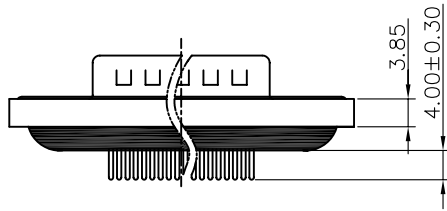
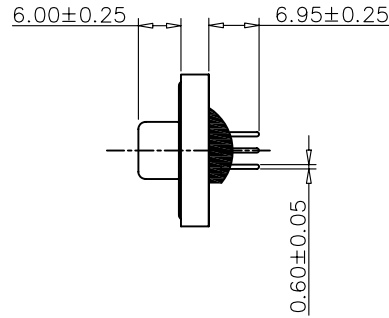
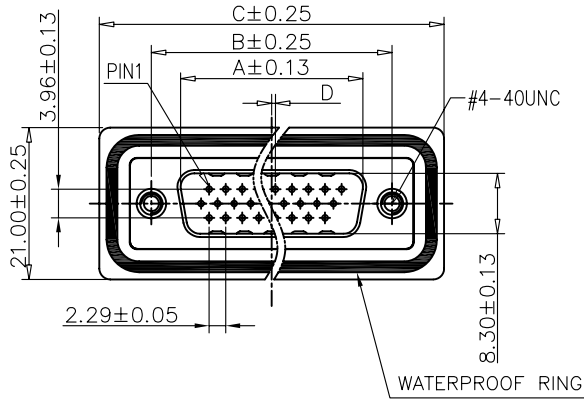
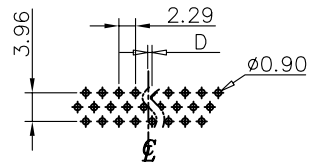


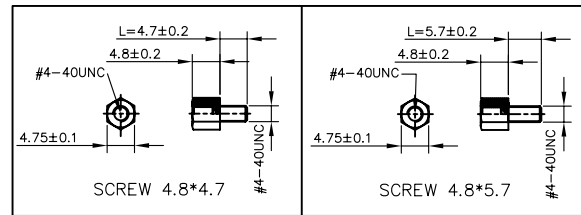
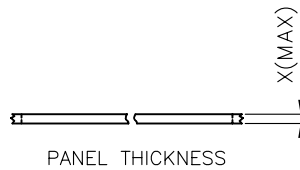
This document is the property of Amphenol Corporation and is delivered on the express condition that it is not to be disclosed, reproduced or used, in whole or in part, for manufacture or sale by anyone other than Amphenol Corporation without its prior consent, & that no right is granted to disclose or to use any information in this document.



RECOMMENDED PANEL CUT-OUT



RECOMMENDED P.C.B. LAYOUT
GENERAL TOLERANCE: ±0.05mm



Customer drawing

POSITION	A	B	C	D	E	F
15	16.92	24.99	39.40	0.25	20.00	28.20
26	25.30	33.32	47.70	0.51	28.00	36.50
44	38.96	47.04	64.50	0.51	41.50	51.00
62	55.42	63.50	80.78	0.51	57.80	67.30

REVISIONS				
SYM	ECN	DESCRIPTION	DATE	APPROVED
1		New release	06/22/10	IP

D-SUB TECHNICAL DATA

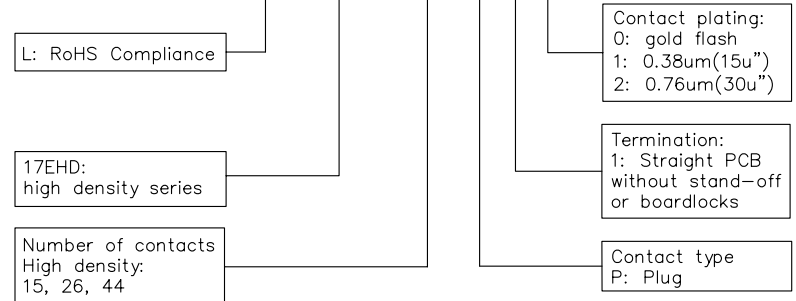
SHELL : Steel ,1.25um(50u") min nickel
 BODY : Glass filled thermoplastic.
 Flame retardant to UL94 V-0 Color ,Black
 CONTACTS : Brass,Gold over 50u" min nickel.(According to the P/N)
 SCREWLOCK : Steel, 50u" min nickel
 REAR INSERT : Brass, 50u" min nickel
 O RING: Silicone, Color: Blue
 EPOXY: Color: Black
 ELECTRICAL : Voltage rating : 300 V RMS at 50 Hz
 Current rating : 5A
 Insulation resistance >5000 M Ohms
 Contact resistance 20mOhms max.
 MARKING : Amphenol logo
 Manufacturing date(YYYW)



NOTE : Screw L=4.7 For Panel Thickness Under X=1.2mm
 Screw L=5.7 For Panel Thickness Between X=1.2~2.0mm

PRODUCT CODE

L 17EHD XX P 1 X



UNLESS OTHERWISE SPECIFIED TOLERANCES	APPROVAL	DATE
U.S. METRIC	DRAWN <i>Liamon Ho</i>	06/22/10
.X +/- 0.50	CHECKED <i>Lik Wang</i>	06/22/10
.XX +/- 0.30	CHECKED	
.XXX +/- 0.20		
FRACTIONS +/- 2'		
ANGLES +/-		
FOR MATERIALS AND FINISHES SEE NOTES	DRAWING FILE :	
REMOVE SHARP EDGES	ANGLE OF PROJECTION	
DIMENSIONS		
U.S. INCHES		
METRIC MM		

Amphenol

Amphenol East Asia Limited

TITLE	SIZE	DRAWING NO.	REV.
D-sub Waterproof, EHD series male Straight PCB without stand-off or boardlocks type	A4	C L17EHDXXP1X	1
SCALE	NONE	SHEET	1 OF 1