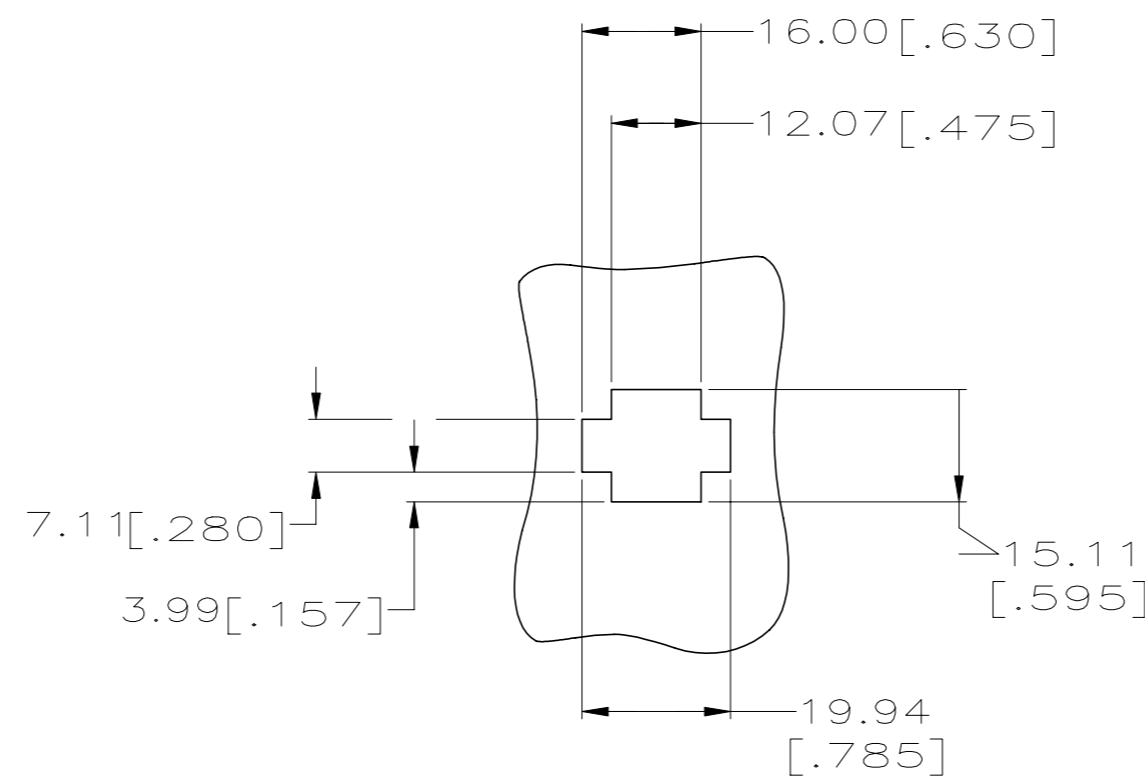
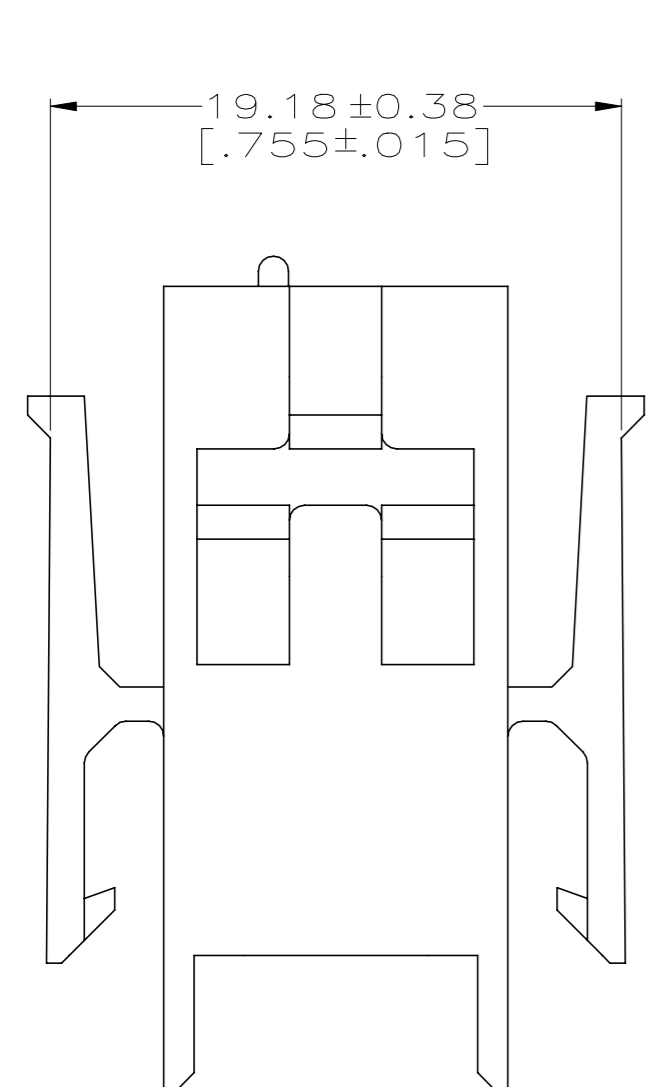
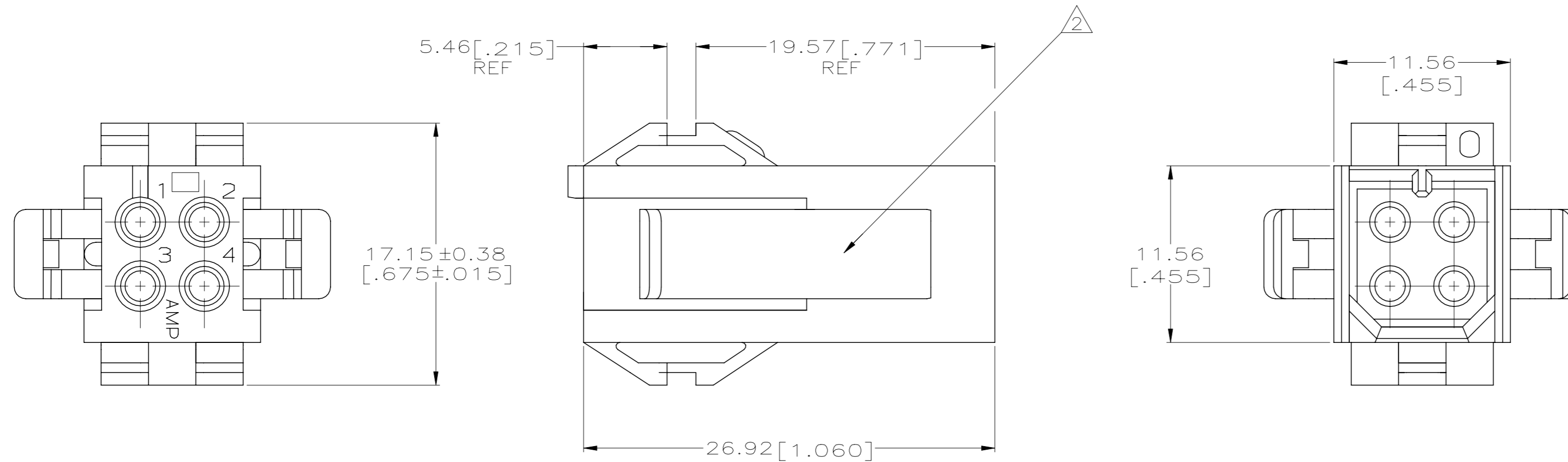
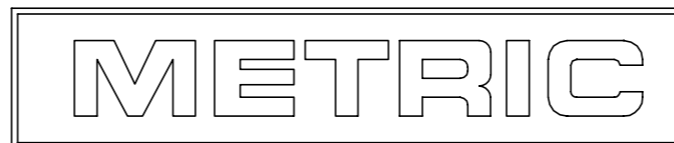


REVISIONS					
P	LTR	DESCRIPTION	DATE	DWN	APVD
	G	REV PER ECO-21-006873	11AUG2021	RK	MZ

- 1. MATES WITH HOUSING 640519.
- 2. UL LOGO AND CSA LOGO TO APPEAR ON EITHER LATCH SURFACE PER AMP SPEC 202-20, I.D. NO. 1-18838-3 AND 1-18839-3. FROST BACKGROUND OPTIONAL.
- 3. DIMENSIONS IN BRACKETS ARE IN INCHES.
- 4. HOUSING MATERIAL: PA66, BLACK, UL 94 V-0 RATED



RECOMMENDED CUT OUT
FOR 1.73 [.068] MAX THICK PANEL
SCALE 1:1



1-640509-0
PART NUMBER

THIS DRAWING IS A CONTROLLED DOCUMENT.		DWN R. VESTAL 7-12-96	TE Connectivity	
DIMENSIONS: mm [INCHES]		CHK R. SWING 7-12-96		
TOLERANCES UNLESS OTHERWISE SPECIFIED:		APVD A. BEDDICK 7-12-96	NAME HOUSING, CAP MR11 4 POSITION	
0 PLC ± -		PRODUCT SPEC	SIZE	CAGE CODE
1 PLC ± -		APPLICATION SPEC	A2	00779
2 PLC ± 0.13 [.005]		WEIGHT	DRAWING NO C=640509	
3 PLC ± -		FINISH	RESTRICTED TO	
4 PLC ± -		ANGLES ± θ° 30'	SCALE 4:1	
MATERIAL		CUSTOMER DRAWING		SHEET 1 of 1
4		REV G		