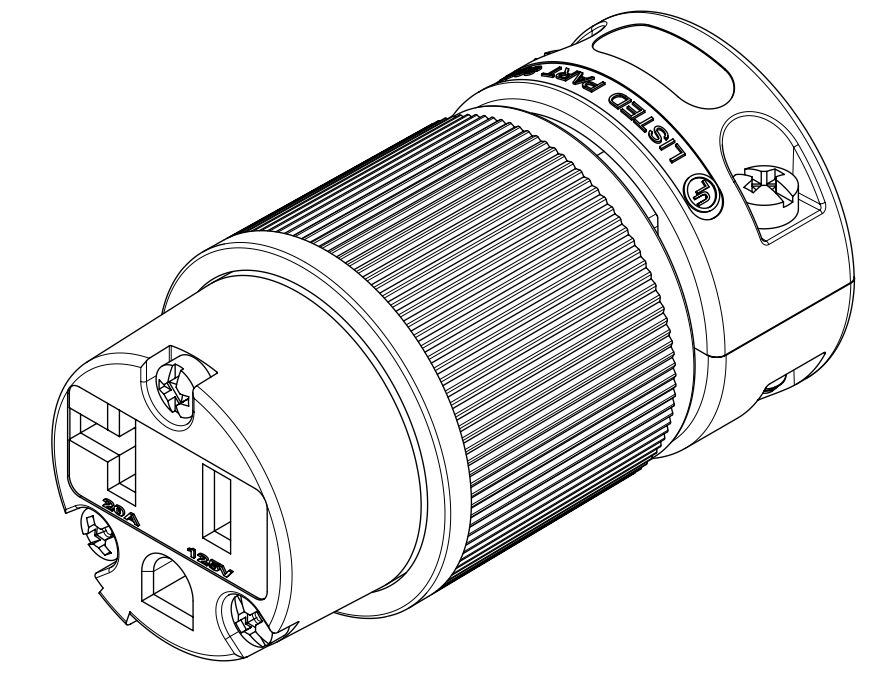
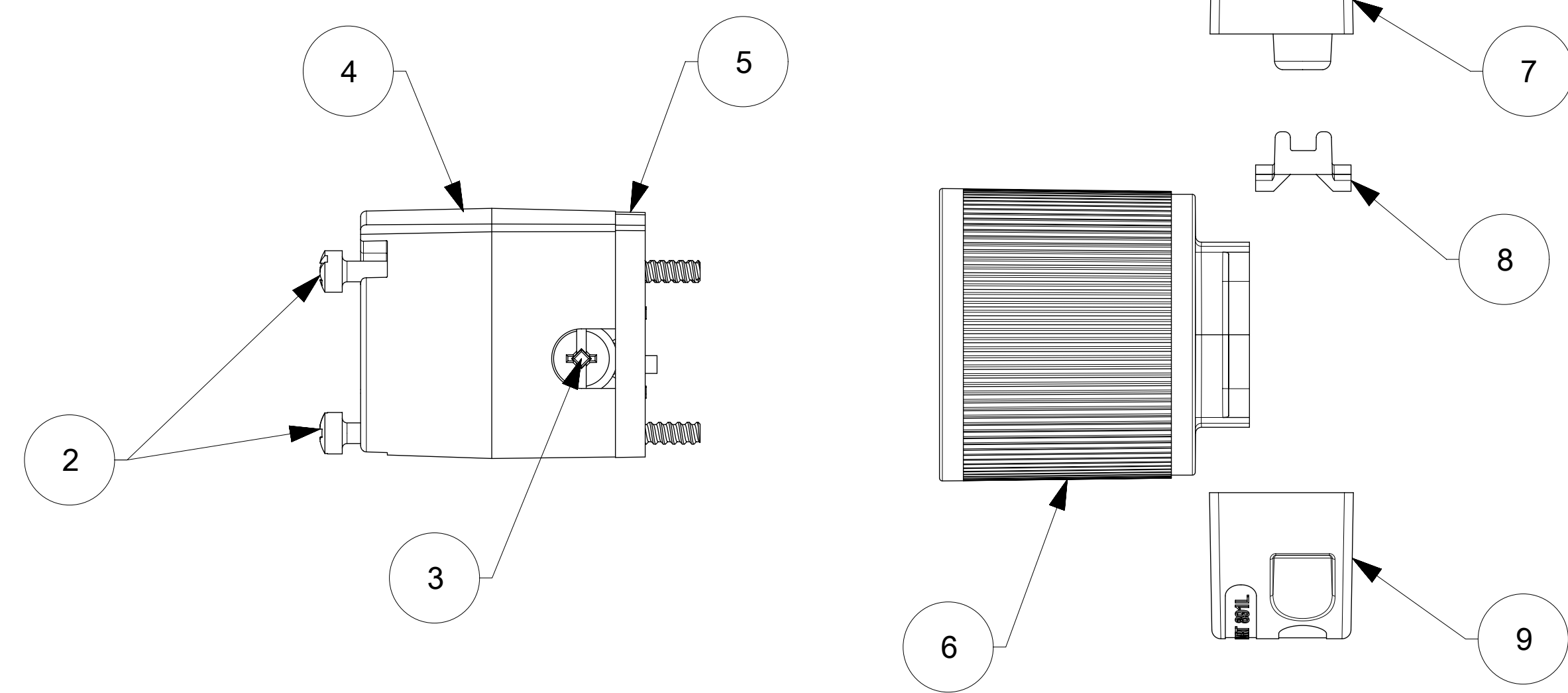
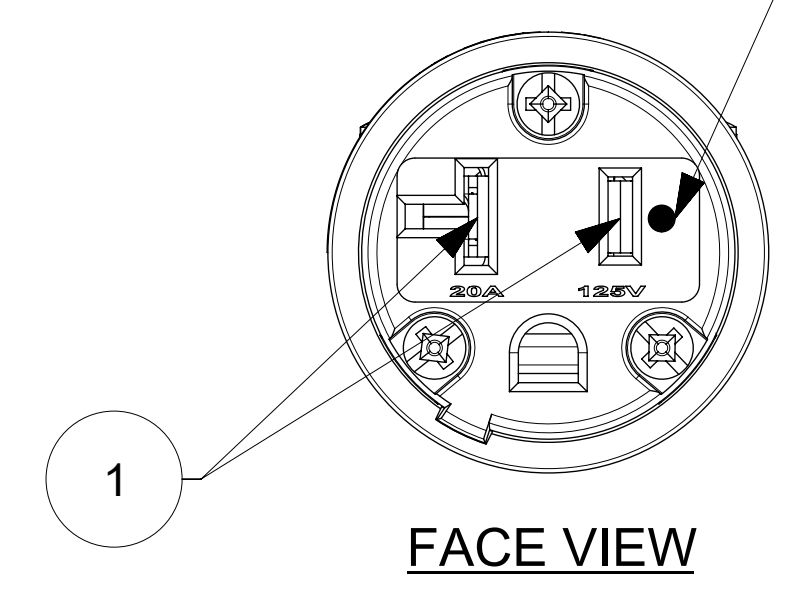


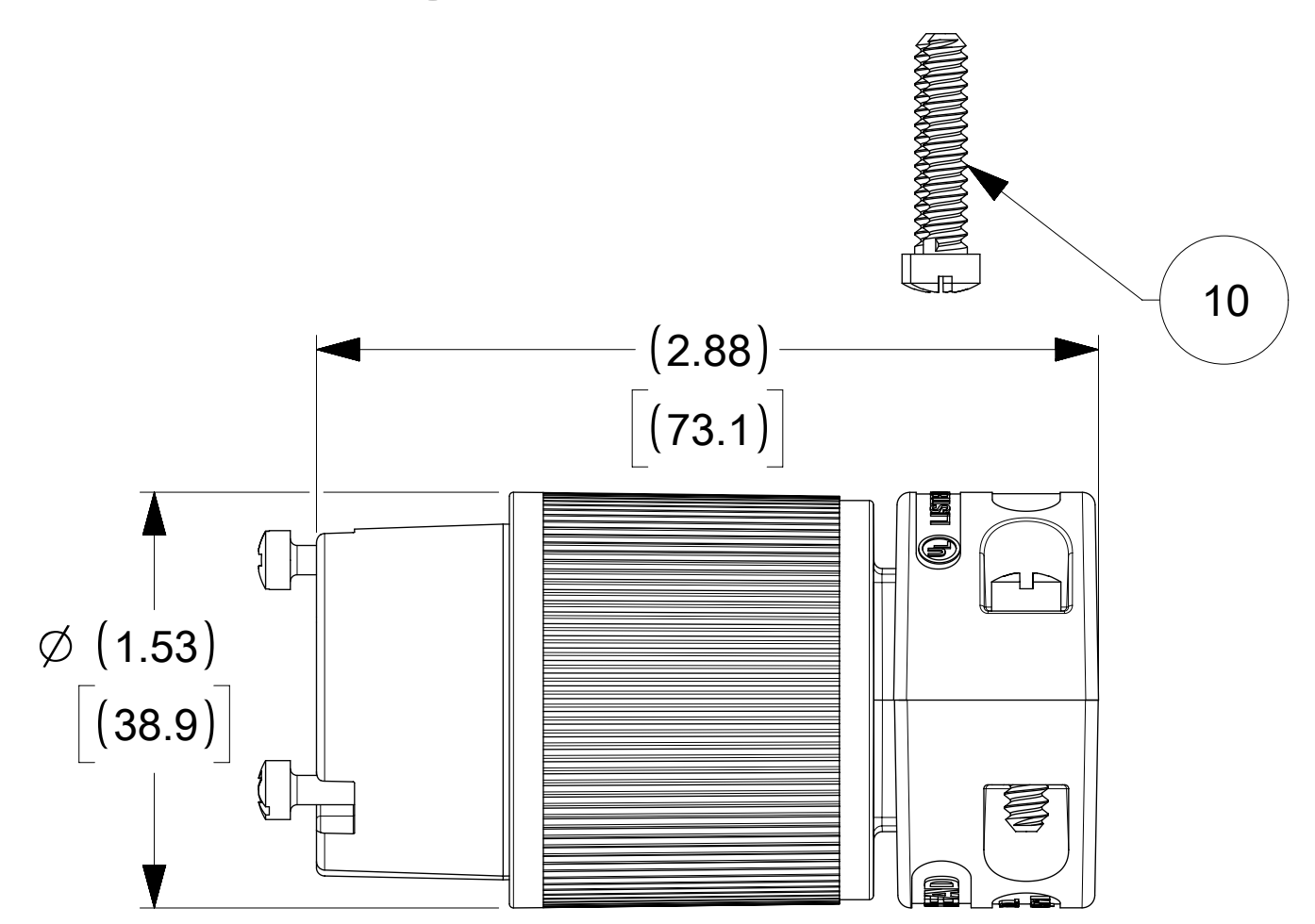
ORDER NO.	WOODHEAD NO.	COLOR	GRADE
130144-0057	5369	BLACK	STANDARD
130144-0060	5369YL	YELLOW	STANDARD
130144-0084	85369	BLACK	HOSPITAL



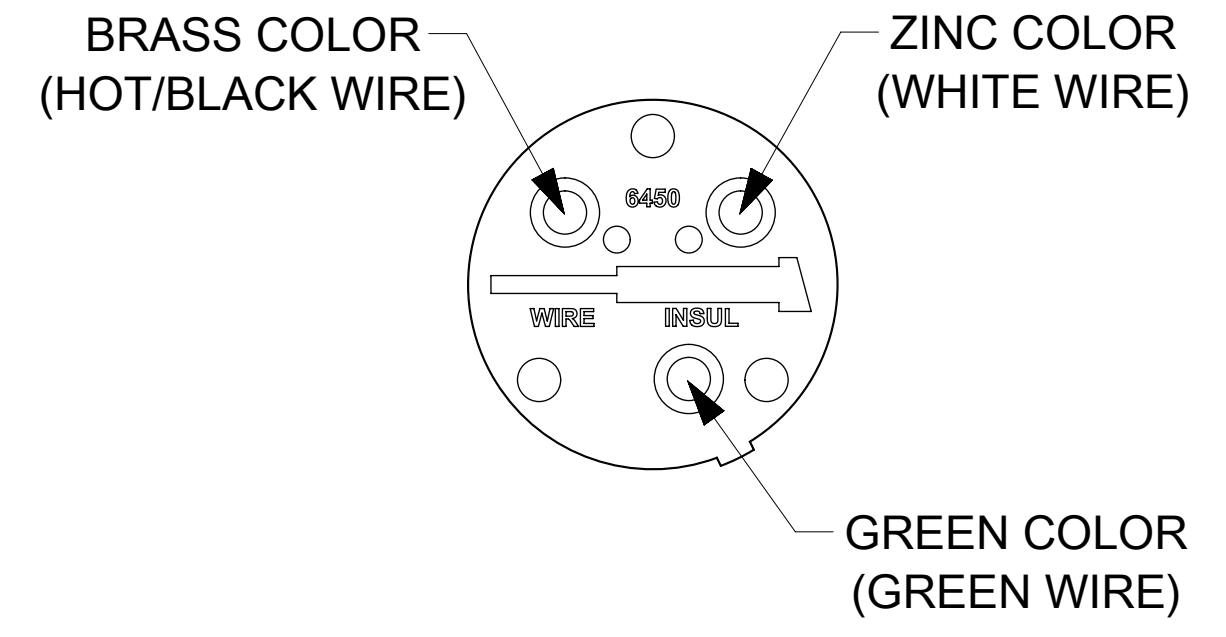
GREEN DOT LOCATION FOR HOSPITAL GRADE P/N 85369XX ONLY



FACE VIEW



WIRING TERMINATION



ITEM NO.	DESCRIPTIONS	MATERIAL	QTY.
1	BLADES	BRASS	3
2	RETAINING SCREWS	STAINLESS STEEL	3
3	TERMINAL SCREWS/CLAMP ASSEMBLY	BRASS, ZINC PLATED	3
4	INSERT; WHITE	NYLON	1
5	TERMINAL COVER	POLYCARBONATE	1
6	HOUSING; BLACK	NYLON	1
7	CLAMP CORD MALE; WHITE	NYLON	1
8	CLAMP CORD INSERT	NYLON	1
9	CLAMP CORD FEMALE; WHITE	NYLON	1
10	RETAINING SCREWS	STEEL, ZINC PLATED	2

SYMBOLS DIMENSION UNITS: INCH[MM] SCALE: NTS GENERAL TOLERANCES (UNLESS SPECIFIED): 4 PLACES ± ± 3 PLACES ± ± 2 PLACES ± ± 1 PLACE ± ± 0 PLACES ± ± ANGULAR TOL ± ° DRAFT WHERE APPLICABLE MUST REMAIN WITHIN DIMENSIONS		THIS DRAWING CONTAINS INFORMATION THAT IS PROPRIETARY TO MOLEX ELECTRONIC TECHNOLOGIES, LLC AND SHOULD NOT BE USED WITHOUT WRITTEN PERMISSION CURRENT REV DESC: NEW RELEASE EC NO: 613441 DRWN: VBASUTHKARP 2019/02/06 CHK'D: DNGUYEN62 2019/10/30 APPR: HKNEELAND 2020/01/25 INITIAL REVISION: DRWN: VBASUTHKARP 2019/02/06 APPR: HKNEELAND 2020/01/25 THIRD ANGLE PROJECTION DRAWING SERIES: C-SIZE 130144		 SAFEWAY CONNECTOR 2P3W 5-20 PRODUCT CUSTOMER DRAWING DOCUMENT NUMBER: 1301440057 DOC TYPE: PSD DOC PART: 000 REVISION: A MATERIAL NUMBER: SEE TABLE CUSTOMER: GENERAL MARKET SHEET NUMBER: 1 OF 1		
---------------------------------------------------------------------------------------------------------------------------------------------------------------------------------------------------------------------------------------------------------------	--	--------------------------------------------------------------------------------------------------------------------------------------------------------------------------------------------------------------------------------------------------------------------------------------------------------------------------------------------------------------------------------------------------------------------------------------------	--	-------------------------------------------------------------------------------------------------------------------------------------------------------------------------------------------------------------------------------	--	--