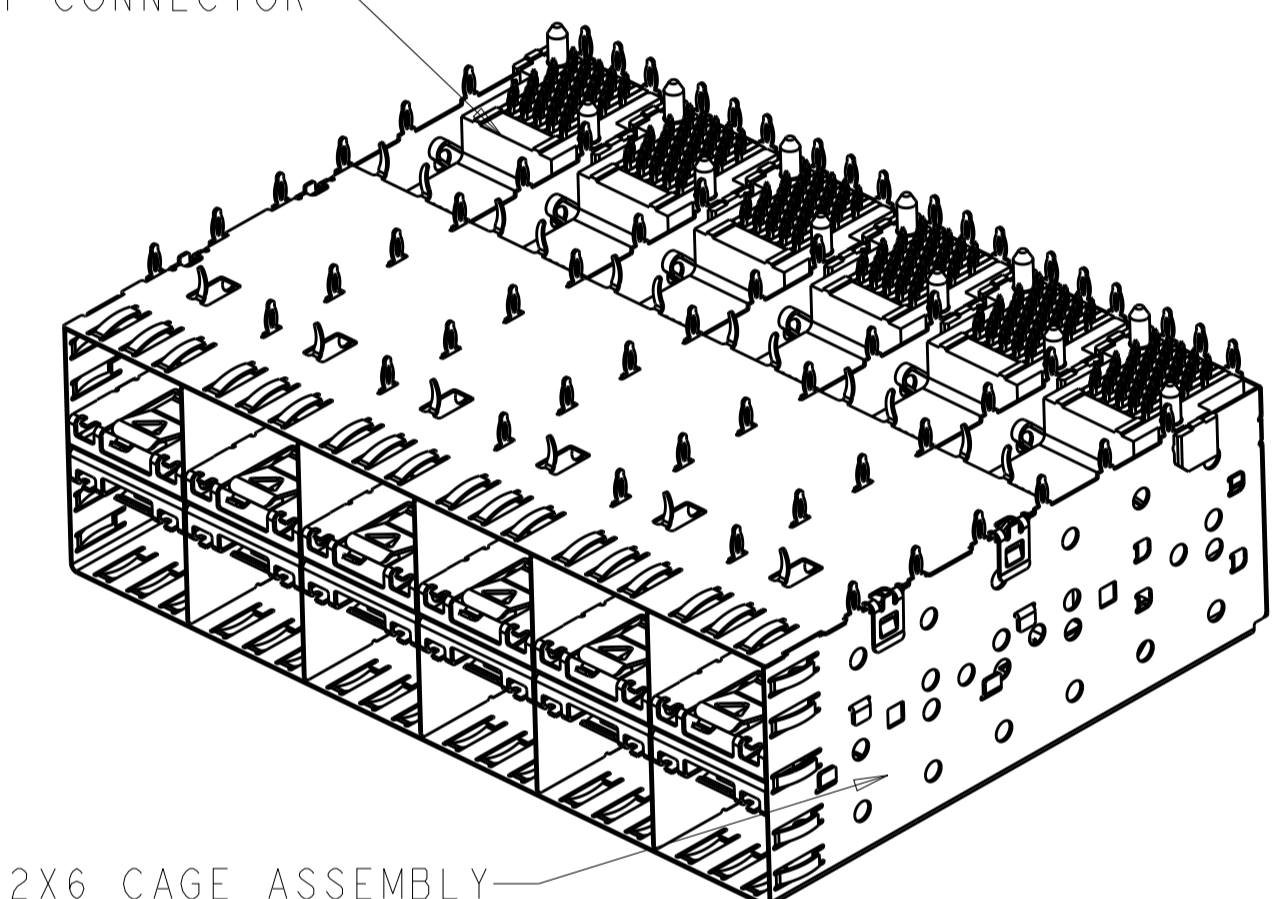
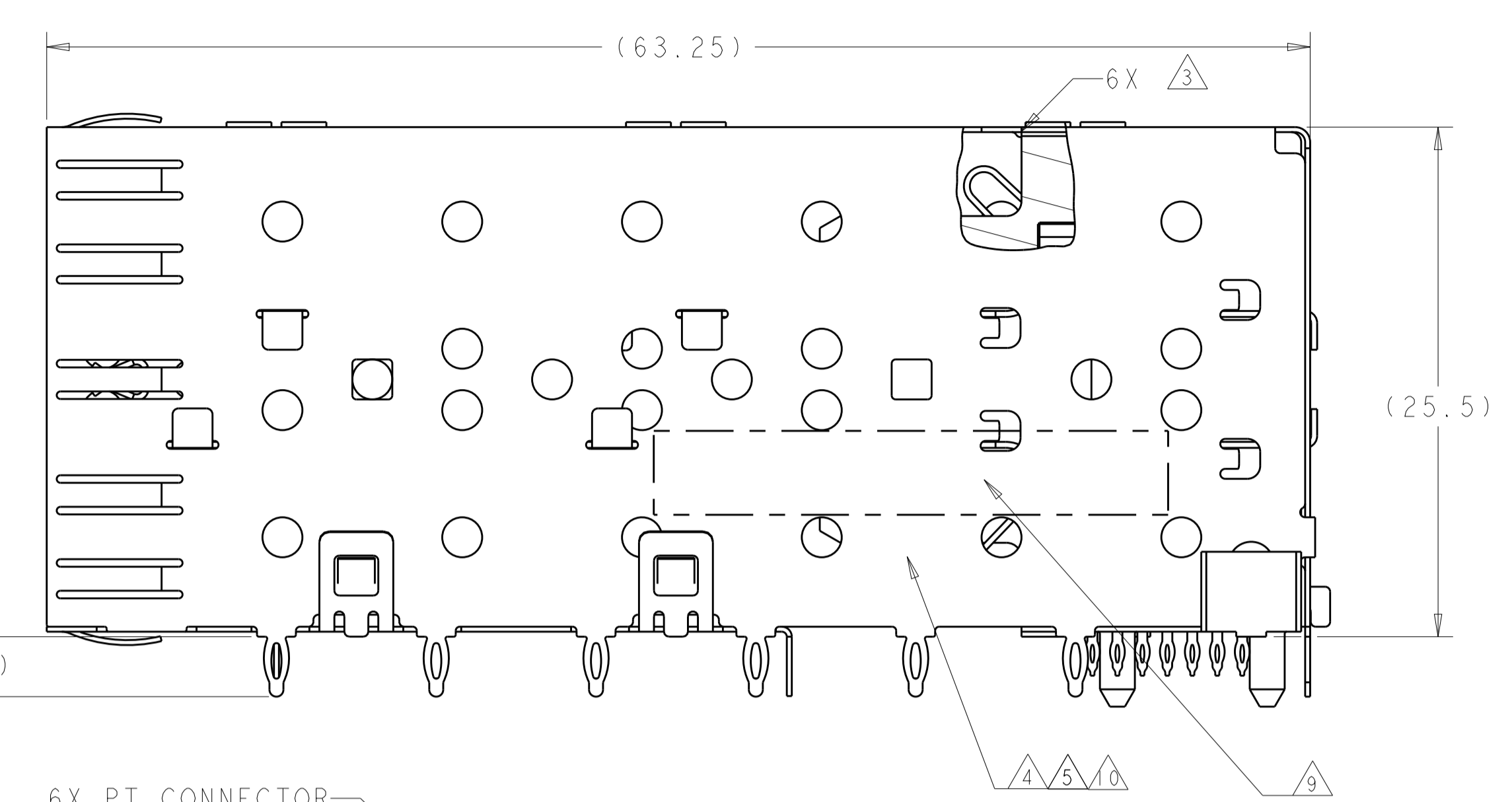
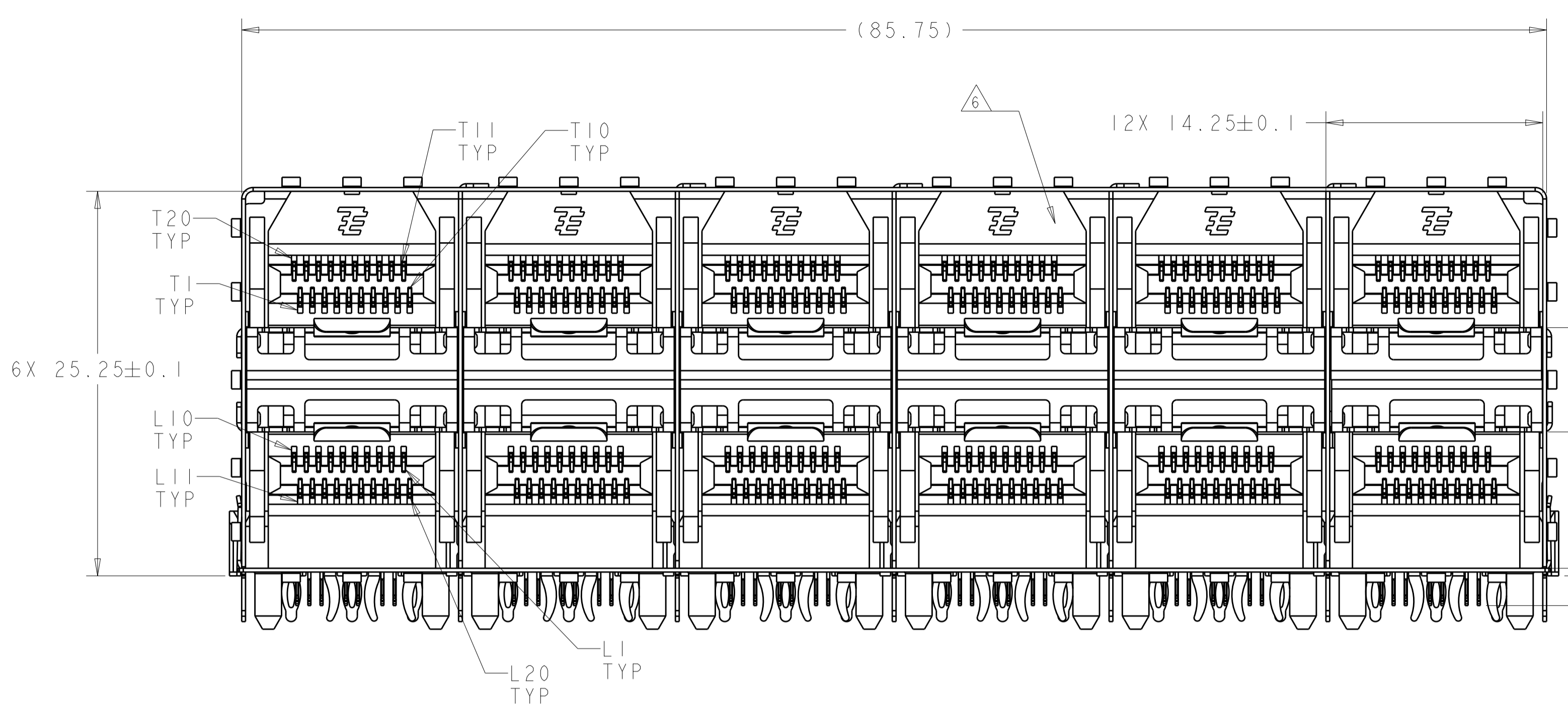


| LOC | DIST | REVISIONS |     |                           |           |     |      |
|-----|------|-----------|-----|---------------------------|-----------|-----|------|
| ES  | 00   | P         | LTN | DESCRIPTION               | DATE      | DWN | APVD |
|     |      | C         |     | ECR-08-028454             | 11NOV2008 | AL  | SY   |
|     |      | D         |     | REVISED PER ECO-14-000886 | 20FEB2014 | JW  | SH   |
|     |      | D1        |     | REVISED PER ECO-14-010419 | 11JUL2014 | JW  | SH   |
|     |      | E         |     | REVISED PER ECO-15-013594 | 25SEP2015 | JW  | SH   |

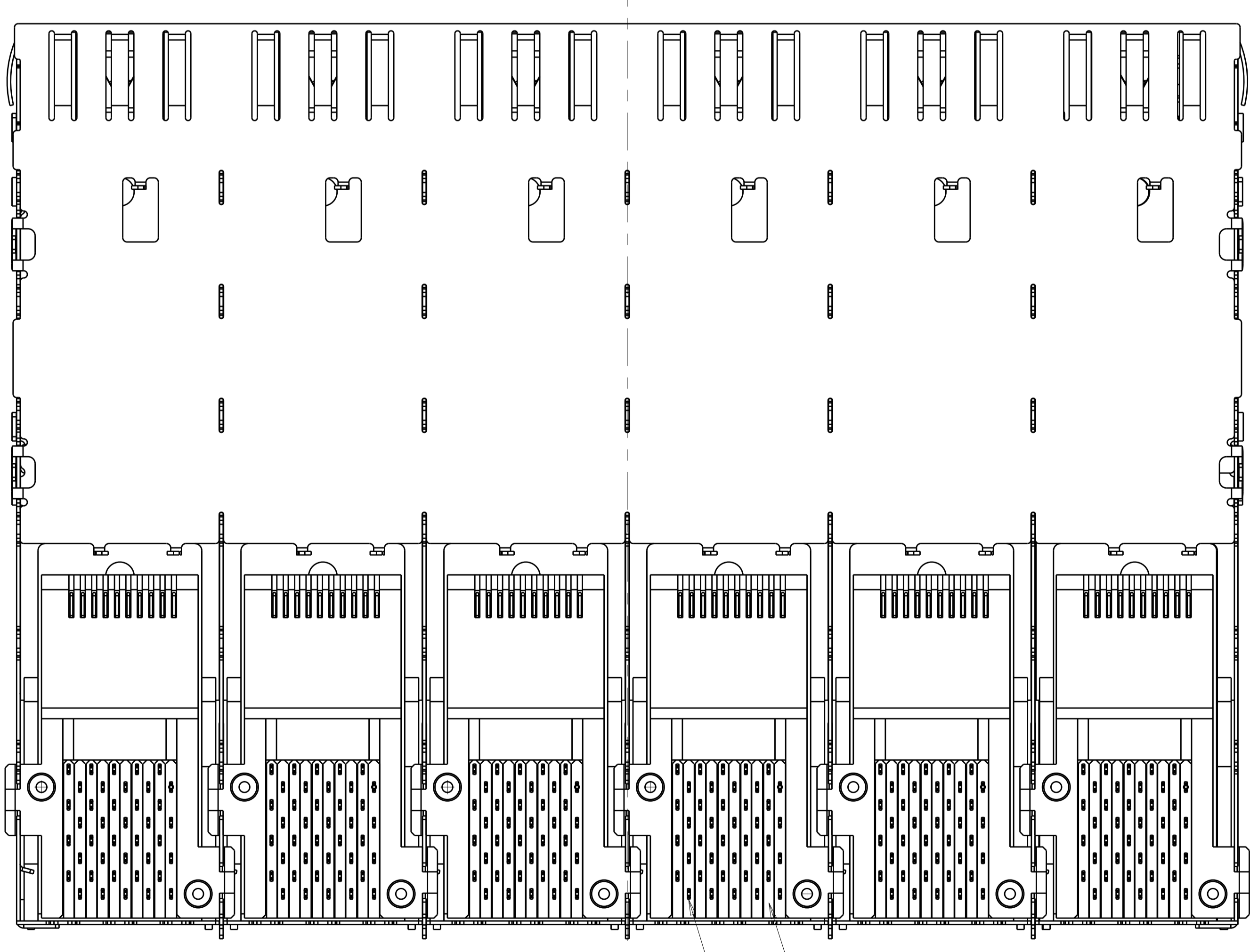


2X6 CAGE ASSEMBLY  
1761327-1&-2  
SCALE 3:2

- ① DATUM AND BASIC DIMENSION TO BE DETERMINED BY CUSTOMER.
- ② INTERPRETATION OF DATUM REFERENCE FRAME IN ACCORDANCE WITH SECT 4.4.1.1 OF ASME Y14.5M-1994.
- ③ TOP OF PT CONNECTOR TO BE 0-0.15 FROM INSIDE SURFACE OF CAGE.
- ④ COPPER ALLOY.
- ⑤ 1.25µm MIN TIN PER ASTM B 545 OVER NICKEL FLASH PER QQ-N-290. NON-PLATED EDGES PERMISSIBLE.
- ⑥ LCP, HIGH TEMPERATURE, UL 94V-0 RATED, BLACK.
- ⑦ POLYESTER, UL 94V-0 RATED, BLACK.
- ⑧ CONTACT MATING AREA: SURFACE TREATMENT OVER 0.76µm MIN GOLD PER ASTM B 488 OVER 1.27µm MIN NICKEL PER QQ-N-290. NEEDLE EYE: 1.25µm MIN TIN PER ASTM B 545 OVER 1.27µm MIN NICKEL PER QQ-N-290. REMAINDER OF CONTACT: 0.76µm MIN NICKEL PER QQ-N-290.
- ⑨ DATE CODE AND PART NUMBER IN APPROXIMATE AREA SHOWN.
- ⑩ NICKEL SILVER ALLOY(NO PLATING)

|                                    |                  |                    |             |               |             |
|------------------------------------|------------------|--------------------|-------------|---------------|-------------|
| <b>SUPERSEDED BY:</b><br>1761327-2 | ⑧                | ④, ⑦               | NO          | ⑩             | 1761327-2   |
|                                    | ⑧                | ④, ⑦               | ③           | ④             | 1761327-1   |
|                                    | CONNECTOR FINISH | CONNECTOR MATERIAL | CAGE FINISH | CAGE MATERIAL | PART NUMBER |

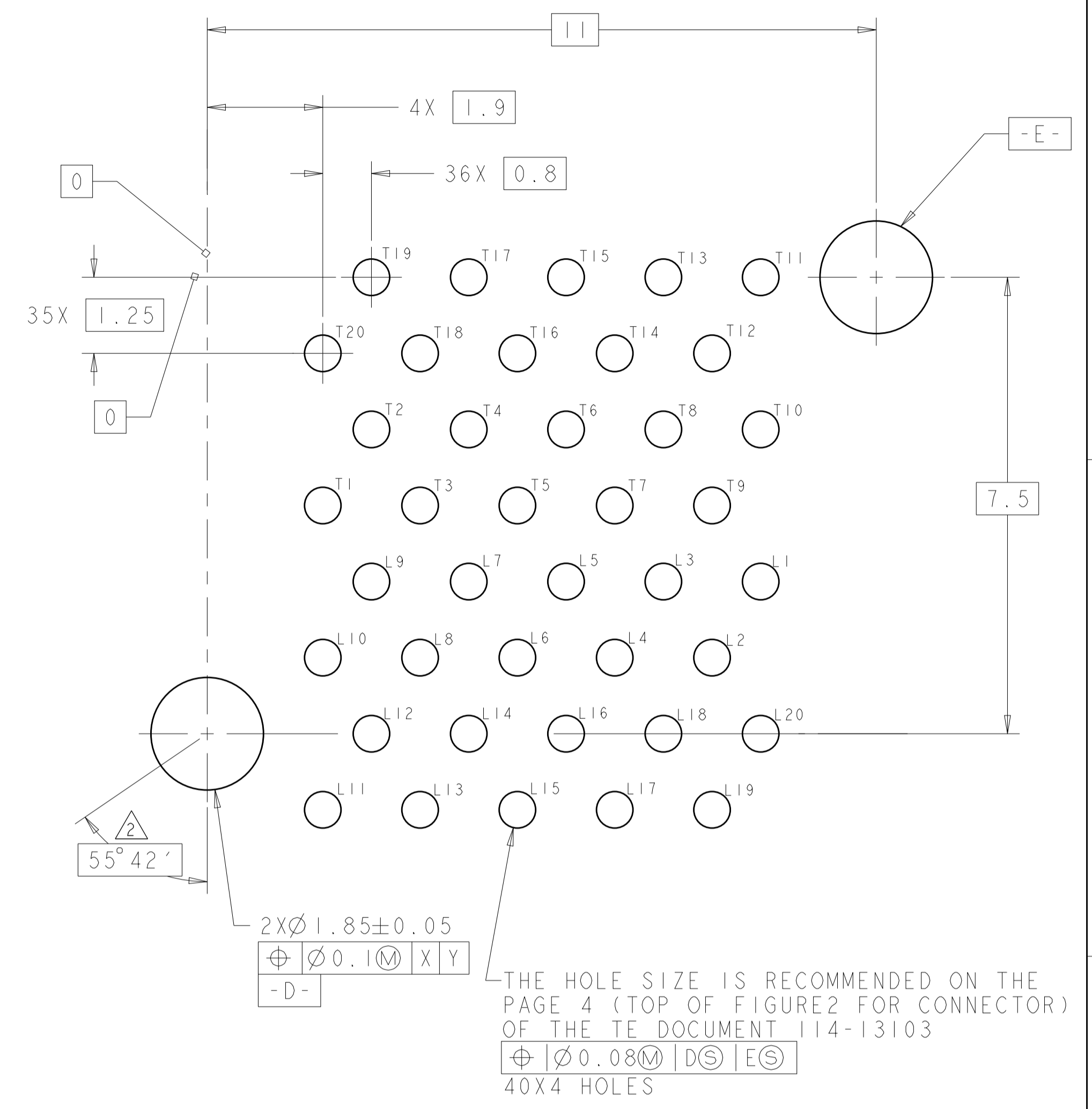
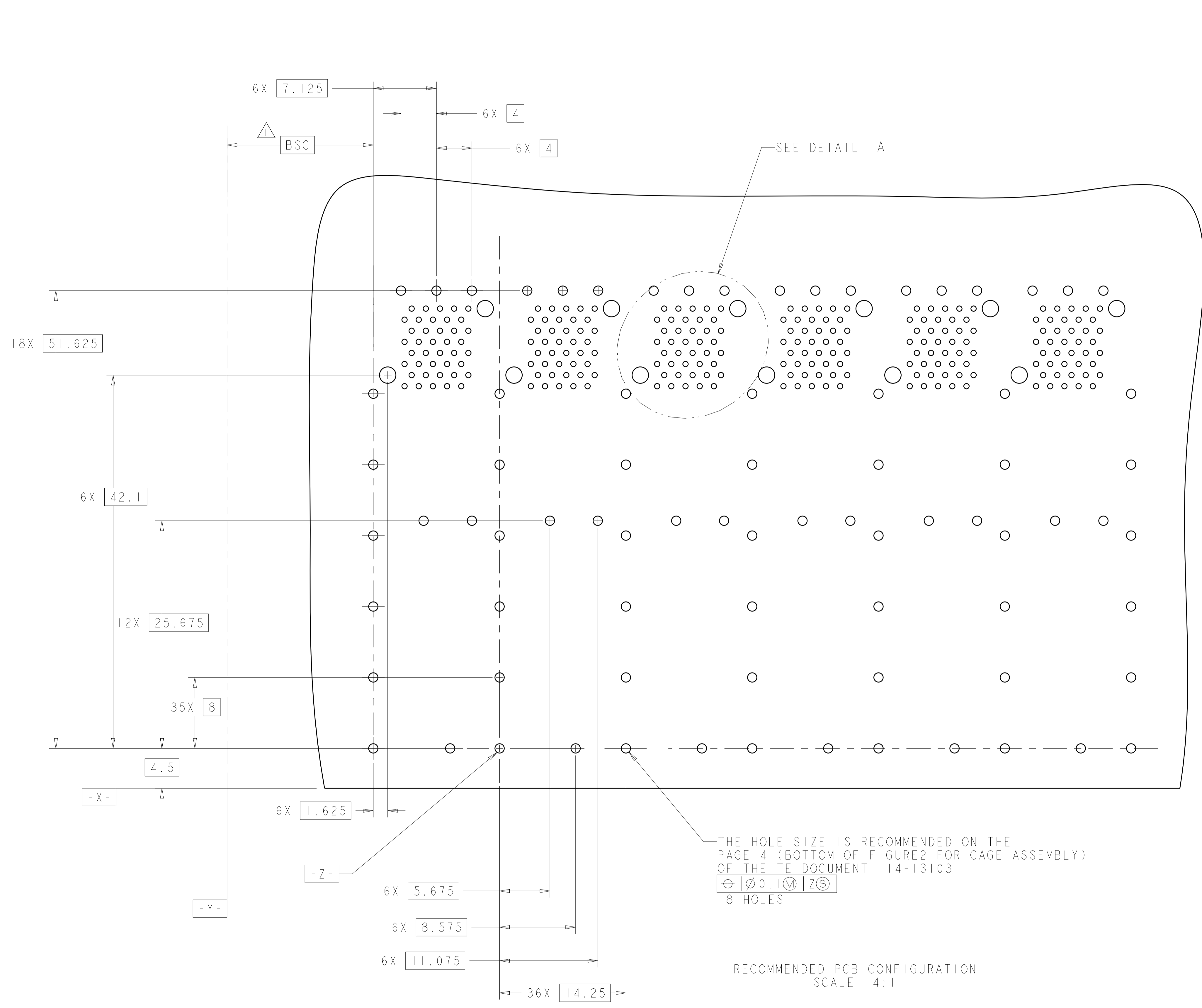
|  |            |                                     |  |
|--|------------|-------------------------------------|--|
| THIS DRAWING IS A CONTROLLED DOCUMENT. |            | DWN<br>B. CRISAMORE<br>28 JUN 04    | TE Connectivity<br>NAME<br>CAGE AND PT CONNECTOR ASSEMBLY<br>PRESS FIT, 2X6, STANDARD PROFILE<br>SFP |
| DIMENSIONS:                            |            | CHG<br>J. KOPPENHEFFER<br>30 JUN 04 |  |
| mm                                     | 0 PLC ±    | APVD<br>M. WALMSLEY<br>30 JUN 04    | SIZE<br>A1   |
|  | 1 PLC ±0.1 | PRODUCT SPEC<br>108-2161            | SCALE<br>4:1   |
|  | 2 PLC ±    | APPLICATION SPEC<br>114-13103       | SHEET<br>1 OF 3  |
|  | 3 PLC ±    | WEIGHT                              | REV<br>E   |
|  | 4 PLC ±    | CUSTOMER DRAWING                    |  |
|  | ANGLES ±   |                                     |  |
| MATERIAL                               | FINISH     |                                     |  |



| LOC | DIST | REV | DATE | BY | APPV |
|-----|------|-----|------|----|------|
| ES  | 00   |     |      |    |      |

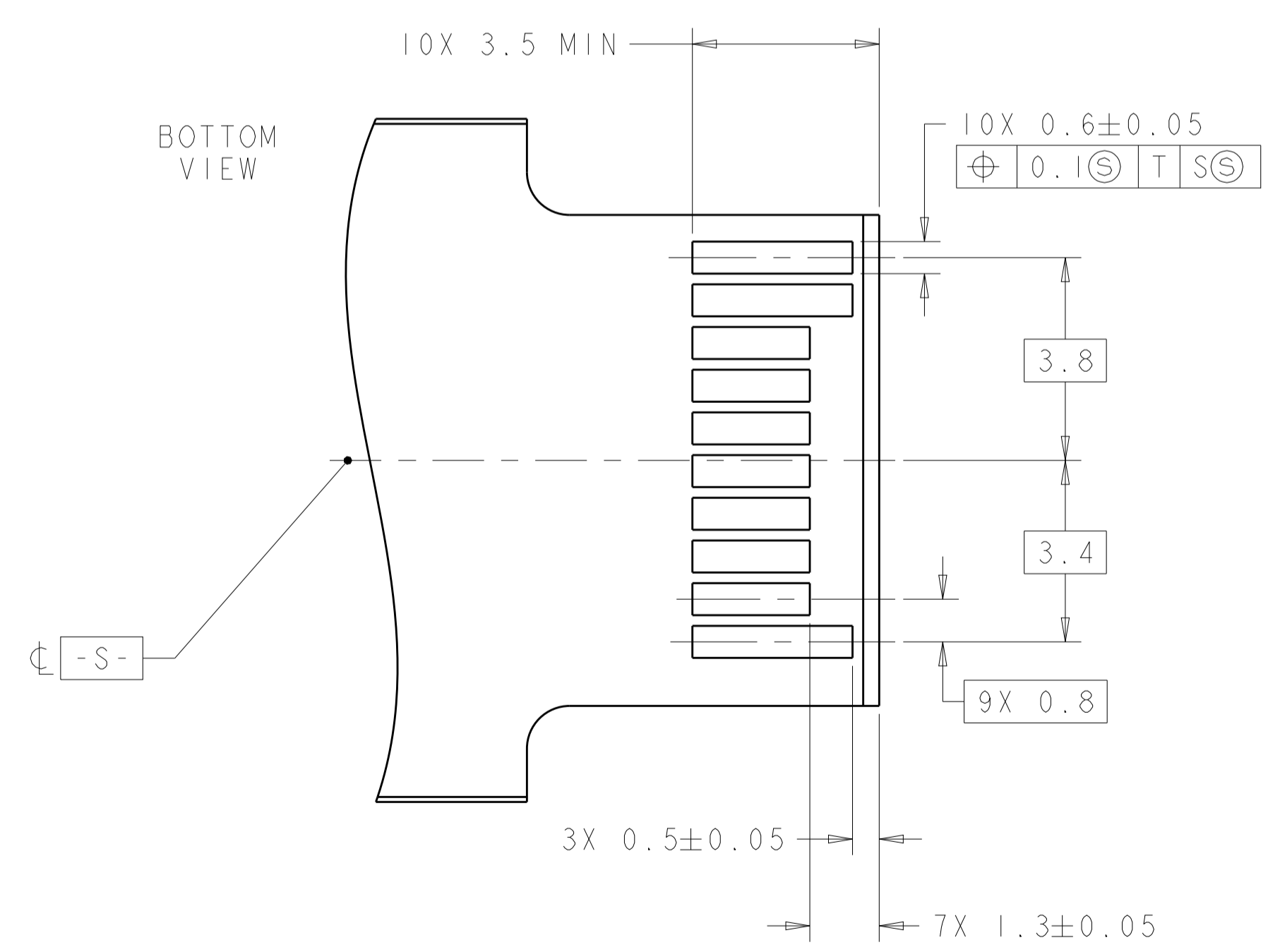
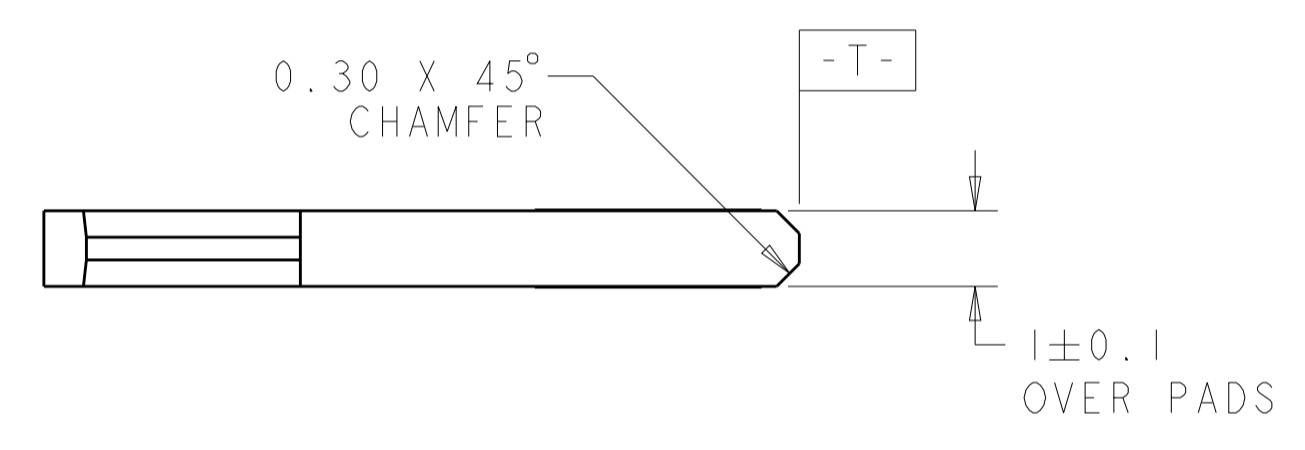
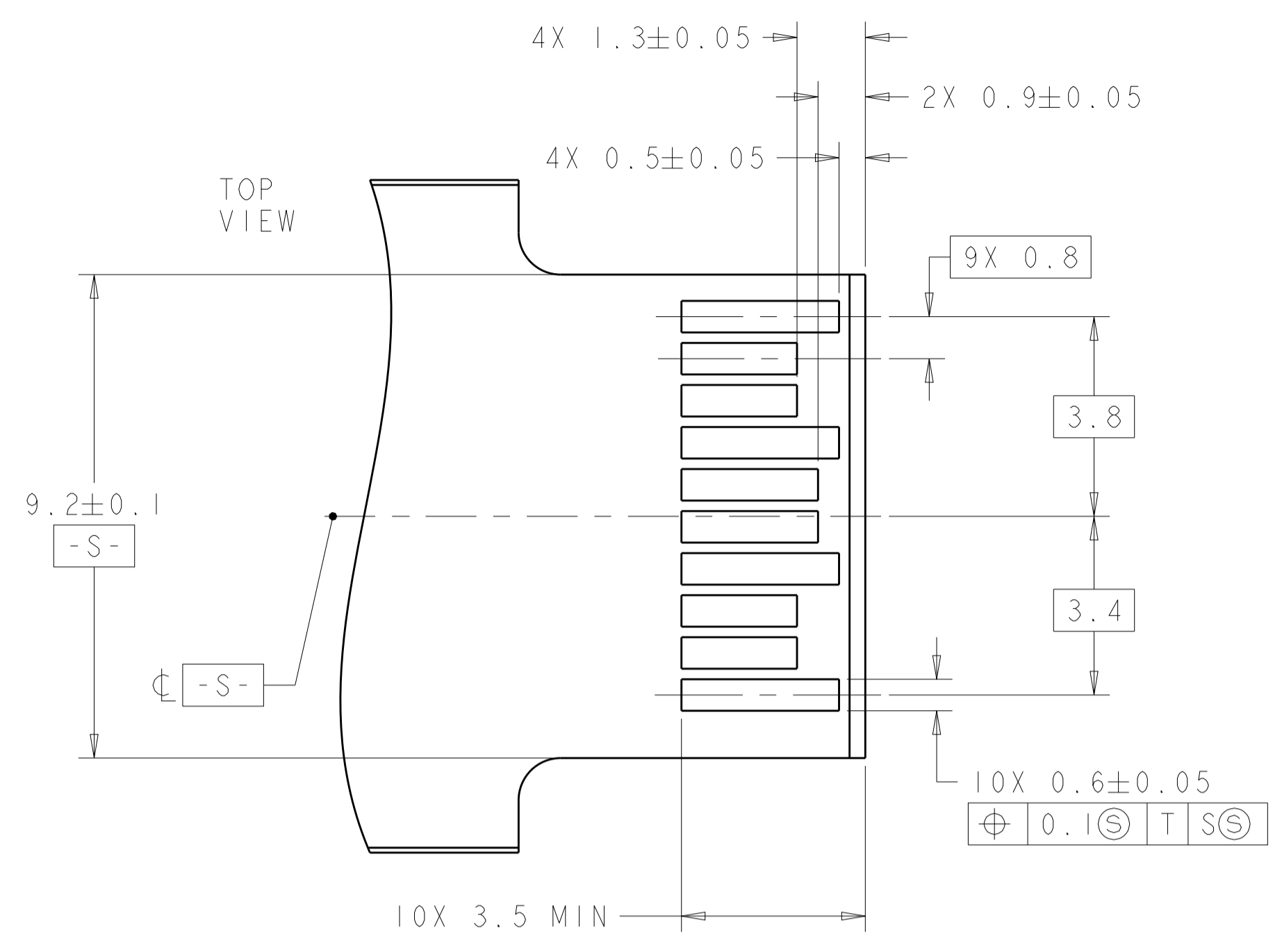
  

| REVISIONS |      |             |    |      |      |
|-----------|------|-------------|----|------|------|
| NO        | DATE | DESCRIPTION | BY | APPV | DATE |
| -         | -    | SEE SHEET 1 | -  | -    | -    |



|   |  |                              |  |  |
|---|--|------------------------------|--|--|
| THIS DRAWING IS A CONTROLLED DOCUMENT.  |  | OWN B. CRISAMORE 28 JUN04    | TE Connectivity  |  |
| DIMENSIONS: mm  |  | CHK J. KOPPENHEFFER 30 JUN04 |  |  |
| TOLERANCES UNLESS OTHERWISE SPECIFIED:  |  | APVD M. WALMSLEY 30 JUN04    | NAME CAGE AND PT CONNECTOR ASSEMBLY PRESS FIT, 2X6, STANDARD PROFILE SFP |  |
| 0 PLC ±<br>1 PLC ±0.1<br>2 PLC ±0.1<br>3 PLC ±<br>4 PLC ±<br>ANGLES ±<br>FINISH ± |  | PRODUCT SPEC 108-2161        | SIZE A1  |  |
| MATERIAL  |  | APPLICATION SPEC 114-13103   | CAGE CODE DRAWING NO 1761327   |  |
|   |  | WEIGHT                       | SCALE 1:1 SHEET 2 OF 3 REV E   |  |
|   |  | CUSTOMER DRAWING             |  |  |

| LOC | DIST | REVISIONS   |      |     |      |
|-----|------|-------------|------|-----|------|
| P   | LTN  | DESCRIPTION | DATE | DWN | APVD |
| -   | -    | SEE SHEET 1 | -    | -   | -    |
|     |      |             |      |     |      |
|     |      |             |      |     |      |



RECOMMENDED LAYOUT FOR  
MATING TRANSCEIVER PCB  
SCALE 10:1

|  |        |                        |                      |   |      |       |   |       |   |       |   |        |   |        |   |                          |                               |            |
|--|--------|------------------------|----------------------|---|------|-------|---|-------|---|-------|---|--------|---|--------|---|--------------------------|-------------------------------|------------|
| THIS DRAWING IS A CONTROLLED DOCUMENT.   |        | DWN<br>B. CRISAMORE    | 28 JUN 04            | TE Connectivity   |      |       |   |       |   |       |   |        |   |        |   |                          |                               |            |
| DIMENSIONS:<br>mm  |        | CHK<br>J. KOPPENHEFFER | 30 JUN 04            |   |      |       |   |       |   |       |   |        |   |        |   |                          |                               |            |
| TOLERANCES UNLESS OTHERWISE SPECIFIED:   |        | APVD<br>M. WALMSLEY    | 30 JUN 04            | NAME<br>CAGE AND PT CONNECTOR ASSEMBLY<br>PRESS FIT, 2X6, STANDARD PROFILE<br>SFP |      |       |   |       |   |       |   |        |   |        |   |                          |                               |            |
| <table border="1"> <tr><td>0 PLC</td><td>±</td></tr> <tr><td>1 PLC</td><td>±0.1</td></tr> <tr><td>2 PLC</td><td>±</td></tr> <tr><td>3 PLC</td><td>±</td></tr> <tr><td>4 PLC</td><td>±</td></tr> <tr><td>ANGLES</td><td>±</td></tr> <tr><td>FINISH</td><td>±</td></tr> </table> |        | 0 PLC                  | ±                    | 1 PLC   | ±0.1 | 2 PLC | ± | 3 PLC | ± | 4 PLC | ± | ANGLES | ± | FINISH | ± | PRODUCT SPEC<br>108-2161 | APPLICATION SPEC<br>114-13103 | SIZE<br>A1 |
| 0 PLC  | ±      |                        |                      |   |      |       |   |       |   |       |   |        |   |        |   |                          |                               |            |
| 1 PLC  | ±0.1   |                        |                      |   |      |       |   |       |   |       |   |        |   |        |   |                          |                               |            |
| 2 PLC  | ±      |                        |                      |   |      |       |   |       |   |       |   |        |   |        |   |                          |                               |            |
| 3 PLC  | ±      |                        |                      |   |      |       |   |       |   |       |   |        |   |        |   |                          |                               |            |
| 4 PLC  | ±      |                        |                      |   |      |       |   |       |   |       |   |        |   |        |   |                          |                               |            |
| ANGLES   | ±      |                        |                      |   |      |       |   |       |   |       |   |        |   |        |   |                          |                               |            |
| FINISH   | ±      |                        |                      |   |      |       |   |       |   |       |   |        |   |        |   |                          |                               |            |
| MATERIAL   | FINISH | WEIGHT                 | CAGE CODE<br>1761327 | RESTRICTED TO   |      |       |   |       |   |       |   |        |   |        |   |                          |                               |            |
| CUSTOMER DRAWING   |        | SCALE<br>8:1           | SHEET<br>3 OF 3      | REV<br>E  |      |       |   |       |   |       |   |        |   |        |   |                          |                               |            |