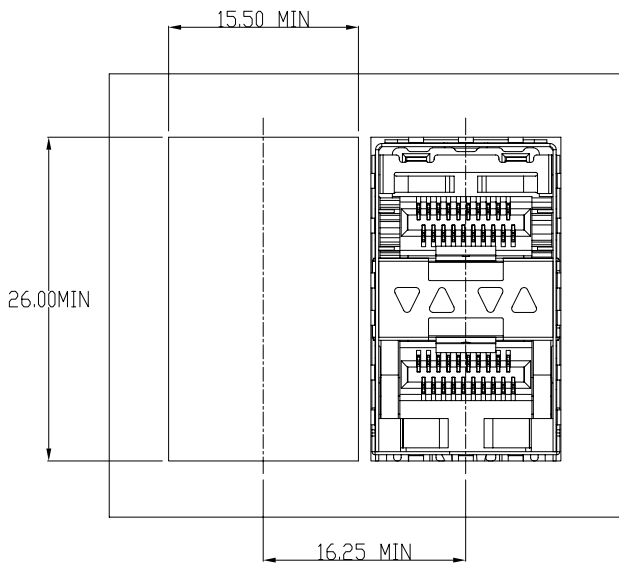
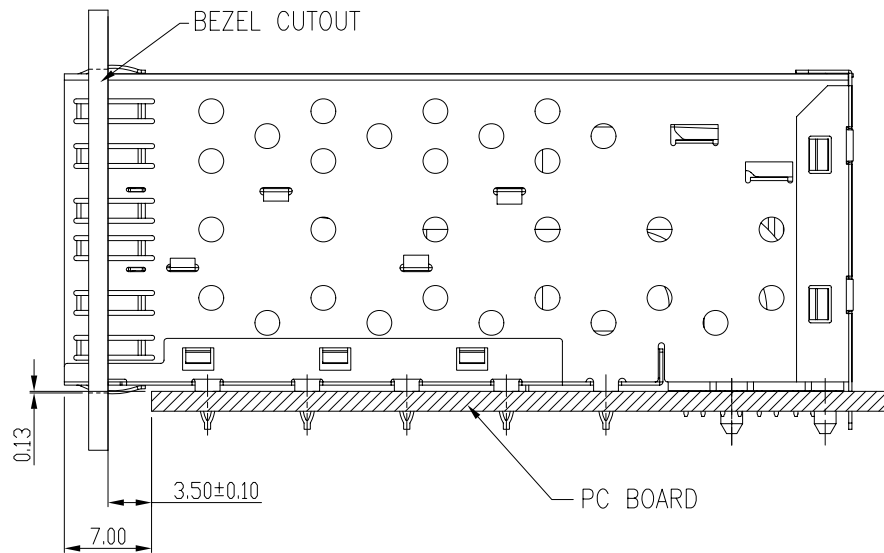


Qty Per:	TRAY	CARTON		
	16	96		
PART NUMBER	STATEMENT			
SFP018-L	INNER/OUTER LIGHT PIPES			
No.	DESCRIPTION	Q'ty	MATERIAL	PLATING
01	SFP CAGE (Non-Logo)	1	COPPER ALLOY	NICKEL
02	CONNECTOR	1	HIGH TEMP/COPPER ALLOY	GOLD

DETACHED LISTS	MM (INCH)	RoHS Compliant		Pulse A TECHNITROL COMPANY	
	TOLERANCES EXCEPT AS NOTED	TITLE			
	MM .0 ± 0.25 ± .00 ± 0.2 ± .000 ± 0.10 ±	W/LIGHT PIPES			
	ANGLES ± 0.5	SFP 2 BY 1 CAGE+CONNECTOR_P			
THIRD ANGLE PROJECTION	DFTD Jack	DRAWING NO. CSFP018-L	SIZE A3	REV 2	
	DATE 12/02/08'	/PART NO. SFP018-L	DO NOT SCALE DRAWING	SHEET 1	OF 4
	SCALE : 2:1				

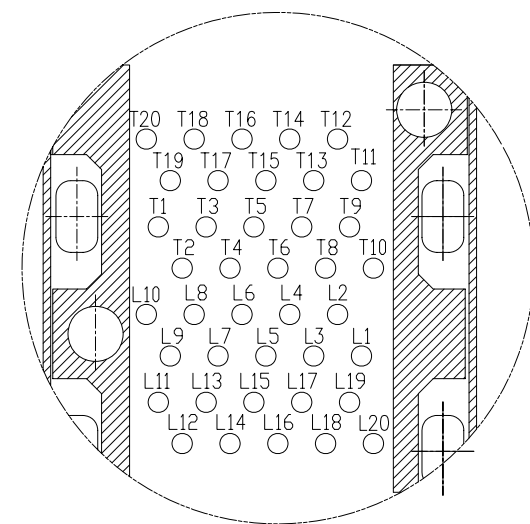
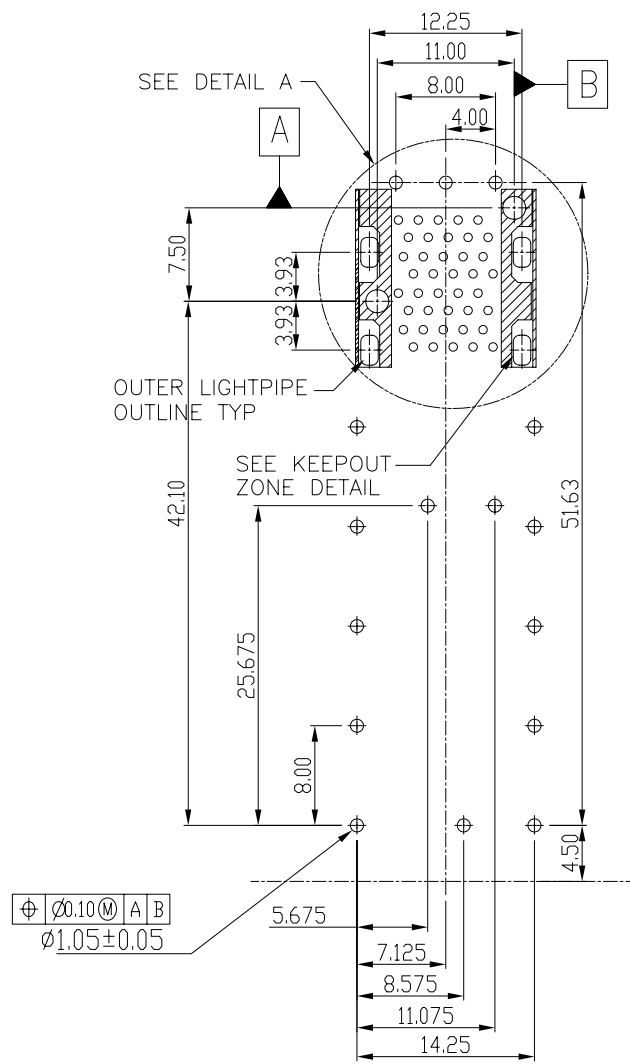
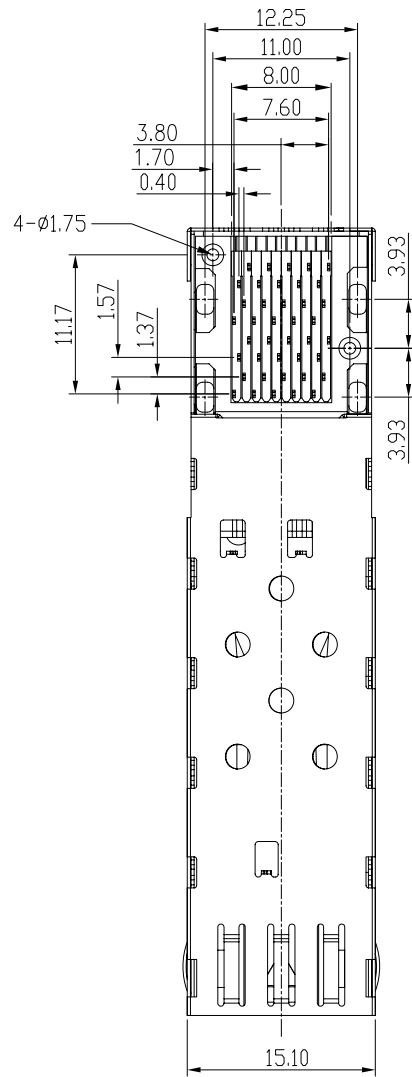


BEZEL CUT-OUT CENTER SPACING DETAIL
BEZEL THICKNESS:0.8-2.6


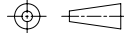


SECTION A-A

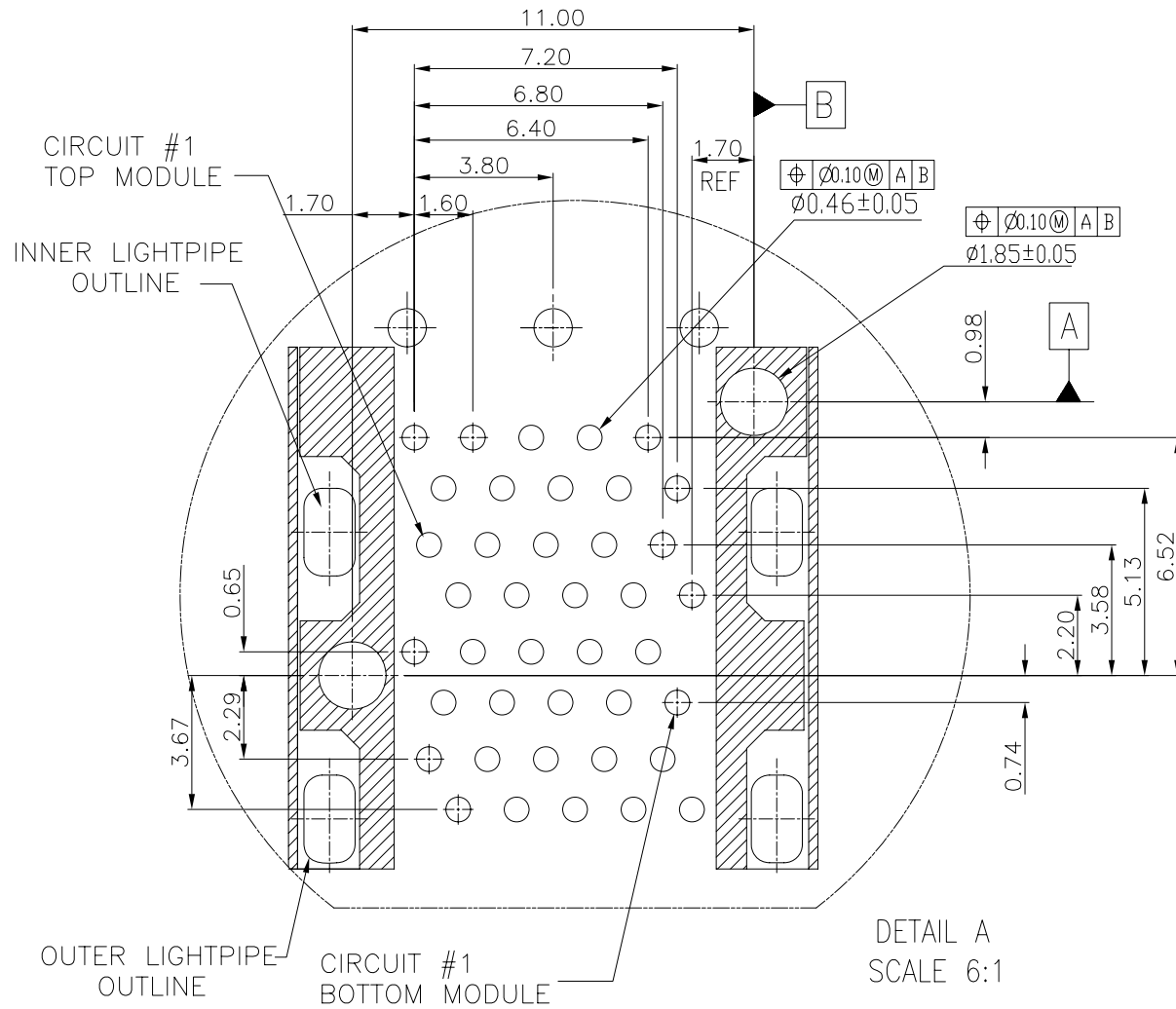
MM (INCH)		RoHS Compliant			
TOLERANCES EXCEPT AS NOTED		TITLE SFP 2 BY 1 CAGE+CONNECTOR_P			
DETACHED LISTS	MM			W/LIGHT PIPES	
	.0 ± 0.25	±		SIZE	REV
	.00 ± 0.2	±		A3	2
	.000 ± 0.10	±			
	ANGLES ± 0.5				
 THIRD ANGLE PROJECTION		DFTD Jack DATE 12/02/08		DRAWING NO. CSFP018-L /PART NO. SFP018-L	
		SCALE : 2:1		DO NOT SCALE DRAWING	
				SHEET 2 OF 4	



CONNECTOR PIN-OUT
COMPONENT SIDE OF BOARD

MM (INCH)		RoHS Compliant		 Pulse <small>A TECHNITROL COMPANY</small>	
TOLERANCES EXCEPT AS NOTED		TITLE SFP 2 BY 1 CAGE+CONNECTOR_P W/LIGHT PIPES			
DETACHED LISTS	MM				
	.0 ± 0.25		±		
	.00 ± 0.2		±		
	000 ± 0.10		±		
ANGLES ± 0.5		DFTD Jack DATE 12/02/08'			
 THIRD ANGLE PROJECTION		DRAWING NO. CSFP018-L /PART NO. SFP018-L		SCALE : 2:1	DO NOT SCALE DRAWING
		SIZE A3		REV 2	SHEET 3 OF 4

H
G
F
E
D
C
B
A



MM (INCH)		RoHS Compliant			
TOLERANCES EXCEPT AS NOTED:		TITLE SFP 2 BY 1 CAGE+CONNECTOR_P W/LIGHT PIPES			
MM .0 ± 0.25 ± .00 ± 0.2 ± .000 ± 0.10 ±	ANGLES ± 0.5	DFTD Jack DATE 12/02/08'		DRAWING NO. CSFP018-L /PART NO. SFP018-L	
DETACHED LISTS		SCALE : 2:1		SIZE A3	REV 2
THIRD ANGLE PROJECTION		DO NOT SCALE DRAWING		SHEET 4 OF 4	