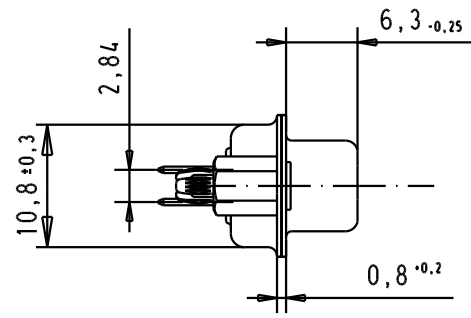
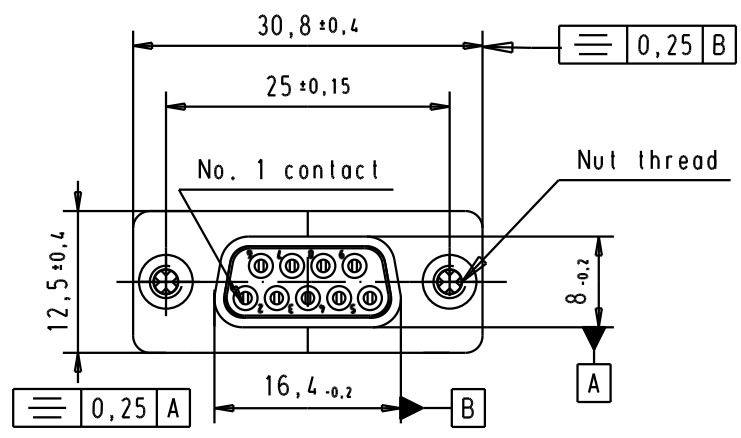


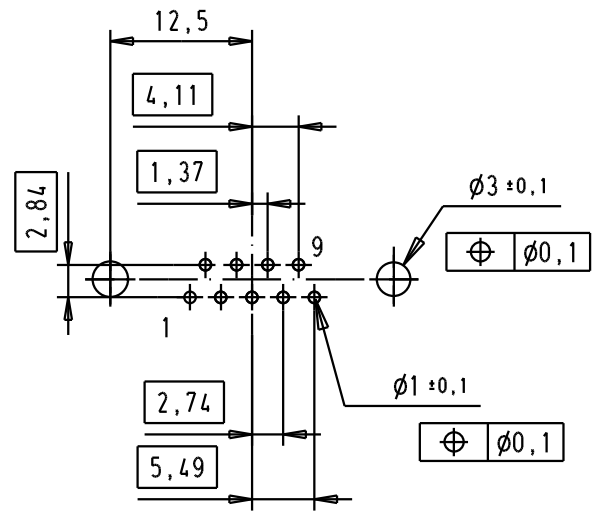
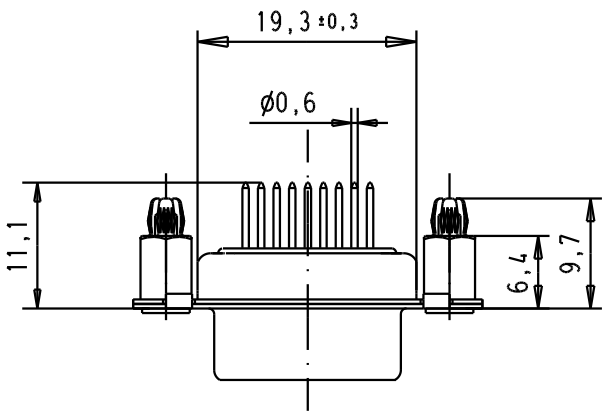
SPECIFICATION

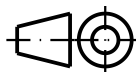

Mating Cycles	500
Filter type	C
Capacitance	47pf ±20%
Working Voltage	100v
Current Rating	7,5A
Insulation Resistance	>1GΩ

FREQUENCY (MHz)	ATTENUATION dB
5	-
10	-
50	-
100	-
500	30dB
1000	35dB



PCB Layout, Component side
thickness 1.6 mm



					Dat.	Name	 All Dim. in mm Orig. Size DIN A 4	D-Sub, female, straight, 9 Poles, solder pins, tin plated shell with spacer nuts and board-locks	Mo?MsLab/ Scale 1.5:1	
					Detail.	8-JUL-02				CV
					Insp.					
					Stand.					
09641127216	M3		33094	04/10/05	JMDR	HARTING EURL F-95972 Paris			TB 0964112721x	Blatt / Page 2 / 3
09641127215	UNC 4-40		31058	8-JUL-02	CV					
Part number	Nut thread		Mod.	Dat.	Name				Sub.	