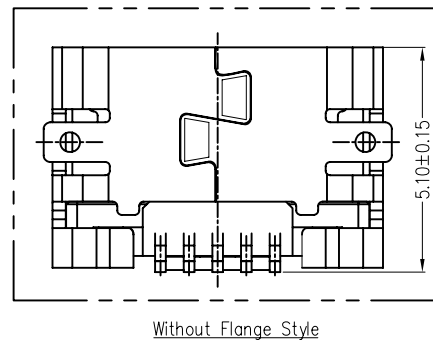
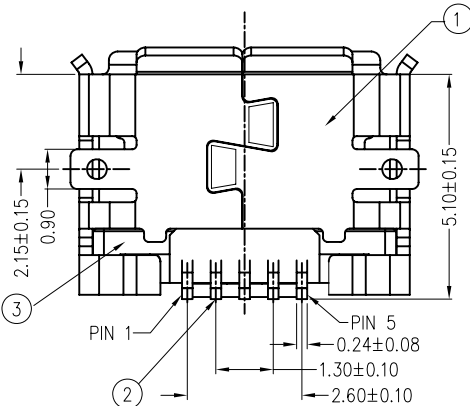
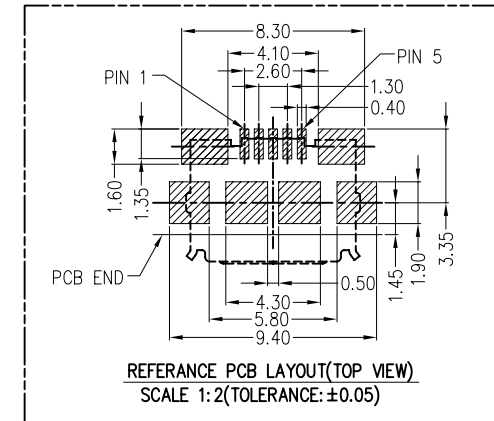
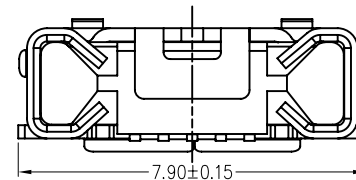
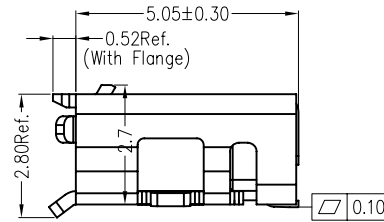
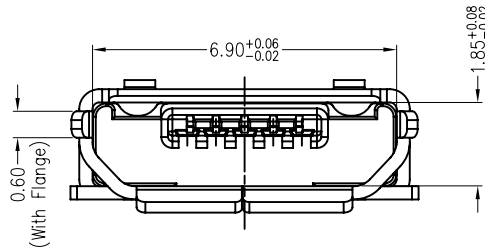


NOTES:

- MATERIAL:
HOUSING: HIGH THERMOPLASTIC RESIN, UL94V-0, COLOR: BLACK
TERMINAL: COPPER ALLOY
SHELL: STAINLESS
- FINISH:
CONTACT AREA: GOLD PLATED
CONTACT SOLDER AREA: GOLD FLASH
SHELL: MATTE TIN PLATED
UNDER NICKEL PLATED ALL OVER.
- PRODUCT SPECIFICATION: GS-12-641.
- PACKAGING SPECIFICATION: GS-14-2180.
- THE "LF" MEANS FOR LEAD FREE AND CAN WITHSTAND EXPOSE TO 260°C PEAK TEMPERATURE FOR 10 SECONDS IN IR REFLOW PROCESS.
- PART NUMBER: 10118192-000 X LF

- 1- WHIT FLANGE
- 2- WITHOUT FLANGE



Item	Title	Q'TY
1	Shell	1
2	Terminal	5
3	InsertMolding	1

mat'l. code		surface ASME Y14.5 ✓		tolerance ASME Y14.5		projection		product family USB	
ltr		ecn no		dr date		tolerances unless otherwise specified		title	
A		LS		10/21/11		.X±0.38		MICRO USB B TYPE RECEPTACLE	
B		ELX-N-20835 Nick		5/07/15		.XX±0.25		MM	
						angles		scale	
						X*±2*		.XXX±0.10	
				dr		JASON HSU 05/21/11		FCI	
				enrg		JASON HSU 05/21/11		dwg no	
				chr		JASON HSU 05/21/11		sheet 1 of 1 size	
				appd		GARY HSIEH 05/21/11		10118192 A4	
sheet index		revision sheet		B				type CUSTOMER Drawing	
1		1		1					