

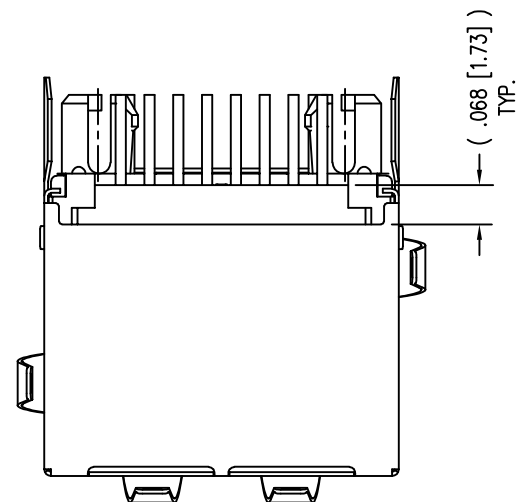
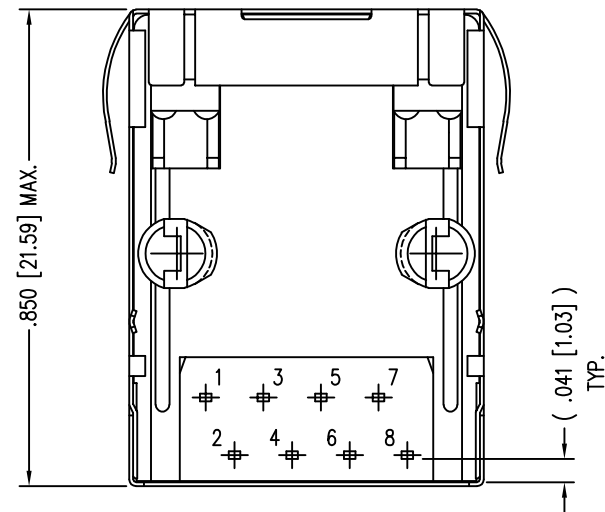
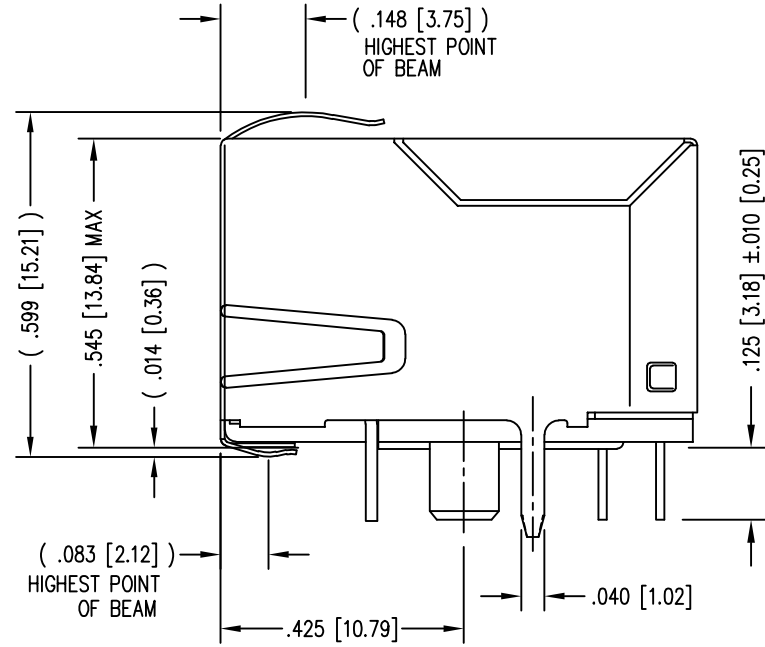
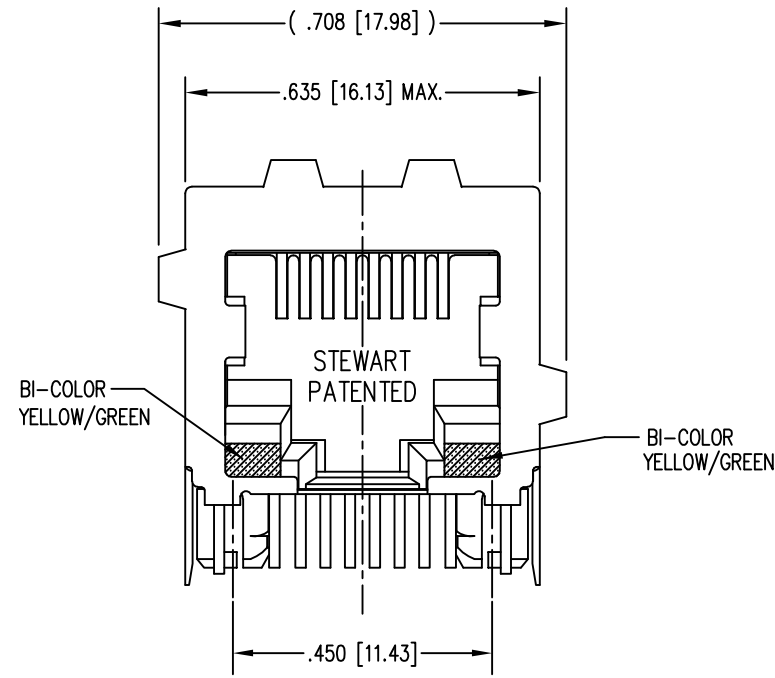
B

A

B

A

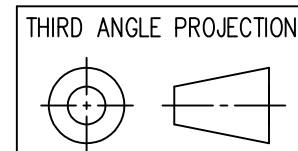
| DATE    | REV | ECN   | APP'D. BY |
|---------|-----|-------|-----------|
| 3-16-16 | A7  | 10615 | TRM       |
| 4-23-18 | A8  | 11232 | TRM       |
| 5-19-22 | A9  | 11986 | JE        |



NOTES:

- CONNECTOR MATERIALS:  
HOUSING: THERMOPLASTIC UL94 V-0  
BI-COLOR LEDs: CLEAR, PLASTIC COVER  
CONTACTS/SHIELD: COPPER ALLOY  
SHIELD PLATING: TIN-PLATED  
CONTACT PLATING: SELECTIVE GOLD IN CONTACT AREA  
SEE CHART FOR PART NUMBER
- FOR PRODUCT SPECIFICATION SEE PR022-01.
- DIMENSIONS AND TOLERANCES COMPLY WITH TIA-1096 STANDARD.
- THE SUGGESTED PANEL OPENING IS INTENDED TO GIVE USER THE ABILITY TO HAVE REASONABLE JACK/PANEL CLEARANCES, YET MAINTAIN GROUNDING CAPABILITY. THESE VARIABLES CAN BE ADJUSTED IN EITHER DIRECTION BUT MAY CARRY SOME CONSEQUENCES IN THE FORM OF LOWER MATING FORCES OR TIGHTER ASSEMBLY TOLERANCES.

|                                   |                    |
|-----------------------------------|--------------------|
| 30 MICRO-INCHES [0.76um]          | SS-7488S-CC-PG3-BA |
| CONTACT PLATING<br>IN MATING AREA | PART NUMBER        |



1118 Susquehanna Trail South  
Glen Rock, PA 17327-9199  
(717) 235-7512  
<http://www.stewartconnector.com>

DO NOT SCALE DRAWING  
DRAWING IS SUBJECT TO  
CHANGE WITHOUT NOTICE

TITLE: SINGLE PORT SHIELDED LED JACK

DIMENSIONS: INCHES [METRIC]  
UNLESS OTHERWISE SPECIFIED  
TOLERANCES ARE  $\pm .005 [0.13]$   
ANGLES ARE  $\pm 1^\circ$

THIS DRAWING AND THE SUBJECT MATTER SHOWN THEREON ARE CONFIDENTIAL AND THE PROPRIETARY PROPERTY OF STEWART CONNECTOR AND SHALL NOT BE REPRODUCED, COPIED, OR USED IN ANY MANNER WITHOUT PRIOR WRITTEN CONSENT OF STEWART CONNECTOR. ONE OR MORE U.S. PATENTS MAY APPLY TO THIS PRODUCT. FOR DETAILS, PLEASE VISIT: [HTTP://BELFUSE.COM/STEWART/STEWART\\_PATENTS/](http://BELFUSE.COM/STEWART/STEWART_PATENTS/)

|          |          |      |          |
|----------|----------|------|----------|
| DRN BY:  | DAB      | DATE | 10-22-03 |
| APPD BY: | RGC      | DATE | 10-22-03 |
| DWG NO.  | CT740127 | REV. | A9       |

SHEET NO. 1 OF 2

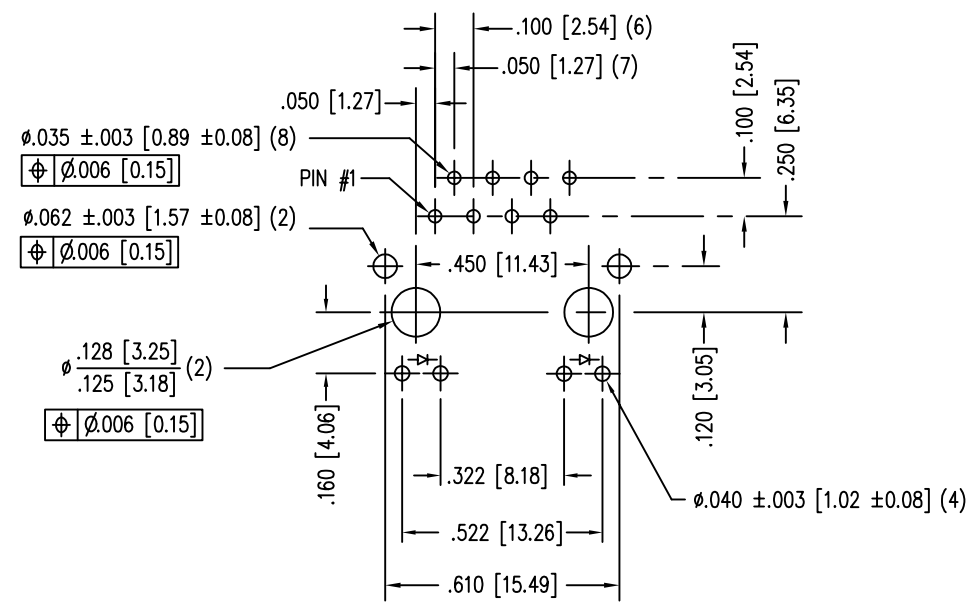
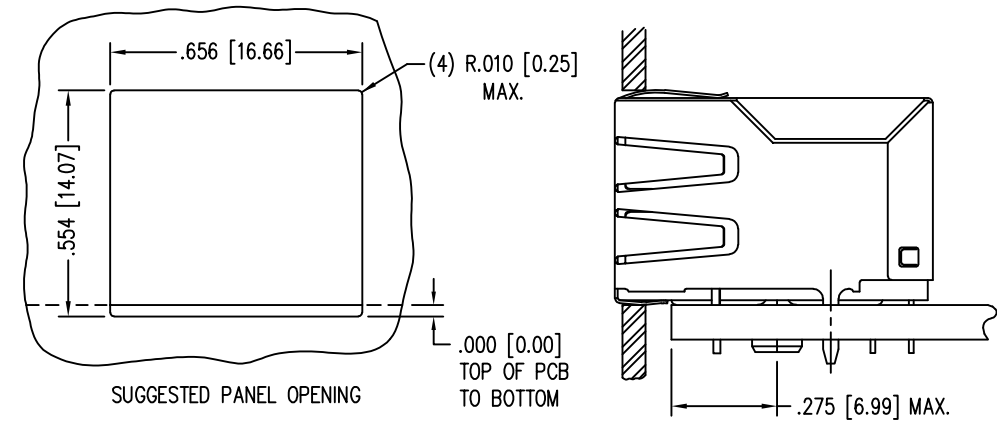
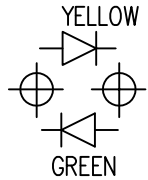


2

1

AutoCAD

LED POLARITY  
(ENLARGED VIEW)



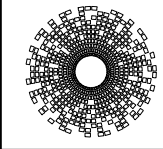
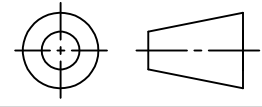
LED SPECIFICATIONS

| LED SPECIFICATIONS       |        |            |                         |                         |
|--------------------------|--------|------------|-------------------------|-------------------------|
| LOW CURRENT BI-COLOR LED |        | WAVELENGTH | * FORWARD VOLTAGE (MAX) | * FORWARD VOLTAGE (TYP) |
| YELLOW/GREEN             | YELLOW | 590 nm     | 2.5 V                   | 2.10 V                  |
|                          | GREEN  | 555 nm     | 2.6 V                   | 2.25 V                  |

\* WITH A FORWARD CURRENT OF 20 mA



THIRD ANGLE PROJECTION



**stewart**  
CONNECTOR  
a bel group

11118 Susquehanna Trail South  
Glen Rock, PA 17327-9199  
(717) 235-7512  
<http://www.stewartconnector.com>

DO NOT SCALE DRAWING  
DRAWING IS SUBJECT TO CHANGE WITHOUT NOTICE

TITLE: SINGLE PORT SHIELDED LED JACK

DIMENSIONS: INCHES [METRIC]

THIS DRAWING AND THE SUBJECT MATTER SHOWN THEREON ARE CONFIDENTIAL AND THE PROPRIETARY PROPERTY OF STEWART CONNECTOR AND SHALL NOT BE REPRODUCED, COPIED, OR USED IN ANY MANNER WITHOUT PRIOR WRITTEN CONSENT OF STEWART CONNECTOR. ONE OR MORE U.S. PATENTS MAY APPLY TO THIS PRODUCT. FOR DETAILS, PLEASE VISIT: [HTTP://BELFUSE.COM/STEWART/STEWART\\_PATENTS/](http://BELFUSE.COM/STEWART/STEWART_PATENTS/)

|          |          |      |          |
|----------|----------|------|----------|
| DRN BY:  | DAB      | DATE | 10-22-03 |
| APPD BY: | RGC      | DATE | 10-22-03 |
| DWG NO.  | CT740127 | REV. | A9       |

UNLESS OTHERWISE SPECIFIED TOLERANCES ARE ±.005 [0.13] ANGLES ARE ± 1°

SHEET NO. 2 OF 2