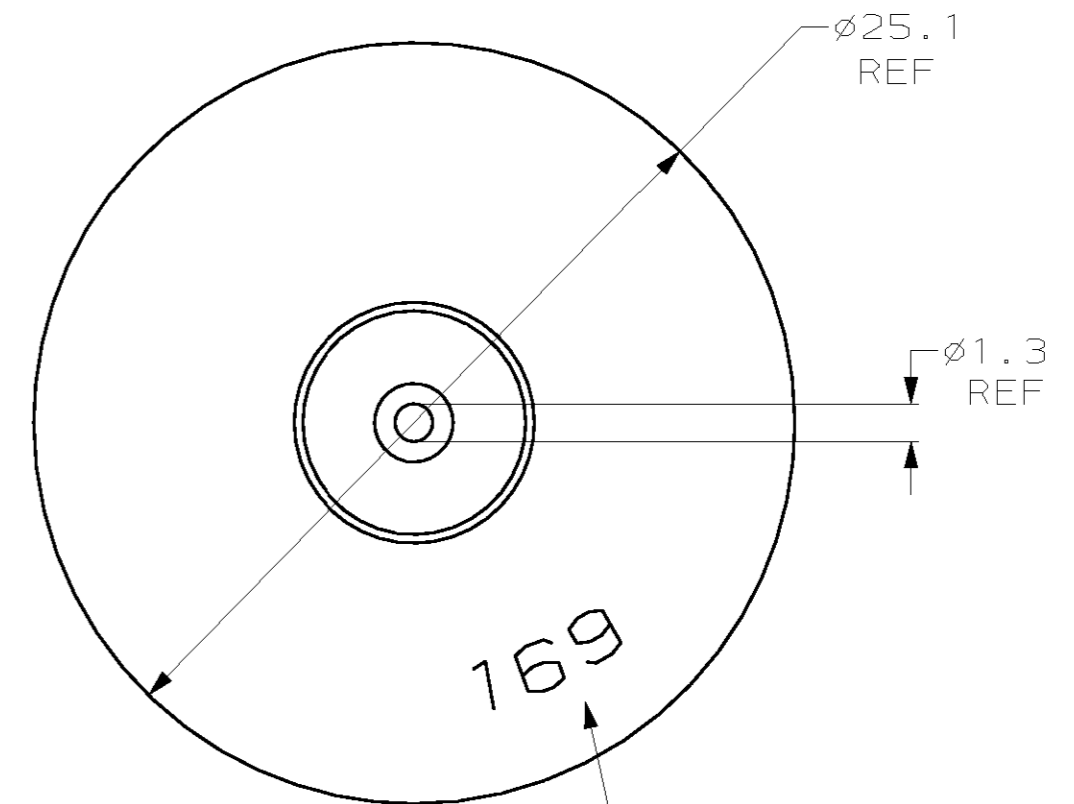
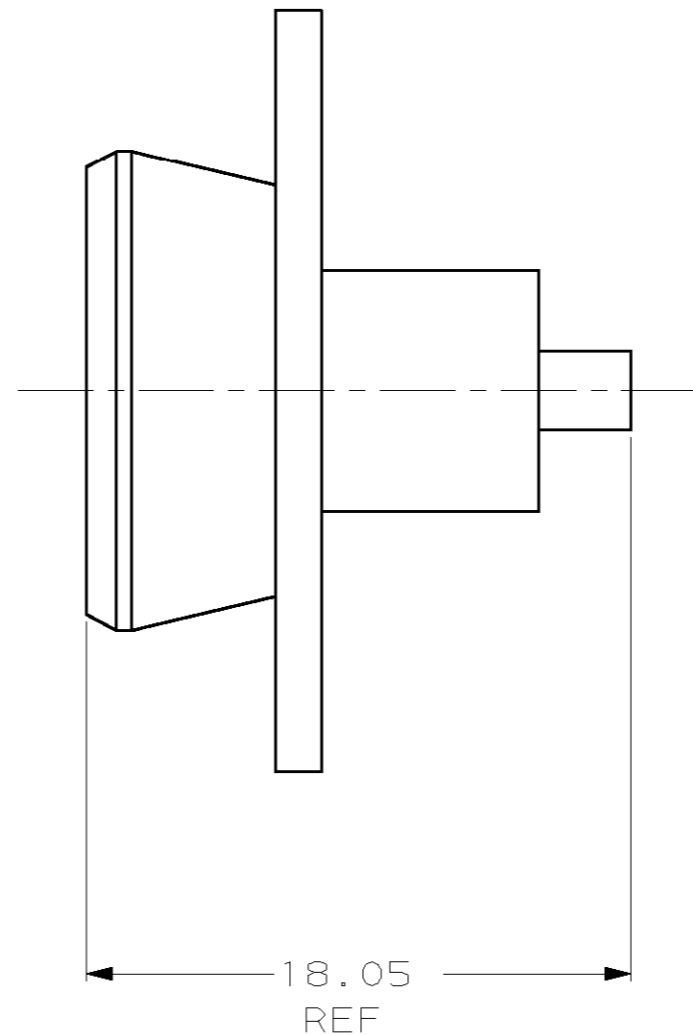
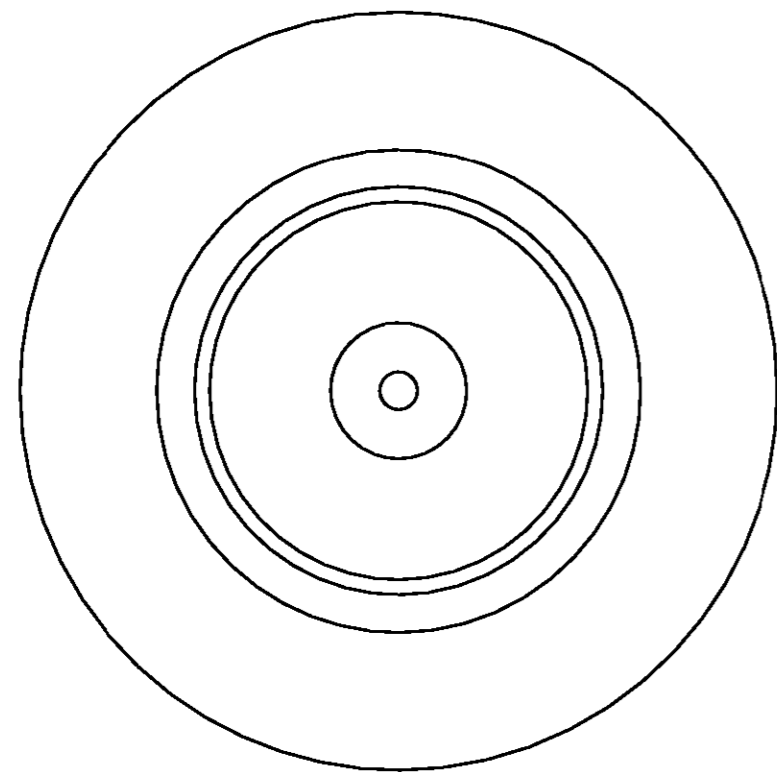


THIS DRAWING IS UNPUBLISHED. RELEASED FOR PUBLICATION .19
 (C) COPYRIGHT 19 BY AMP INCORPORATED. ALL RIGHTS RESERVED.

LOC		DIST		REVISIONS			
P	LTR	DESCRIPTION		DATE	DWN	APVD	
0		RELEASED PER NPR 99-473		22SEP99	TG	5B	



MARKED WITH STAMP "169"

1278997-1
PART NUMBER

THIS DRAWING IS A CONTROLLED DOCUMENT.		DWN	22SEP99	AMP Incorporated Harrisburg, PA 17105-3608
DIMENSIONS:		CHK	22SEP99	
mm		APVD	22SEP99	
		NAME	S. BUCHTER	
TOLERANCES UNLESS OTHERWISE SPECIFIED:		PRODUCT SPEC		MICROSCOPE ADAPTER, LC CONNECTOR NOT the LATEST REVISION
0 PLC ±- 1 PLC ±.2 2 PLC ±.2 3 PLC ±- 4 PLC ±- ANGLES ±-		APPLICATION SPEC		
MATERIAL -		WEIGHT -		SIZE CAGE CODE DRAWING NO. RESTRICTED TO A2 00779 C-1278997
FINISH -		CUSTOMER DRAWING		SCALE 4:1 SHEET 1 OF 1 REV 0

1278997

A