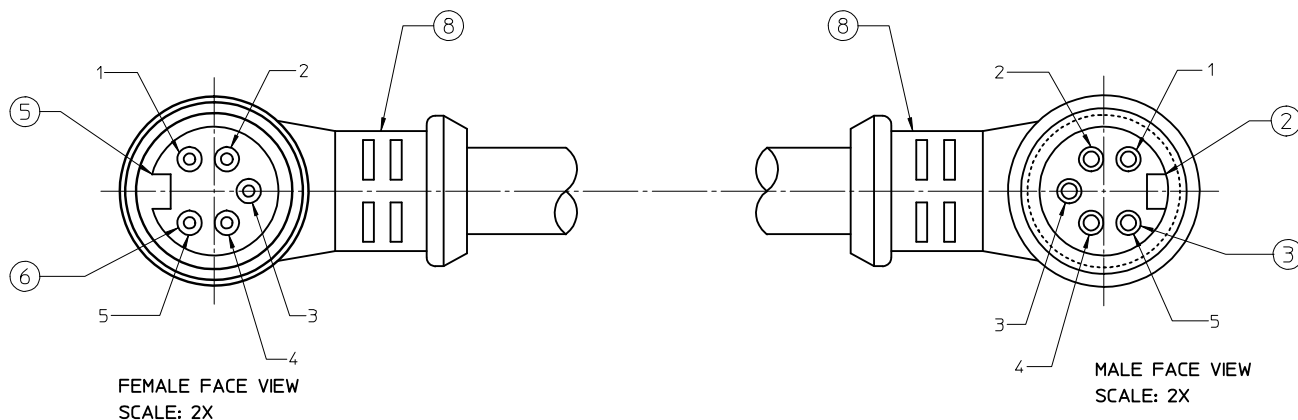
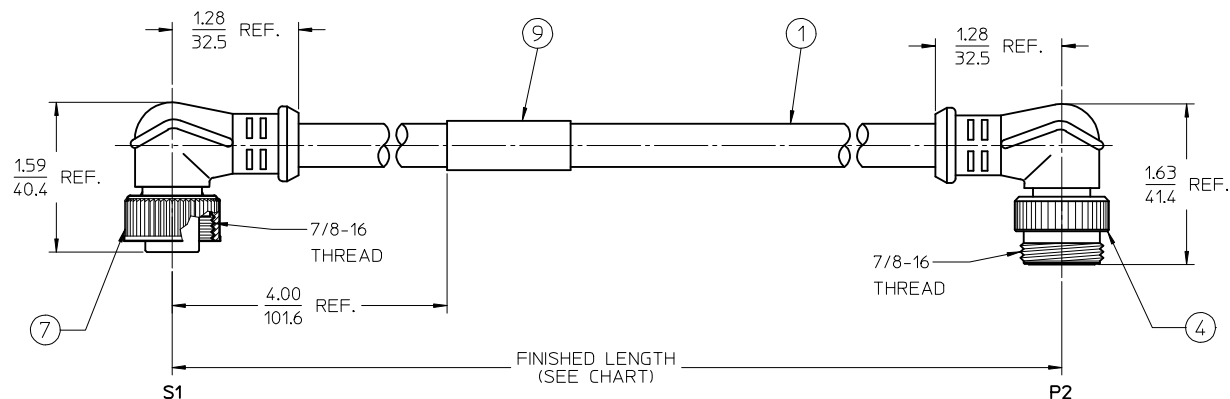


NOTES:

1. MATERIAL: SEE TABLE
2. FINISHES: SEE TABLE
3. ELECTRICAL SPECIFICATIONS  
VOLTAGE RATING: 300V AC/DC  
CURRENT RATING: 8 AMPS
4. PROTECTION: IP67
5. ASSEMBLY IS RoHS COMPLIANT BY EXEMPTION



115033B21MXXX

⑧ CABLE ASSY TYPE:  
MIN-CHANGE 5P  
FEMALE 90° TO  
MALE 90° EXT THD.

16AWG PUR  
GRAY

FINISHED LENGTH  
M005: 0.5 METERS  
M010: 1.0 METERS  
M100: 10.0 METERS

S1		P2
1	BLACK	1
2	BLUE	2
3	GREEN/YELLOW	3
4	BROWN	4
5	WHITE	5

WIRING DIAGRAM

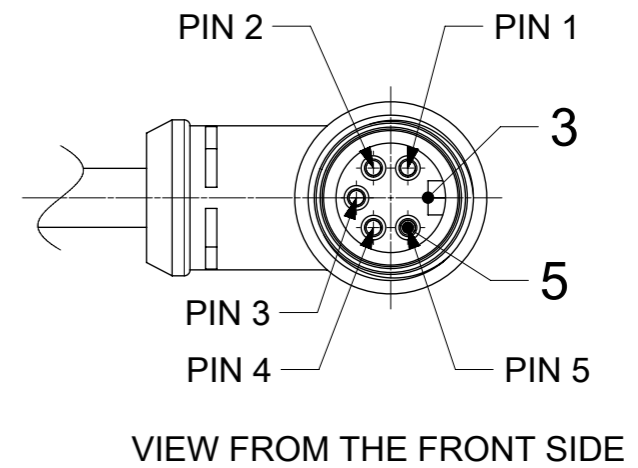
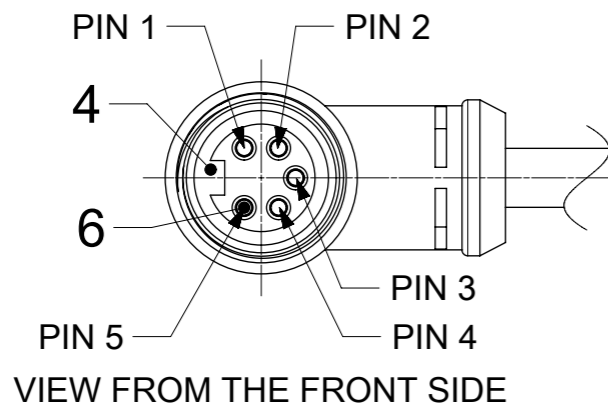
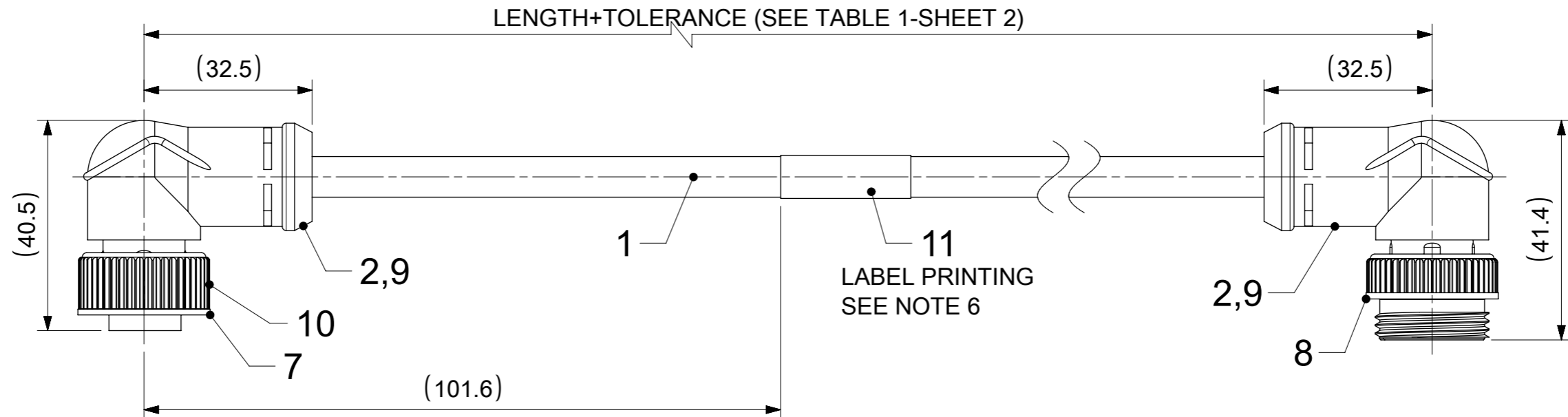
ITEM	QTY.	DESCRIPTION	MATERIAL	FINISH
9	1	WRAP LABEL	MYLAR	BLACK/YELLOW
8	2	OVERMOLD-90 DEG	PUR	BLACK
7	1	COUPLING RING-INT. THREAD	ZINC DIE-CAST	BLACK
6	5	CONTACT SOCKET	Cu ALLOY	GOLD PLATED
5	1	INSERT, 5P-FEMALE	PUR	BLACK
4	1	COUPLING RING-EXT. THREAD	ZINC DIE-CAST	BLACK
3	5	CONTACT PIN	Cu ALLOY	GOLD PLATED
2	1	INSERT, 5P-MALE	PUR	BLACK
1	A/R	CABLE 5/C, 1.5mm <sup>2</sup> (16 AWG)	PUR JACKET	GRAY

ADDED PART NO. MATRIX EC NO: IPG2016-1424 DRWNGGUSTAFSON 2016/04/20 CHKD:HZLEJINSKI 2016/05/12 APPR:BRUPERT 2016/04/28	QUALITY SYMBOLS ▽=0 ▽=0	GENERAL TOLERANCES (UNLESS SPECIFIED)		DIMENSION STYLE IN/MM		SCALE 1:1	DESIGN UNITS INCH	THIRD ANGLE PROJECTION			
		4 PLACES ± --- ± ---	3 PLACES ± --- ± ---	2 PLACES ± --- ± .01	1 PLACE ± 0.3 ± ---	0 PLACE ± --- ± ---	DRAWN BY RSTONE		DATE 2012/10/22		
		ANGULAR ± 2 °		APPROVED BY JFMURPHY		DATE 2012/12/18		TITLE MINI-CHANGE CABLE ASSY. 5P MALE/FEMALE 90 DEG (16 AWG) PUR <b>molex</b>			
		DRAFT WHERE APPLICABLE MUST REMAIN WITHIN DIMENSIONS				MATERIAL NO. -----					
THIS DRAWING CONTAINS INFORMATION THAT IS PROPRIETARY TO MOLEX INCORPORATED AND SHOULD NOT BE USED WITHOUT WRITTEN PERMISSION											

NOTES:

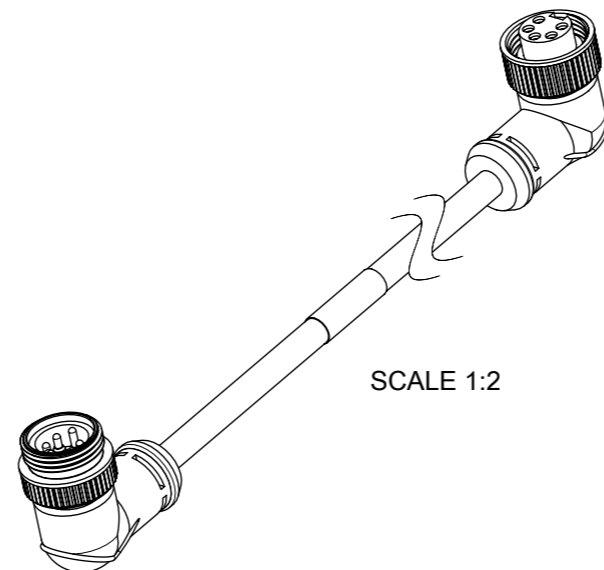
1. MATERIAL: AS NOTED
2. FINISH: AS NOTED
3. ELECTRICAL:  
CABLE TYPE (SEE SHEET 2)  
CURRENT: 10 A
4. PROTECTION: IP67 (WHEN MATED)
5. UL CERTIFICATION: UL LISTED, FILE NO. E152210
6. LABEL PRINTING ACC. STANDARD LABEL INSTRUCTION (SEE SHEET 2)

WIRING DIAGRAM



BILL OF MATERIAL

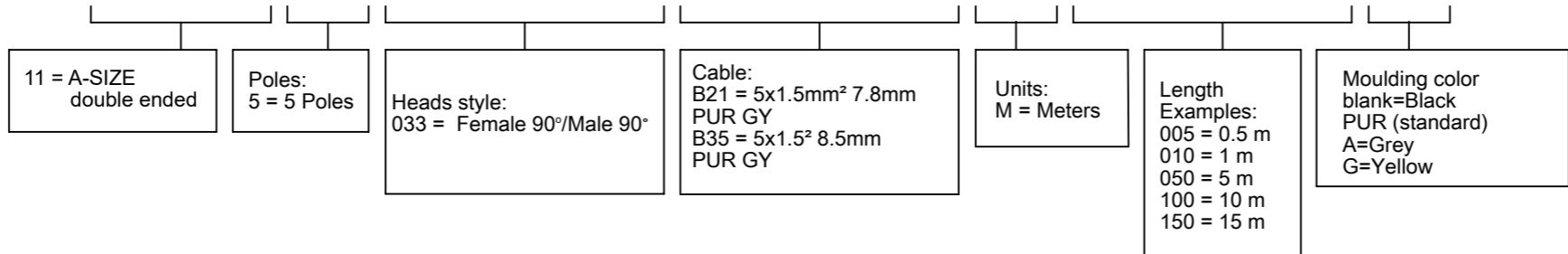
ITEM	QTY	DESCRIPTION	MATERIAL	FINISH/COLOR
11	1	LABEL;2.0X1.75;WRAP	VINYL	YELLOW
10	1	FRICTION RING - A SIZE	NYLON	-
9	-	TAPE;0.165MMx9MM	POLYSILOXANE	WHITE
8	1	MC COUPLING NUT A-SIZE	ZINC	BLACK
7	1	COUPLING NUT MC A-SIZE EXT. THD	ZINC	BLACK
6	5	MC SOCKET SLEEVE ASSY, 16 AWG	BRASS	GOLD
5	5	MC PIN CONTACT 16AWG	BRASS	GOLD
4	1	5P FEMALE INSERT A SIZE	PUR	BLACK
3	1	5P MALE INSERT A SIZE	PUR	BLACK
2	-	MOULDING MATERIAL	TPU	BLACK
1	-	CABLE 5/C, OD=8.5mm	TPU	GRAY



FUNCTIONAL SYMBOLS	THIS DRAWING CONTAINS INFORMATION THAT IS PROPRIETARY TO MOLEX ELECTRONIC TECHNOLOGIES, LLC AND SHOULD NOT BE USED WITHOUT WRITTEN PERMISSION			
	THIS DRAWING CONTAINS INFORMATION THAT IS PROPRIETARY TO MOLEX ELECTRONIC TECHNOLOGIES, LLC AND SHOULD NOT BE USED WITHOUT WRITTEN PERMISSION	SCALE		
△/A = 0	mm	1:1	DRWN: RSCHIEBER	2023/04/21
△/E = 0	GENERAL TOLERANCES (UNLESS SPECIFIED)		CHK'D: RSILLER	2023/04/27
△/V = 0	ANGULAR TOL ± 1.0°		APPR: RSILLER	2023/04/27
DIVISIONAL SYMBOLS	4 PLACES	±	INITIAL REVISION:	
	3 PLACES	±	DRWN: RSTONE	2013/12/09
	2 PLACES	± 0.05	APPR: JFMURPHY	2013/12/16
	1 PLACE	± 0.3	THIRD ANGLE PROJECTION	
0 PLACES	± 0.5	DRAWING		
DRAFT WHERE APPLICABLE MUST REMAIN WITHIN DIMENSIONS			SERIES	MATERIAL NUMBER
		A3-SIZE	130010	SEE TABLE 1
		CUSTOMER	GENERAL MARKET	DOC TYPE
				PSD
				DOC PART
				001
				REVISION
				A3
				SHEET NUMBER
				1 OF 2

PART No. MATRIX

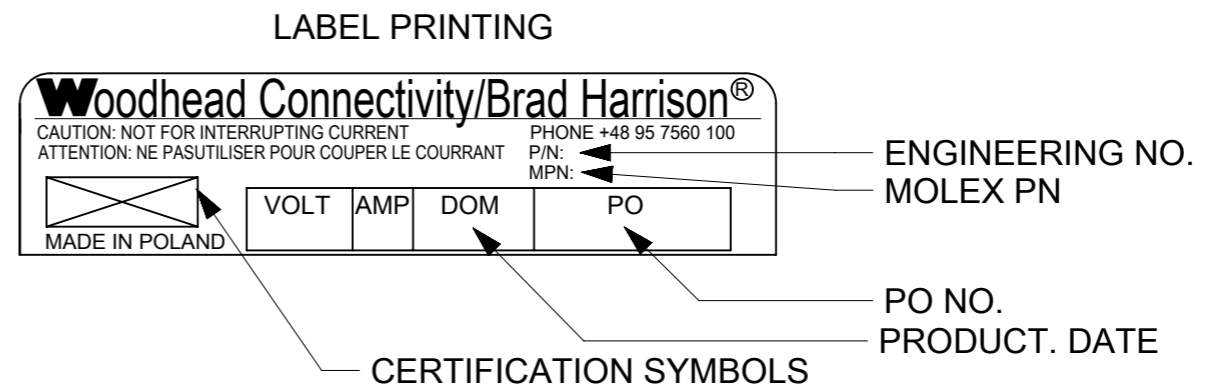
1 1 5 0 3 3 B X X M X X X X



CABLE TYPE	No. OF WIRES	CROSS SECTION	CABLE JACKET	UL	CSA	STATIC: TEMP. / BENDING RADIUS	DYNAMIC: TEMP / BENDING RADIUS	VOLTAGE
B21	5	1.5 mm <sup>2</sup>	TPU GREY	UL STYLE 758	C22.2	-40°C to + 80°C	-5 °C TO +80 °C	300 V
B35	5	1.5 mm <sup>2</sup>	TPU GREY	UL STYLE 758	C22.2	-40°C to + 90°C	-25 °C TO +80 °C	600 V

TABLE 1

MOLEX PN	ENGINEERING NO.	L+Tol.[mm]
1300108036	115033B21M010	1000 +56
1300108037	115033B21M020	2000 +89
1300108038	115033B21M030	3000 +89
1300108039	115033B21M050	5000 +165
1300108040	115033B21M100	10000 +317
1300108041	115033B21M150	15000 +610
1300108042	115033B21M200	20000 +610
1300108051	115033B35M010	1000 +56
1300108052	115033B35M020	2000 +89
1300108053	115033B35M030	3000 +89
1300108054	115033B35M050	5000 +165
1300108055	115033B35M100	10000 +317
1300108056	115033B35M150	15000 +610
1300108057	115033B35M200	20000 +610



FUNCTIONAL SYMBOLS	THIS DRAWING CONTAINS INFORMATION THAT IS PROPRIETARY TO MOLEX ELECTRONIC TECHNOLOGIES, LLC AND SHOULD NOT BE USED WITHOUT WRITTEN PERMISSION	<b>molex</b>		
	GENERAL TOLERANCES (UNLESS SPECIFIED)			CSE MC 5P A-SIZE FE RA MA RA TPU XM
	4 PLACES ±	EC NO: 747270	PRODUCT CUSTOMER DRAWING	
	3 PLACES ±	DRWN: RSCHIEBER 2023/04/21	DOCUMENT NUMBER	
DIVISIONAL SYMBOLS	2 PLACES ± 0.05	CHK'D: RSILLER 2023/04/27	SD-130010-031	DOC TYPE
1 PLACE ± 0.3	1 PLACE ± 0.3	APPR: RSILLER 2023/04/27	PSD	DOC PART
0 PLACES ± 0.5	INITIAL REVISION:	DRWN: RSTONE 2013/12/09	001	REVISION
DRAFT WHERE APPLICABLE MUST REMAIN WITHIN DIMENSIONS	THIRD ANGLE PROJECTION	APPR: JFMURPHY 2013/12/16	A3	
	DRAWING	SERIES	MATERIAL NUMBER	CUSTOMER
	A3-SIZE	130010	SEE TABLE 1	GENERAL MARKET
				SHEET NUMBER
				2 OF 2