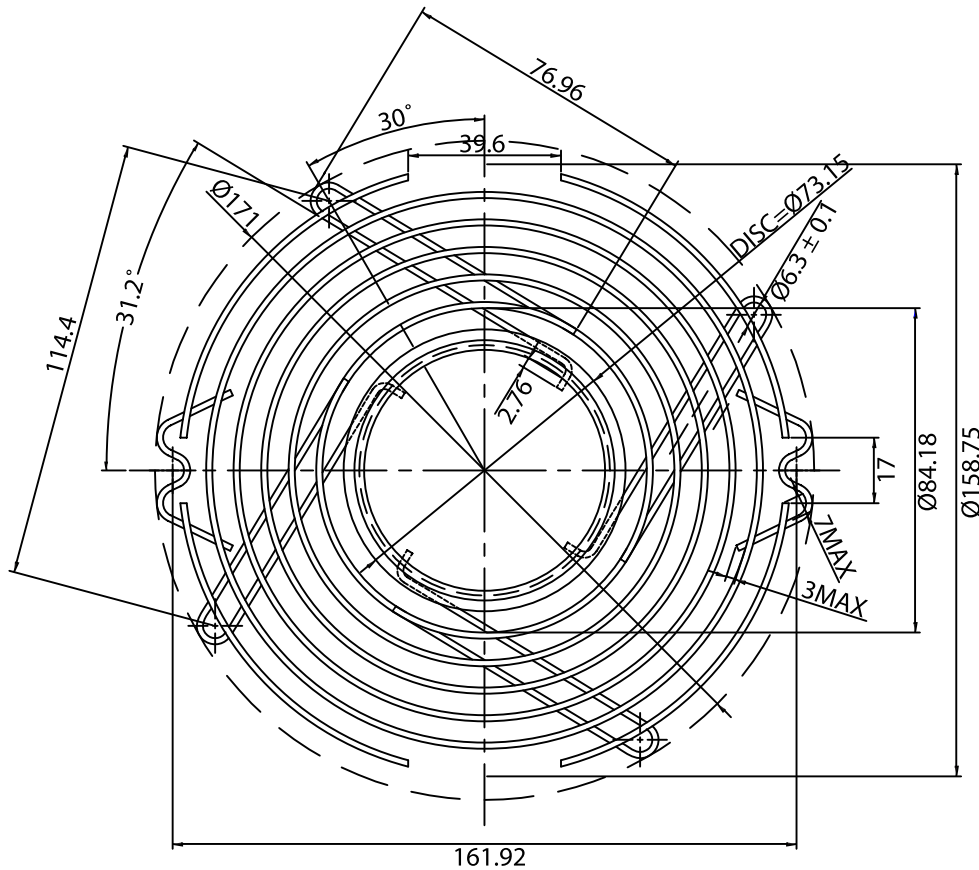


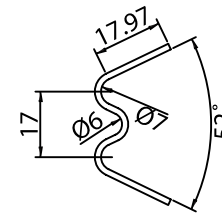
THESE DRAWINGS ARE THE PROPERTY OF QUALTEK ELECTRONICS AND NOT TO BE REPRODUCED FOR OR COMMUNICATED TO A THIRD PARTY WITHOUT THE EXPRESS WRITTEN PERMISSION OF AN OFFICER OF QUALTEK ELECTRONICS.

REVISION			
REV.	DESCRIPTION	DATE	APPROVED

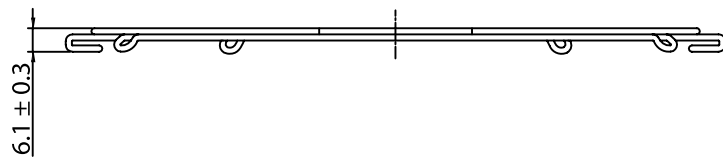


NOTES:

1. MATERIAL: C1008 BRIGHT BASIC WIRE
2. FINISH: BRIGHT NICKEL CHROME PLATING
3.  $0.35 \pm 0.05$  DEPTH OF SERRATIONS ON WIRE
4. RING:  $\varnothing 1.6 \pm 0.1$  mm  
RIB:  $\varnothing 1.6 \pm 0.1$  mm  
DISC= $73.15$  T= $0.8$
5. GENERAL TOLERANCE UNLESS NOTED IS  $\pm 0.5$  mm
6. RoHS COMPLIANT



**CONTROLLED**



Dim range (mm)		Tolerance +/- (mm)		Qualtek Electronics Corp. FAN-S DIVISION		
0-5	0.1	Part Number: 08151		RoHS Compliant		
5-16	0.15	Description: WIRE FORM FAN GUARD (150mm)				
16-64	0.2	UNIT: mm				
64-250	0.4	Drawn / Date	Checked / Date	Approved / Date		
250-1000	0.5	R.Nuti 01-29-09	01-29-09	LY / 01-29-09		
1000-1500	1.0					