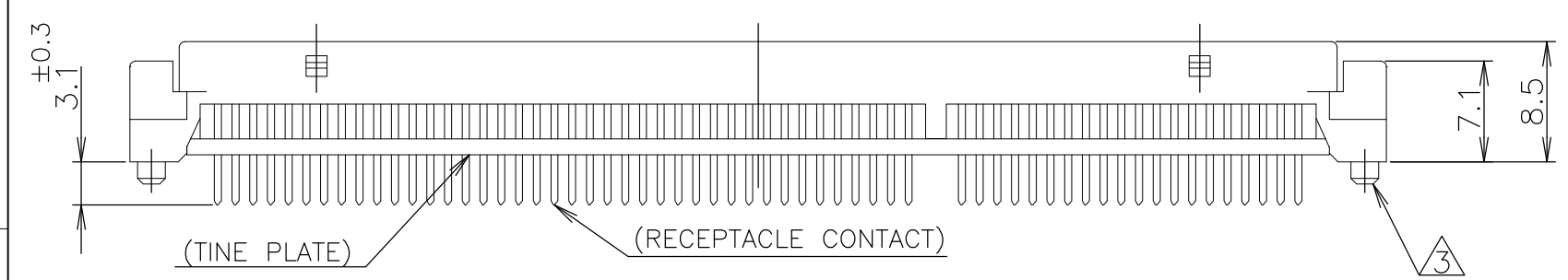
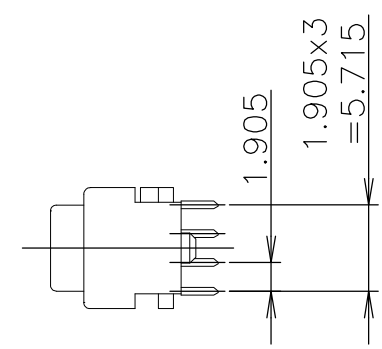
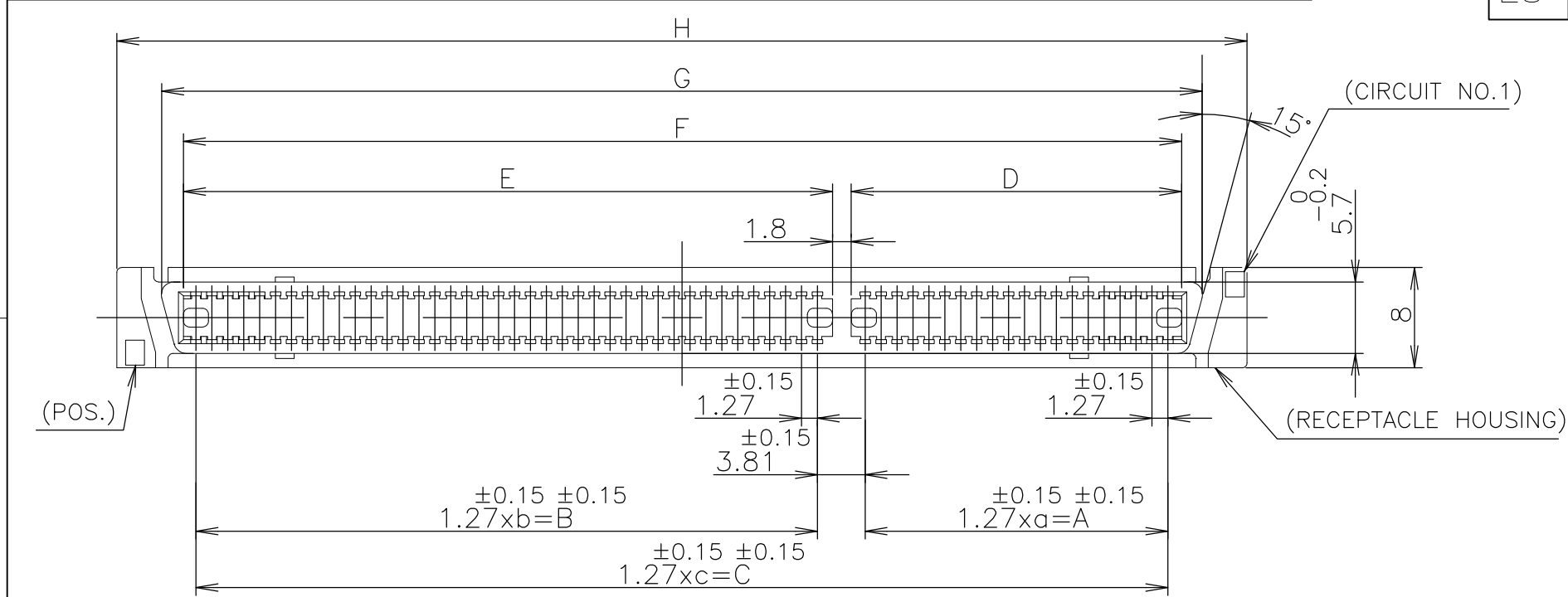
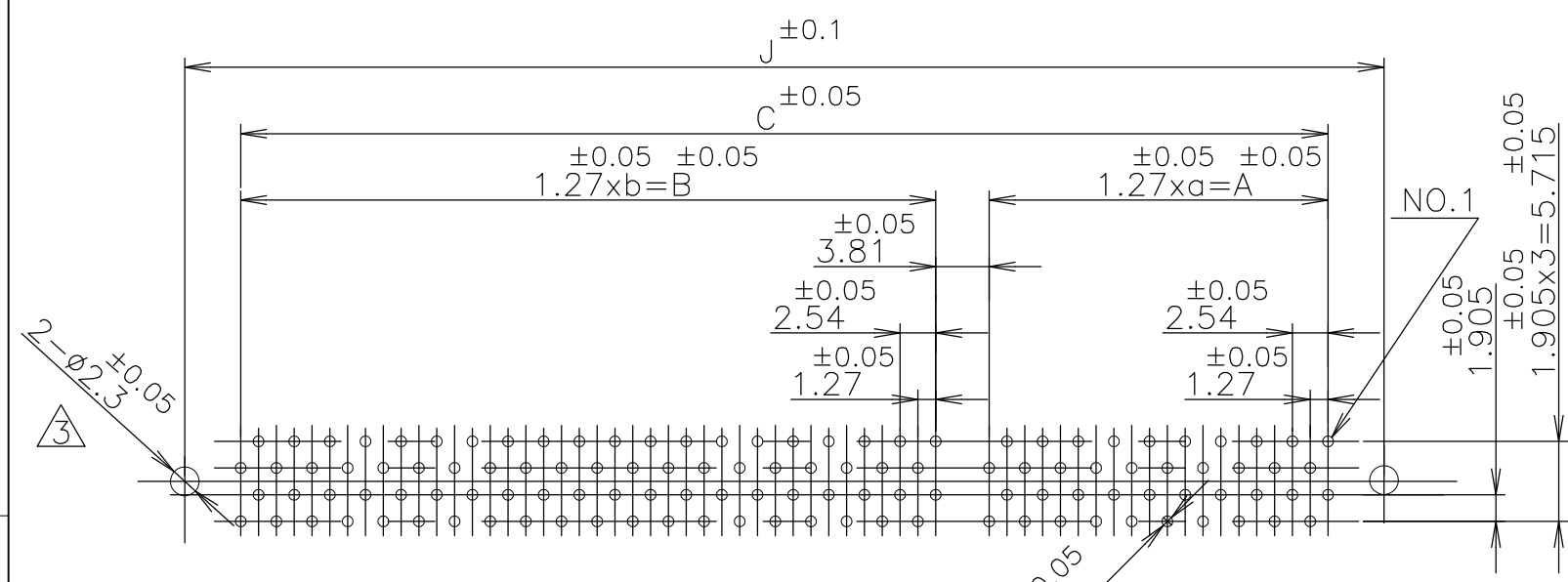


THIS DRAWING IS UNPUBLISHED. RELEASED FOR PUBLICATION AUG, 1989.
 © COPYRIGHT 1989 By - ALL RIGHTS RESERVED.

LOC	DIST	REVISIONS					
ES	00	P	LTR	DESCRIPTION	DATE	DWN	APVD
		A		REVISED ECR-12-013273	27MAR13	KR	E.T



- ① MATERIAL: HOUSING: GLASS FILLED 66NYLON (UL94V-0) BLACK
CONTACT: PHOSPHOR-BRONZE
- ② FINISH: CONTACT: 0.0003 MIN. Au AT CONTACT AREA,
0.001 MIN. TIN AT TINE, OVER Ni
- ③ BOSS FOR POSITIONING: P/N -1, -2, -3, -4
- ④ OBSOLETE



49	62.23	64.23	67.32	74.85	72.2	0.00076	100	2	④	-4				
39	49.53	62.23	115.57	51.53	64.23	117.57	120.66	128.19	125.54	0.0003	180	④	-8	
29	36.83	39	49.53	90.17	38.83	51.53	92.17	95.26	102.79	100.14	0.0003	140	-6	
19	24.13	39	49.53	77.47	26.13	51.53	79.47	82.56	90.09	87.44	0.0003	120	-5	
49	62.23	64.23	67.32	74.85	72.2	0.0003	100	-4						
39	49.53	51.53	54.62	62.15	59.5	0.0003	80	-3						
29	36.83	38.83	41.92	49.45	46.8	0.0003	60	-2						
19	24.13	26.13	29.22	36.75	34.1	0.0003	40	5176371-1						
a	A	b	B	c	C	D	E	F	G	H	J	THK OF GOLD	POS.	P/N

P.C. BOARD LAYOUT
(CONNECTOR MOUNT SIDE)

LEAD FREE

GENERAL TOLERANCE
 10 ≥ : ±0.2
 30 ≥ > 10: ±0.25
 100 ≥ > 30: ±0.3
 ANGLES: ±3°

THIS DRAWING IS A CONTROLLED DOCUMENT.

DIMENSIONS: 單位: 耗 mm

TOLERANCES UNLESS OTHERWISE SPECIFIED: 一般公差

0 PLC ± -
 1 PLC ± -
 2 PLC ± -
 3 PLC ± -
 4 PLC ± -
 ANGLES ± -

MATERIAL 材料 ①

FINISH 仕上 ②

DWN Roy Hao 31Aug04
 CHK STEVEN YAO 31Aug04
 APVD I.ENOMOTO 31Aug04

NAME 名称
 AMP FH CONNECTOR RECEPTACLE (VERTICAL)
 11mm STACKING

SIZE A3 CAGE CODE 00779 DRAWING NO 番号 C-5176371 RESTRICTED TO -

CUSTOMER DRAWING SCALE 尺度 2:1 SHEET 1 OF 1 REV A