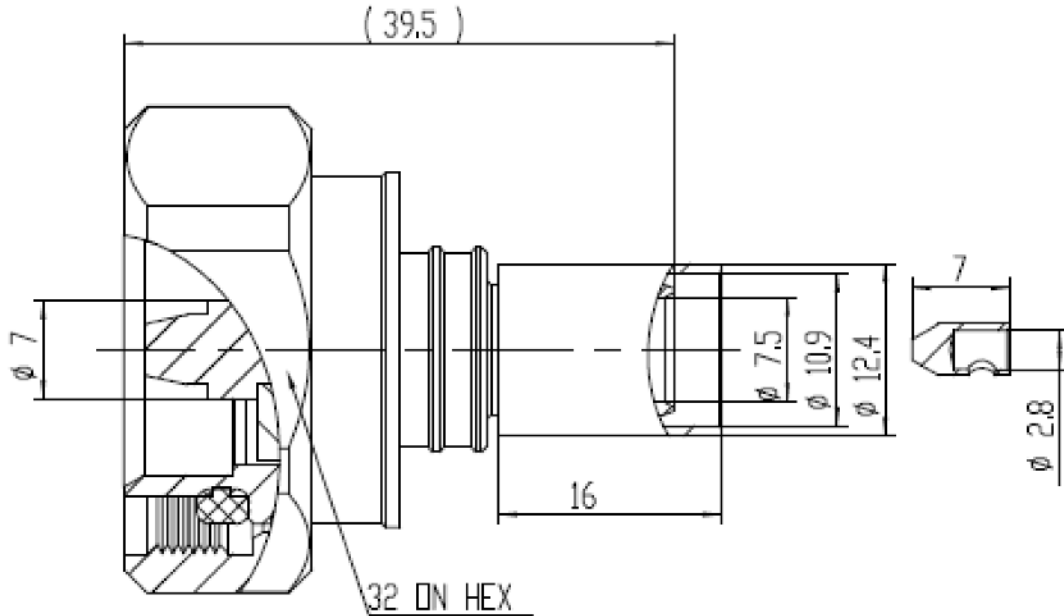


NOTICE OF PROPRIETARY RIGHTS THIS DOCUMENT CONTAINS CONFIDENTIAL TECHNICAL DATA, INCLUDING TRADE SECRETS, PROPRIETARY TO TIMES MICROWAVE SYSTEMS. DISCLOSURE OF THIS DATA IS EXPRESSLY CONDITIONED UPON YOUR ASSENT THAT ITS USE IS LIMITED TO USE WITHIN YOUR COMPANY ONLY. ANY OTHER USE IS STRICTLY PROHIBITED WITHOUT THE PRIOR WRITTEN CONSENT OF TIMES MICROWAVE SYSTEMS.

SYM	REVISION DESCRIPTION	DFTM	DATE	APPD	DATE
A	RELEASED FOR PRODUCTION	K.A.M.	10/13/10	J.D.B.	10/18/10
B	CHANGED PER CDC #37110	N.N.N	2/21/13	J.D.B	2/21/13
C	CHANGED PER CDC #42268	N.N.N	5/21/15	J.D.B	5/27/15



REFERENCE STANDARD IEC61169-4
 1. ELECTRIC PERFORMANCE
 NOMINAL IMPEDANCE(Ω) 50
 FREQUENCY RANGE DC-6GHz
 VSWR ≤ 1.30
 INSERT LOSS $\leq 0.05(0-3G)$
 INSULATION RESISTANCE(M Ω) ≥ 10000
 PROOF VOLTAGE(V) 2500
 CONTACT RESISTANCE(m Ω) OUTER CONDUCTOR <0.2
 INNER CONDUCTOR<0.8

2. MECHANICAL PERFORMANCE
 NUT TORQUE 25N.m
 (NUT)WHORL PULL 1000N
 TENSILE FORCE(CABLE-CONNECTOR) 400N
 TORSION(CABLE-CONNECTOR) 2N.m

3. MATERIAL AND PLATING
 INNER CONDUCTOR SPRING COPPER
 OUTER CONDUCTOR BRASS
 NUT BRASS
 FERRULE COPPER
 INSULATOR PTFE
 O-RING SILICONE RUBBER

4. ENVIRONMENT
 TEMP.RANGE -40 $^{\circ}$ C~+85 $^{\circ}$ C
 WEATHER STANDARD IEC 60068 40 / 085/ 21
 THERMAL SHOCK IEC 60068 -2-14-Na
 VIBRATION IEC 60068-2-6-Fc
 SHOCK IEC 60068-2-27
 WATERPROOFING STANDARD IP67
 ROHS COMPLIANT

5.ASSEMBLY: INNER CONDUCTOR INSTALLED AND OUTER CONDUCTOR CRIMPED

MATERIAL:	UNLESS OTHERWISE SPECIFIED	DFTM. K. A. M.	TIMES MICROWAVE SYSTEMS				
	ALL DIMENSIONS ARE IN mm	DATE 10/13/10					
USED ON:	TOLERANCES: .X = ± 0.2 .XX = ± 0.1	CHKD. J. D. B.	CONNECTOR, TC-400-716M-X				
		DATE 10/18/10	7/16 MALE				
		APPD. J. D. B.	FOR LMR400 CABLE				
SCALE: ~	DWG. SIZE A	DO NOT SCALE DRAWING	CODE IDENT 68999	DATE 10/18/10	SHEET 1 of 1	SD3190-2597	REV C